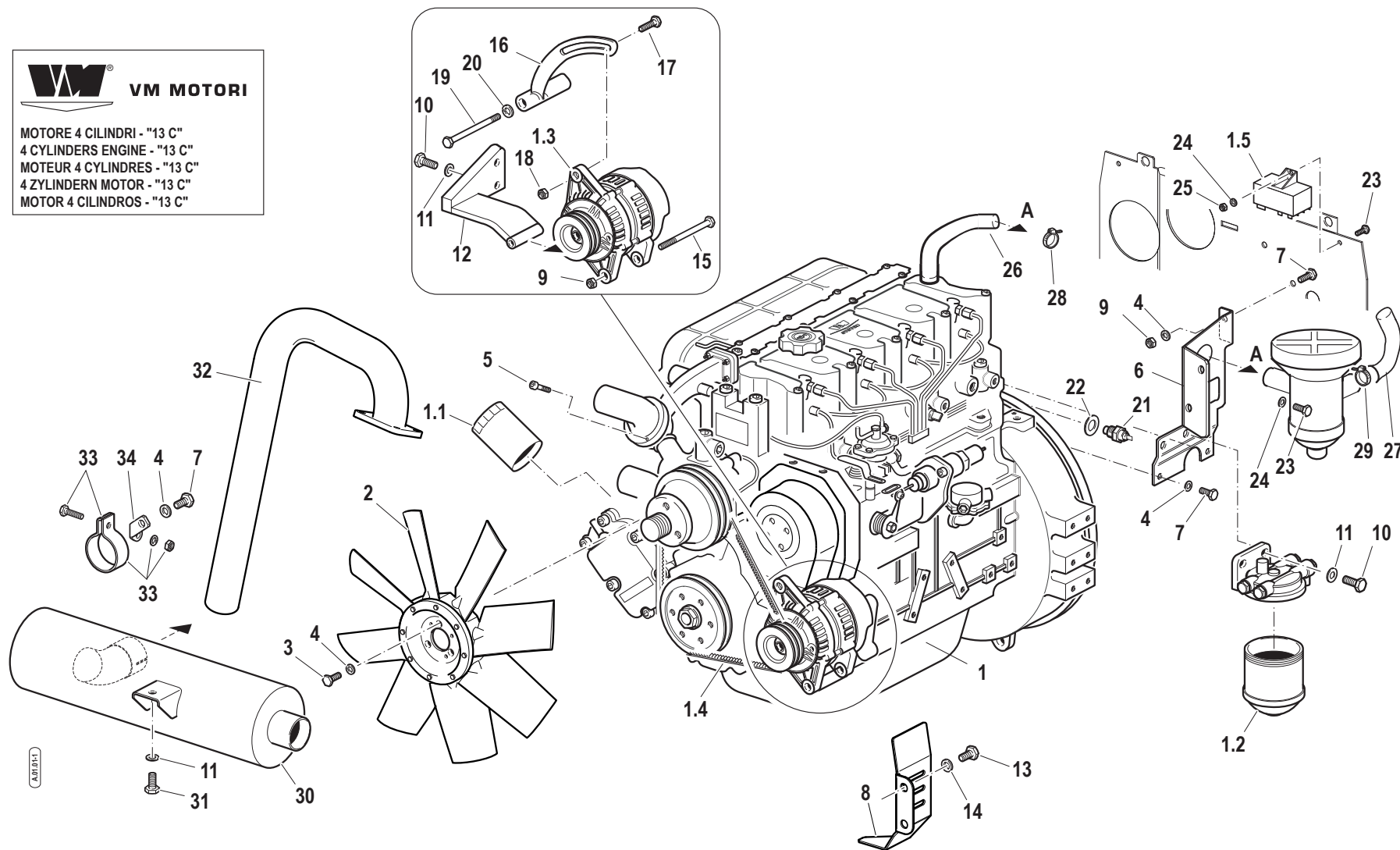


Inhoudsopgave

Bumper & Motorkap Sluiting	40
Cabine Frame	108
Eindvertraging Wiel	64
Gaskabels Hand & Voetgas	20
Hef Driepunt Standaard	100
Hef Driepunt met Slekoppelingen	102
Hef Driepunt met verstelling	106
Hydrauliek	90
Hydrauliek Systeem (Dubbel)	78
Hydrauliek Ventielen	80
Joystick	86
Knikstuk	50
Koppeling & Koppelings Plaat	54
Koppelings Pedaal	58
LuchtfILTER 75 CV	30
LuchtfILTER 85 CV & 95 CV	34
Motor VM 13 C	2
Motor VM 33 C	10
Motor VM 77 B	6
PTO Tandwielen & Koppeling	66
Radiator & Slangen 75 CV	22
Radiator & Slangen 85 CV & 95 CV	26
Rem Pedalen & Rempompen	72
Schakelpoken & Gaffels	60
Tank	38
Voor Aandrijving	74
Zittingen	42

VM MOTORI

MOTORE 4 CILINDRI - "13 C"
 4 CYLINDERS ENGINE - "13 C"
 MOTEUR 4 CYLINDRES - "13 C"
 4 ZYLINDER MOTOR - "13 C"
 MOTOR 4 CILINDROS - "13 C"



Pos.	Code	Q.ty	Description	Notes
1	41U50000	1	MOT.VM D754E2.21A 47KW 13C/4	
1.1	58171199	1	OIL FILTER CARTRIDGE	
1.2	58171200	1	FUEL FILTER CARTRIDGE	
1.3	59900344	1	ALTERNATOR	
1.4	59900766	1	BELT	
1.5	59900345	1	CENTRAL PROCESSING UNIT	
2	57376726	1	FAN	
3	31112150	3	SCREW TE M8X20 UNI 5739 8G	
4	F0843643060	7	WASHER 8	
5	F0862479035	1	SCREW M6X16 7380	
6	59079167	1	RETAINER	
7	31111151	4	SCREW TE M8X16 UNI 5739 8G	
8	56177979	1	SHIELD	
9	31211080	2	NUT M8	
10	31112219	5	SCREW TE M10X25 UNI 5739	
11	F0843755000	6	WASHER 10	
12	59077318	1	SUPPORT	
13	31112082	2	SCREW TE M6X12 UNI 5739 8G	
14	31411064	2	WASHER 6,4x12,5	
15	31112174	1	SCREW TE M8X110 UNI 5737 8.8	
16	59076688	1	ROD	
17	31112153	1	SCREW TE M8X35 UNI 5739 8G	
18	31421083	1	WASHER	
19	F0864335020	1	SCREW M14X120 UNI 5737	
20	31421251	1	WASHER	
21	58175773	1	ELECTRONICAL THERMOMETER	
22	F0844030070	1	COPPER WASHER 16,0x22/1,5	
23	31112090	2	SCREW TE M6X16 UNI 5739 8G	
24	F0843570000	2	WASHER 6	
25	31211060	2	NUT M6	
26	55176744	1	PIPE	
27	58177400	1	OIL PIPE	
28	F0817500400	3	CLAMP 024,1-706R	
29	F0817500200	1	CLAMP 015,7-706R	

SERIAL

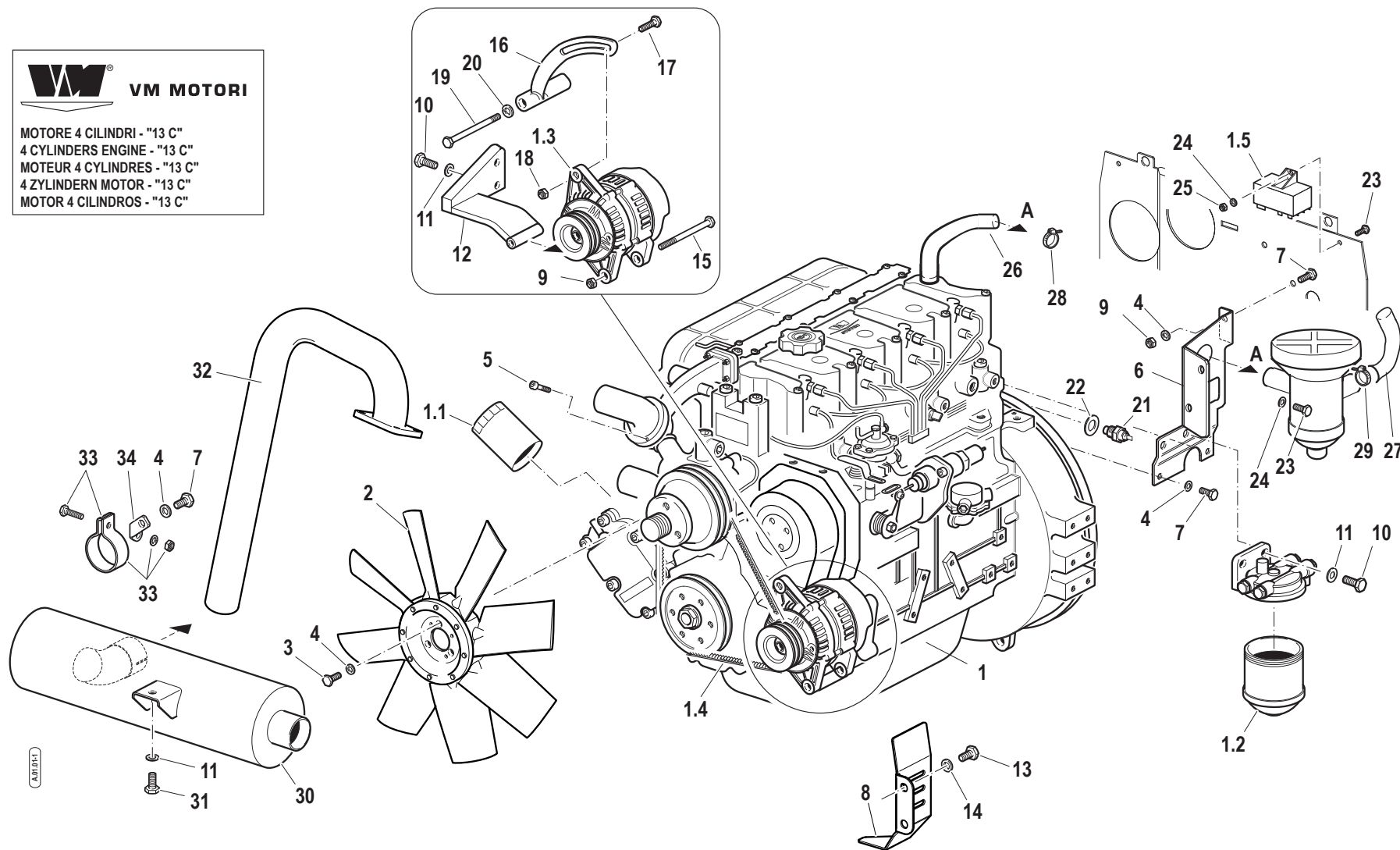
ENGINE
Engine: 75 CV

CODE REV

A.01.01_1_47605

VM MOTORI

MOTORE 4 CILINDRI - "13 C"
 4 CYLINDERS ENGINE - "13 C"
 MOTEUR 4 CYLINDRES - "13 C"
 4 ZYLINDER MOTOR - "13 C"
 MOTOR 4 CILINDROS - "13 C"



Pos.	Code	Q.ty	Description	Notes
30	58176618	1	EXHAUST SILENCER	
31	31112210	1	SCREW TE M10X20 UNI 5739	
32	59076620	1	EXHAUST	
33	58175121	1	COLLAR	
34	56177183	1	REINFORCED STRAP	
35	59077480	1	GUARD	
36	F0838384000	2	STUD BOLT M10X25 UNI 5911 8.8	
37	31215100	2	NUT M10	

SERIAL

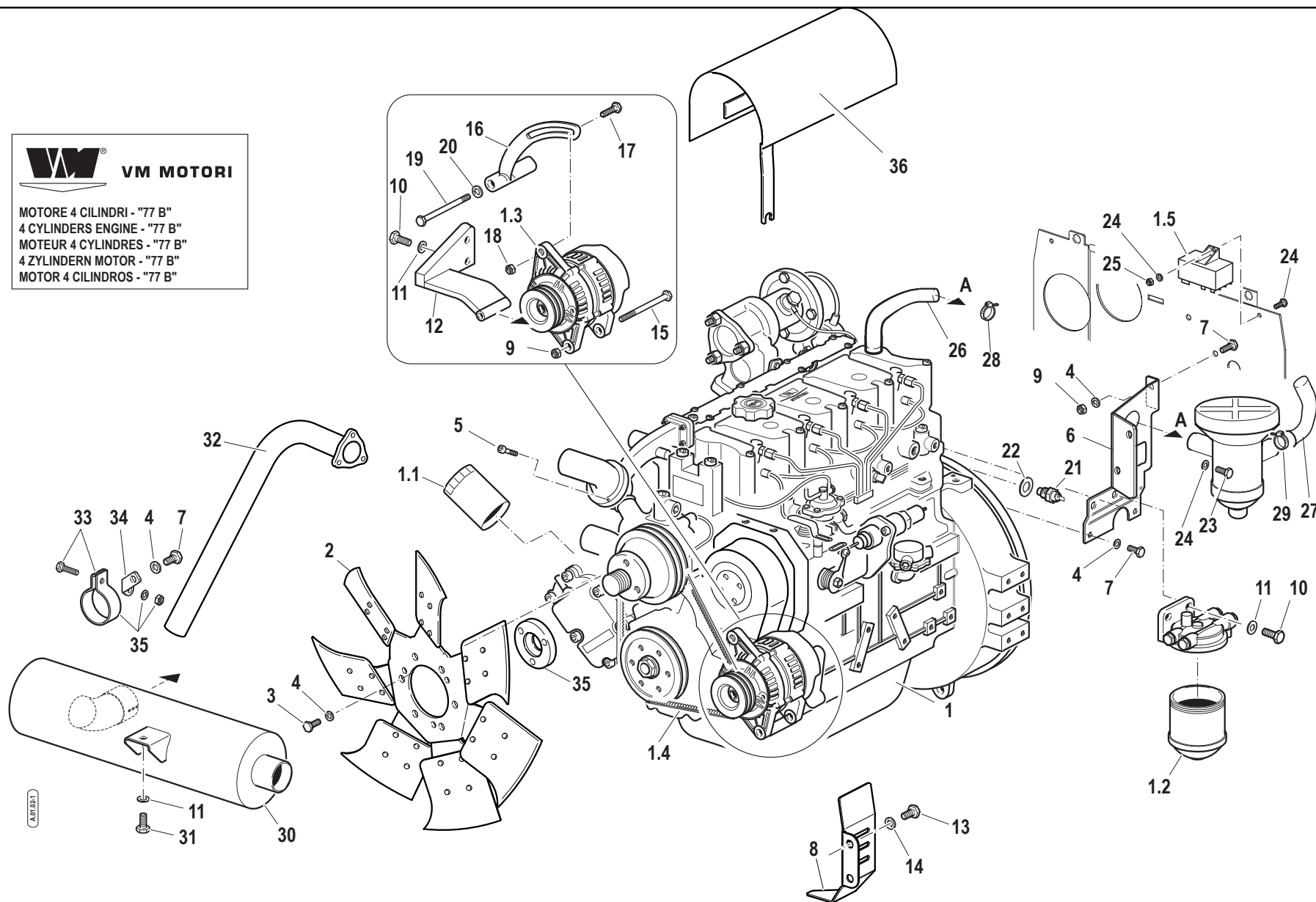
ENGINE
Engine: 75 CV

CODE REV

A.01.01_1_47605

VM MOTORI

MOTORE 4 CILINDRI - "77 B"
 4 CYLINDERS ENGINE - "77 B"
 MOTEUR 4 CYLINDRES - "77 B"
 4 ZYLINDER MOTOR - "77 B"
 MOTOR 4 CILINDROS - "77 B"



Pos.	Code	Q.ty	Description	Notes
1	41U60000	1	MOT.VM D704TE2.21A 60KW 77B/4	
1.1	58171199	1	OIL FILTER CARTRIDGE	
1.2	58171200	1	FUEL FILTER CARTRIDGE	
1.3	59900344	1	ALTERNATOR	
1.4	59900766	1	BELT	
1.5	59900345	1	CENTRAL PROCESSING UNIT	
2	58178646	1	FAN	
3	F0862694000	3	SCREW M8X170 UNI 5737	
4	F0843643060	7	WASHER 8	
5	F0862479035	1	SCREW M6X16 7380	
6	59079167	1	RETAINER	
7	31111151	4	SCREW TE M8X16 UNI 5739 8G	
8	56177979	1	SHIELD	
9	31211080	2	NUT M8	
10	31112219	5	SCREW TE M10X25 UNI 5739	
11	F0843755000	6	WASHER 10	
12	59077318	1	SUPPORT	
13	31112082	2	SCREW TE M6X12 UNI 5739 8G	
14	31411064	2	WASHER 6,4x12,5	
15	31112174	1	SCREW TE M8X110 UNI 5737 8.8	
16	59076688	1	ROD	
17	31112153	1	SCREW TE M8X35 UNI 5739 8G	
18	31421083	1	WASHER	
19	F0864335020	1	SCREW M14X120 UNI 5737	
20	31421251	1	WASHER	
21	58175773	1	ELECTRONICAL THERMOMETER	
22	F0844030070	1	COPPER WASHER 16,0x22/1,5	
23	31112090	2	SCREW TE M6X16 UNI 5739 8G	
24	F0843570000	2	WASHER 6	
25	31211060	2	NUT M6	
26	55176744	1	PIPE	
27	58177400	1	OIL PIPE	
28	F0817500400	3	CLAMP 024,1-706R	
29	F0817500200	1	CLAMP 015,7-706R	

SERIAL

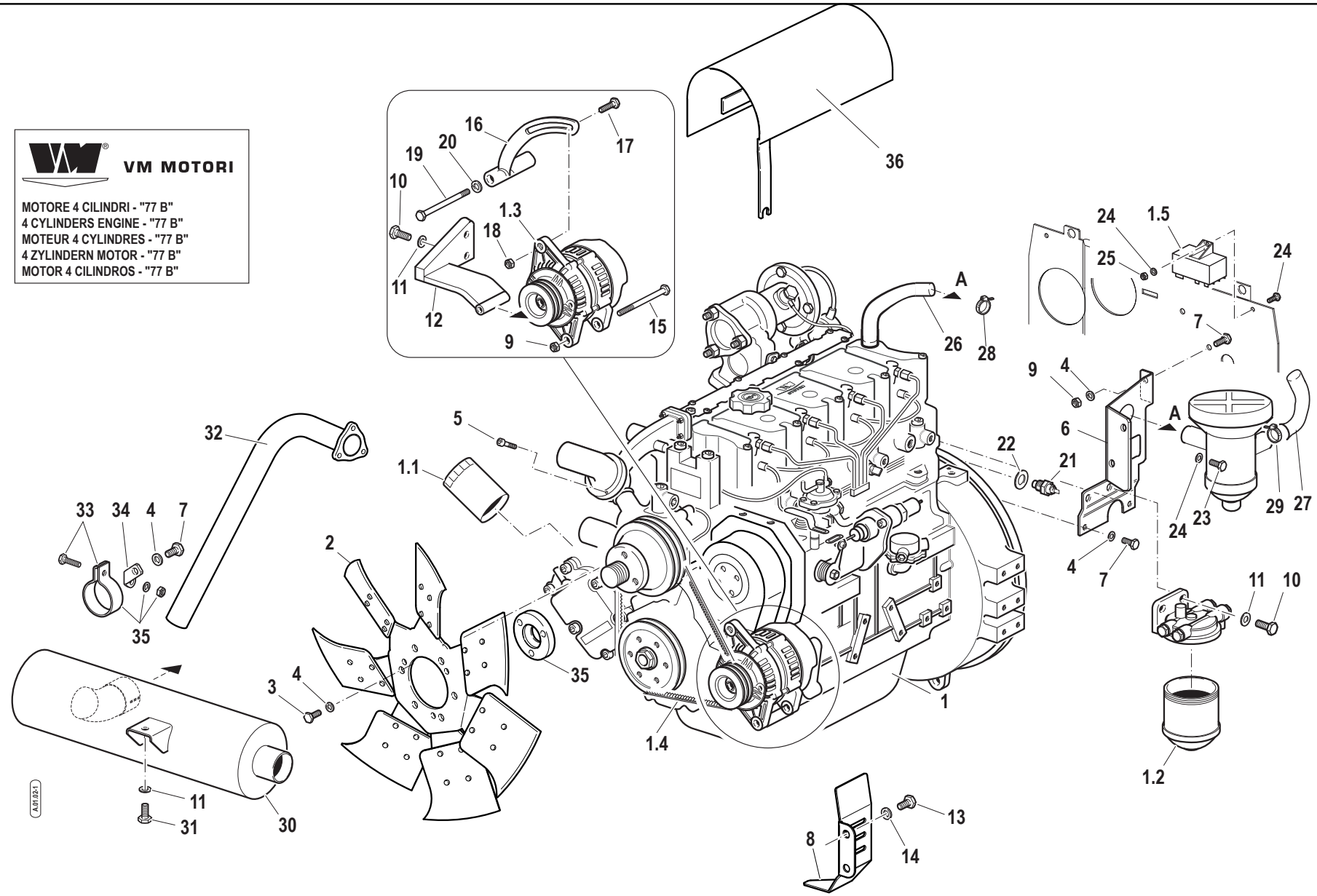
ENGINE
Engine: 85 CV

CODE REV

A.01.02_1_47648

VM MOTORI

MOTORE 4 CILINDRI - "77 B"
 4 CYLINDERS ENGINE - "77 B"
 MOTEUR 4 CYLINDRES - "77 B"
 4 ZYLINDER MOTOR - "77 B"
 MOTOR 4 CILINDROS - "77 B"



Pos.	Code	Q.ty	Description	Notes
30	58176618	1	EXHAUST SILENCER	
31	31112210	1	SCREW TE M10X20 UNI 5739	
32	59076619	1	EXHAUST	
33	58175121	1	COLLAR	
34	56177183	1	REINFORCED STRAP	
35	56178649	1	SPACER	
36	59076682	1	GUARD	
37	58077484	1	LINING	
38	F0838384000	2	STUD BOLT M10X25 UNI 5911 8.8	
39	31215100	2	NUT M10	

SERIAL

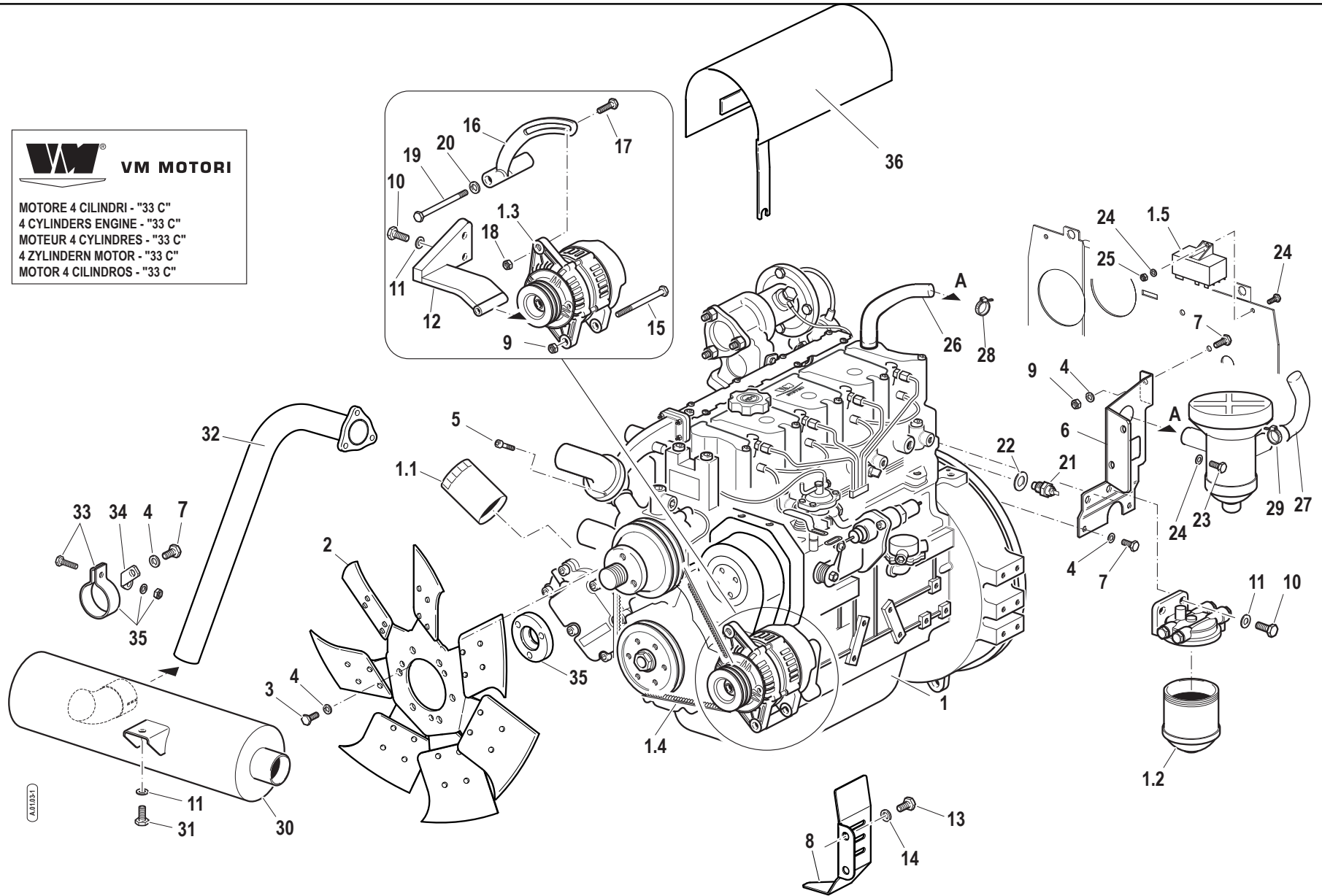
ENGINE
Engine: 85 CV

CODE REV

A.01.02_1_47648

VM MOTORI

MOTORE 4 CILINDRI - "33 C"
 4 CYLINDERS ENGINE - "33 C"
 MOTEUR 4 CYLINDRES - "33 C"
 4 ZYLINDER MOTOR - "33 C"
 MOTOR 4 CILINDROS - "33 C"



Pos.	Code	Q.ty	Description	Notes
1	41U70000	1	MOT.VM D754TE2.21A 67KW 33C/4	
1.1	58171199	1	OIL FILTER CARTRIDGE	
1.2	58171200	1	FUEL FILTER CARTRIDGE	
1.3	59900344	1	ALTERNATOR	
1.4	59900766	1	BELT	
1.5	59900345	1	CENTRAL PROCESSING UNIT	
2	58178646	1	FAN	
3	F0862694000	3	SCREW M8X170 UNI 5737	
4	F0843643060	7	WASHER 8	
5	F0862479035	1	SCREW M6X16 7380	
6	59079167	1	RETAINER	
7	31111151	4	SCREW TE M8X16 UNI 5739 8G	
8	56177979	1	SHIELD	
9	31211080	2	NUT M8	
10	31112219	5	SCREW TE M10X25 UNI 5739	
11	F0843755000	6	WASHER 10	
12	59077318	1	SUPPORT	
13	31112082	2	SCREW TE M6X12 UNI 5739 8G	
14	31411064	2	WASHER 6,4x12,5	
15	31112174	1	SCREW TE M8X110 UNI 5737 8.8	
16	59076688	1	ROD	
17	31112153	1	SCREW TE M8X35 UNI 5739 8G	
18	31421083	1	WASHER	
19	F0864335020	1	SCREW M14X120 UNI 5737	
20	31421251	1	WASHER	
21	58175773	1	ELECTRONICAL THERMOMETER	
22	F0844030070	1	COPPER WASHER 16,0x22/1,5	
23	31112090	2	SCREW TE M6X16 UNI 5739 8G	
24	F0843570000	2	WASHER 6	
25	31211060	2	NUT M6	
26	55176744	1	PIPE	
27	58177400	1	OIL PIPE	
28	F0817500400	3	CLAMP 024,1-706R	
29	F0817500200	1	CLAMP 015,7-706R	

SERIAL

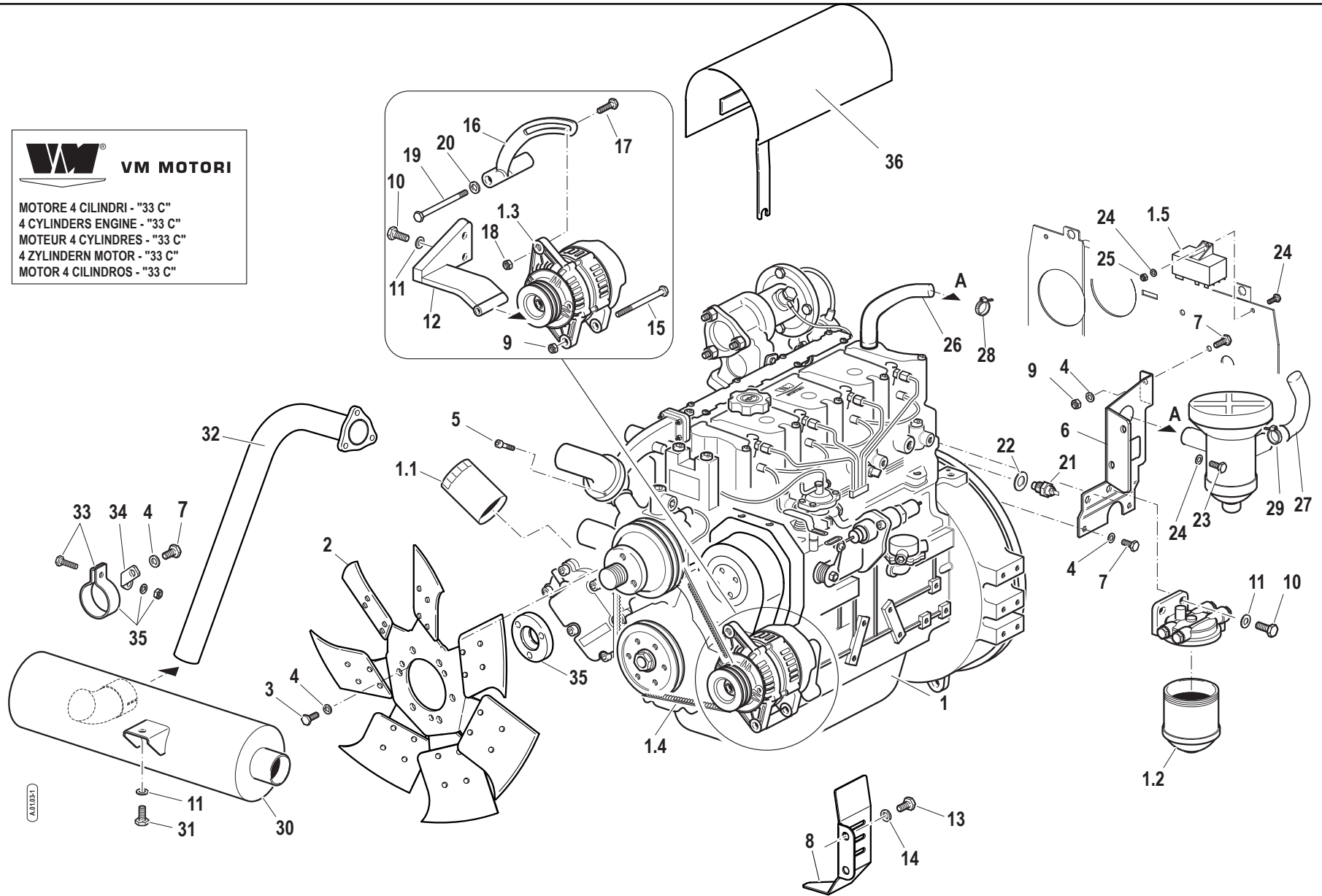
ENGINE
Engine: 95 CV

CODE REV

A.01.03_1_47693

VM MOTORI

MOTORE 4 CILINDRI - "33 C"
 4 CYLINDERS ENGINE - "33 C"
 MOTEUR 4 CYLINDRES - "33 C"
 4 ZYLINDER MOTOR - "33 C"
 MOTOR 4 CILINDROS - "33 C"



Pos.	Code	Q.ty	Description	Notes
30	58176618	1	EXHAUST SILENCER	
31	31112210	1	SCREW TE M10X20 UNI 5739	
32	59076619	1	EXHAUST	
33	58175121	1	COLLAR	
34	56177183	1	REINFORCED STRAP	
35	56178649	1	SPACER	
36	59076682	1	GUARD	
37	58077484	1	LINING	
38	F0838384000	2	STUD BOLT M10X25 UNI 5911 8.8	
39	31215100	2	NUT M10	

SERIAL

ENGINE
Engine: 95 CV

CODE REV

A.01.03_1_47693

Pos.	Code	Q.ty	Description	Notes
1.1	58171199	1	OIL FILTER CARTRIDGE	
1.2	58171200	1	FUEL FILTER CARTRIDGE	
1.3	59900344	1	ALTERNATOR	
1.4	59900345	1	CENTRAL PROCESSING UNIT	
2	58177891	1	FAN	
3	F0862495010	3	SCREW M8X16 UNI 5931	
4	F0843643060	5	WASHER 8	
5	F0862479035	1	SCREW M6X16 7380	
6	59079167	1	RETAINER	
7	31111151	4	SCREW TE M8X16 UNI 5739 8G	
8	56177979	1	SHIELD	
9	31211080	2	NUT M8	
10	31112219	5	SCREW TE M10X25 UNI 5739	
11	F0843755000	6	WASHER 10	
12	59077318	1	SUPPORT	
13	31112082	2	SCREW TE M6X12 UNI 5739 8G	
14	31411064	2	WASHER 6,4x12,5	
15	31112174	1	SCREW TE M8X110 UNI 5737 8.8	
16	59076688	1	ROD	
17	31112153	1	SCREW TE M8X35 UNI 5739 8G	
18	31421083	1	WASHER	
19	F0864335020	1	SCREW M14X120 UNI 5737	
20	31421251	1	WASHER	
21	58175773	1	ELECTRONICAL THERMOMETER	
22	F0844030070	1	COPPER WASHER 16,0x22/1,5	
23	31112090	2	SCREW TE M6X16 UNI 5739 8G	
24	F0843570000	2	WASHER 6	
25	31211060	2	NUT M6	
26	55176744	1	PIPE	
27	58177400	1	OIL PIPE	
28	F0817500400	3	CLAMP 024,1-706R	
29	F0817500200	1	CLAMP 015,7-706R	
30	58176618	1	EXHAUST SILENCER	
31	31112210	1	SCREW TE M10X20 UNI 5739	

SERIAL

ENGINE (SELF CLEANING SYSTEM)

Engine: 75 CV

CODE REV

A.01.04_0_91351

Pos.	Code	Q.ty	Description	Notes
32	59076620	1	EXHAUST	
33	58175121	1	COLLAR	
34	56177183	1	REINFORCED STRAP	
35	58079130	1	PUMP	
35.1	59901265	1	GASKET SET	
36	58177811	1	CLUTCH	
37	56172079	1	SPACER	
38	31152088	2	SCREW TCEI M8X55 UNI 5931	
39	31112159	1	SCREW TE M8X65 UNI 5737 8G	
40	56377847	1	PULLEY	
41	56377846	1	PULLEY	
42	36220210	1	BELT	
43	59901264	1	RING NUT	

Pos.	Code	Q.ty	Description	Notes
1.1	58171199	1	OIL FILTER CARTRIDGE	
1.2	58171200	1	FUEL FILTER CARTRIDGE	
1.3	59900344	1	ALTERNATOR	
1.4	59900345	1	CENTRAL PROCESSING UNIT	
2	58177891	1	FAN	
3	F0862495010	3	SCREW M8X16 UNI 5931	
4	F0843643060	5	WASHER 8	
5	F0862479035	1	SCREW M6X16 7380	
6	59079167	1	RETAINER	
7	31111151	4	SCREW TE M8X16 UNI 5739 8G	
8	56177979	1	SHIELD	
9	31211080	2	NUT M8	
10	31112219	5	SCREW TE M10X25 UNI 5739	
11	F0843755000	6	WASHER 10	
12	59077318	1	SUPPORT	
13	31112082	2	SCREW TE M6X12 UNI 5739 8G	
14	31411064	2	WASHER 6,4x12,5	
15	31112174	1	SCREW TE M8X110 UNI 5737 8.8	
16	59076688	1	ROD	
17	31112153	1	SCREW TE M8X35 UNI 5739 8G	
18	31421083	1	WASHER	
19	F0864335020	1	SCREW M14X120 UNI 5737	
20	31421251	1	WASHER	
21	58175773	1	ELECTRONICAL THERMOMETER	
22	F0844030070	1	COPPER WASHER 16,0x22/1,5	
23	31112090	2	SCREW TE M6X16 UNI 5739 8G	
24	F0843570000	2	WASHER 6	
25	31211060	2	NUT M6	
26	55176744	1	PIPE	
27	58177400	1	OIL PIPE	
28	F0817500400	3	CLAMP 024,1-706R	
29	F0817500200	1	CLAMP 015,7-706R	
30	58176618	1	EXHAUST SILENCER	
31	31112210	1	SCREW TE M10X20 UNI 5739	

SERIAL
START
912460

ENGINE (SELF CLEANING SYSTEM)

Engine: 85 CV

CODE REV

A.01.05_0_91399

Pos.	Code	Q.ty	Description	Notes
32	59076619	1	EXHAUST	
33	58175121	1	COLLAR	
34	56177183	1	REINFORCED STRAP	
35	59076682	1	GUARD	
36	58079130	1	PUMP	
36.1	59901265	1	GASKET SET	
37	58177811	1	CLUTCH	
38	56172079	1	SPACER	
39	31152088	2	SCREW TCEI M8X55 UNI 5931	
40	31112159	1	SCREW TE M8X65 UNI 5737 8G	
41	56377846	1	PULLEY	
41	56377847	1	PULLEY	
43	36220210	1	BELT	
44	59901264	1	RING NUT	

SERIAL
START
912460

ENGINE (SELF CLEANING SYSTEM)

Engine: 85 CV

CODE REV

A.01.05_0_91399

Pos.	Code	Q.ty	Description	Notes
1.1	58171199	1	OIL FILTER CARTRIDGE	
1.2	58171200	1	FUEL FILTER CARTRIDGE	
1.3	59900344	1	ALTERNATOR	
1.4	59900345	1	CENTRAL PROCESSING UNIT	
2	58177891	1	FAN	
3	F0862495010	3	SCREW M8X16 UNI 5931	
4	F0843643060	5	WASHER 8	
5	F0862479035	1	SCREW M6X16 7380	
6	59079167	1	RETAINER	
7	31111151	4	SCREW TE M8X16 UNI 5739 8G	
8	56177979	1	SHIELD	
9	31211080	2	NUT M8	
10	31112219	5	SCREW TE M10X25 UNI 5739	
11	F0843755000	6	WASHER 10	
12	59077318	1	SUPPORT	
13	31112082	2	SCREW TE M6X12 UNI 5739 8G	
14	31411064	2	WASHER 6,4x12,5	
15	31112174	1	SCREW TE M8X110 UNI 5737 8.8	
16	59076688	1	ROD	
17	31112153	1	SCREW TE M8X35 UNI 5739 8G	
18	31421083	1	WASHER	
19	F0864335020	1	SCREW M14X120 UNI 5737	
20	31421251	1	WASHER	
21	58175773	1	ELECTRONICAL THERMOMETER	
22	F0844030070	1	COPPER WASHER 16,0x22/1,5	
23	31112090	2	SCREW TE M6X16 UNI 5739 8G	
24	F0843570000	2	WASHER 6	
25	31211060	2	NUT M6	
26	55176744	1	PIPE	
27	58177400	1	OIL PIPE	
28	F0817500400	3	CLAMP 024,1-706R	
29	F0817500200	1	CLAMP 015,7-706R	
30	58176618	1	EXHAUST SILENCER	
31	31112210	1	SCREW TE M10X20 UNI 5739	

SERIAL
START
912460

ENGINE (SELF CLEANING SYSTEM)

Engine: 95 CV

CODE REV

A.01.06_0_91448

Pos.	Code	Q.ty	Description	Notes
32	59076619	1	EXHAUST	
33	58175121	1	COLLAR	
34	56177183	1	REINFORCED STRAP	
35	59076682	1	GUARD	
36	58079130	1	PUMP	
36.1	59901265	1	GASKET SET	
37	58177811	1	CLUTCH	
38	56172079	1	SPACER	
39	31152088	2	SCREW TCEI M8X55 UNI 5931	
40	31112159	1	SCREW TE M8X65 UNI 5737 8G	
41	56377847	1	PULLEY	
42	56377846	1	PULLEY	
43	36220210	1	BELT	
44	59901264	1	RING NUT	

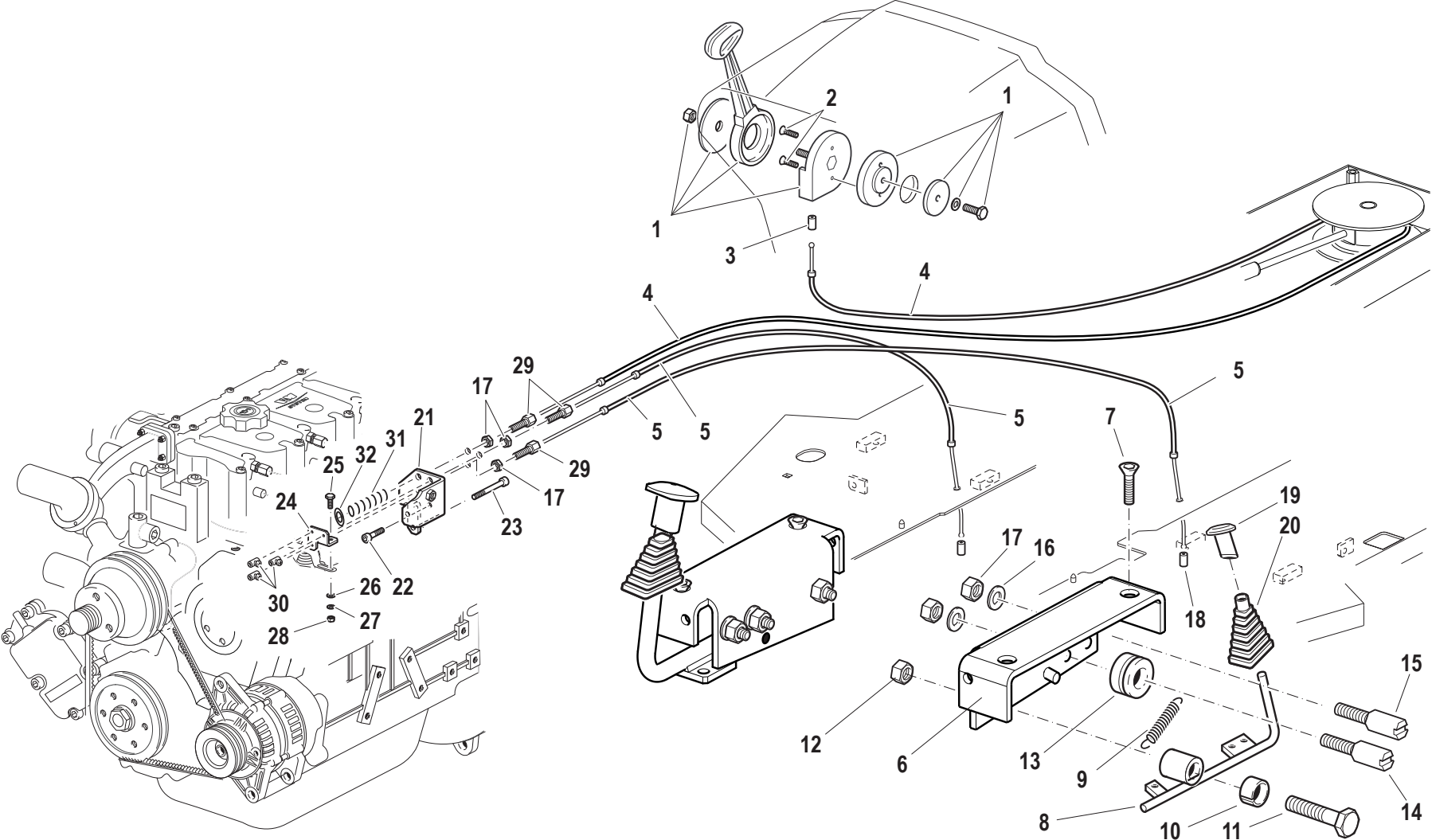
SERIAL
START
912460

ENGINE (SELF CLEANING SYSTEM)

Engine: 95 CV

CODE REV

A.01.06_0_91448



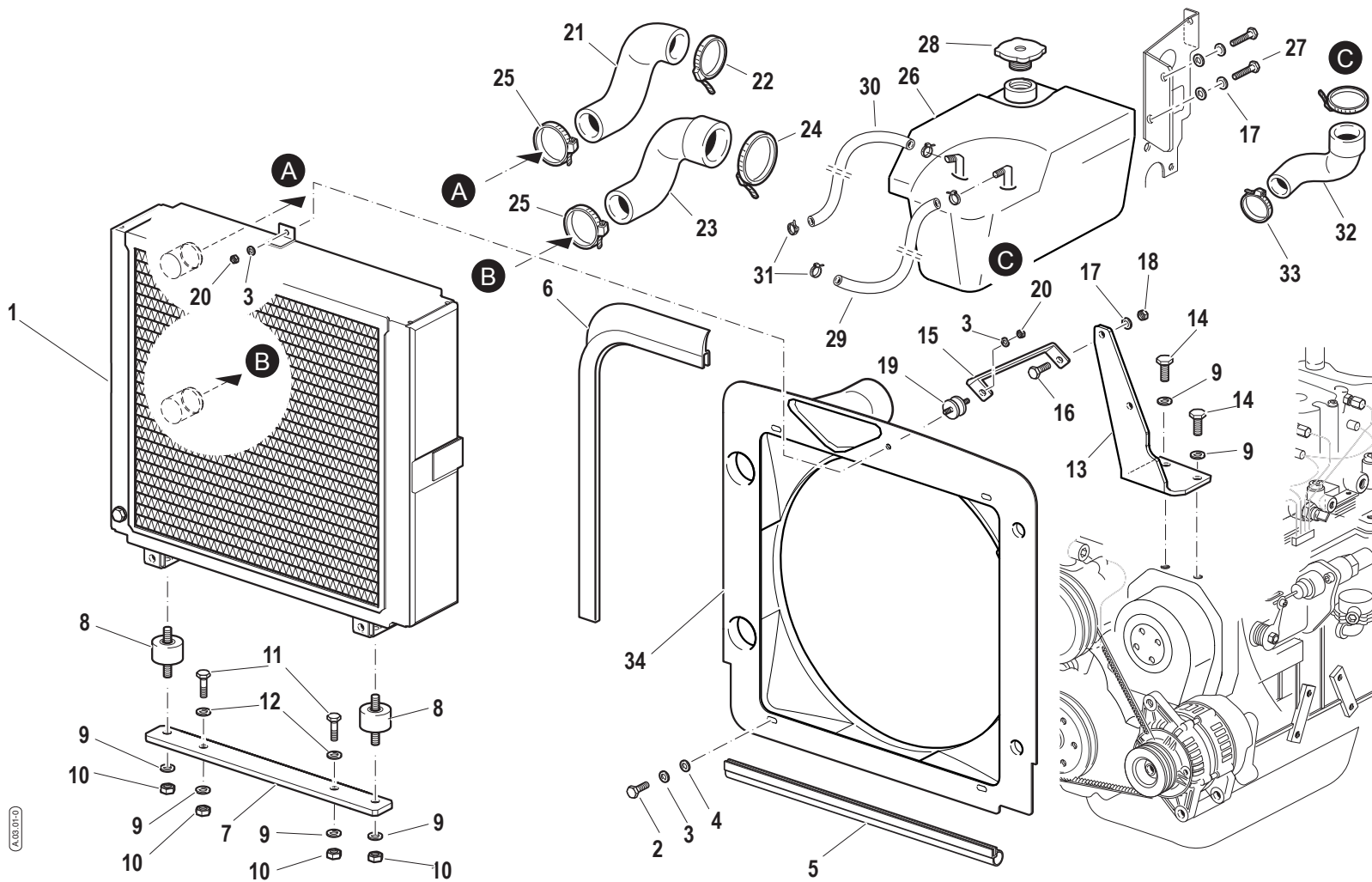
Pos.	Code	Q.ty	Description	Notes
1	P23810600000	1	ACCELERATOR	
2	31132562	2	SCREW TSVEI M6X16 UNI 5933	
3	F0858520000	1	SLEEVE	
4	58079035	1	CABLE	
5	58077361	2	CABLE	
6	59077107	2	BRACKET	
7	F0862481000	4	SCREW M8x16 UNI 5933	
8	59077101	2	ACCEL. PEDAL	
9	58073227	2	SPRING	
10	30030016	2	BUSHING 14x25	
11	56377112	2	SCREW	
12	31241101	2	SELFLOCK NUT M10	
13	57377106	2	PULLEY	
14	56375436	2	HINGE PIN	
15	56177648	2	GUIDE PIN	
16	F0843643060	4	WASHER 8	
17	31231080	7	NUT M8	
18	58177111	2	SLEEVE	
19	57377110	2	FOOT REST	
20	55277307	2	BELLOWS	
21	56174661	1	BRACKET	
22	31152060	1	SCREW TCEI M6X30 UNI 5931	
23	31152068	1	SCREW TCEI M6X55 UNI 5931	
24	56177655	1	BRACKET	
25	31112051	1	SCREW TE M5X14 UNI 5739 8G	
26	31411053	1	WASHER 5,3x10	
27	F0843561000	1	WASHER 5	
28	31211050	1	NUT M5	
29	56177656	3	REGISTER	
30	58048002	4	CLAMPING SCREW	
31	F0831065000	1	SPRING	
32	56177641	1	STOP	

SERIAL

ENGINE CONTROLS

CODE REV

A.02.01_0_76577



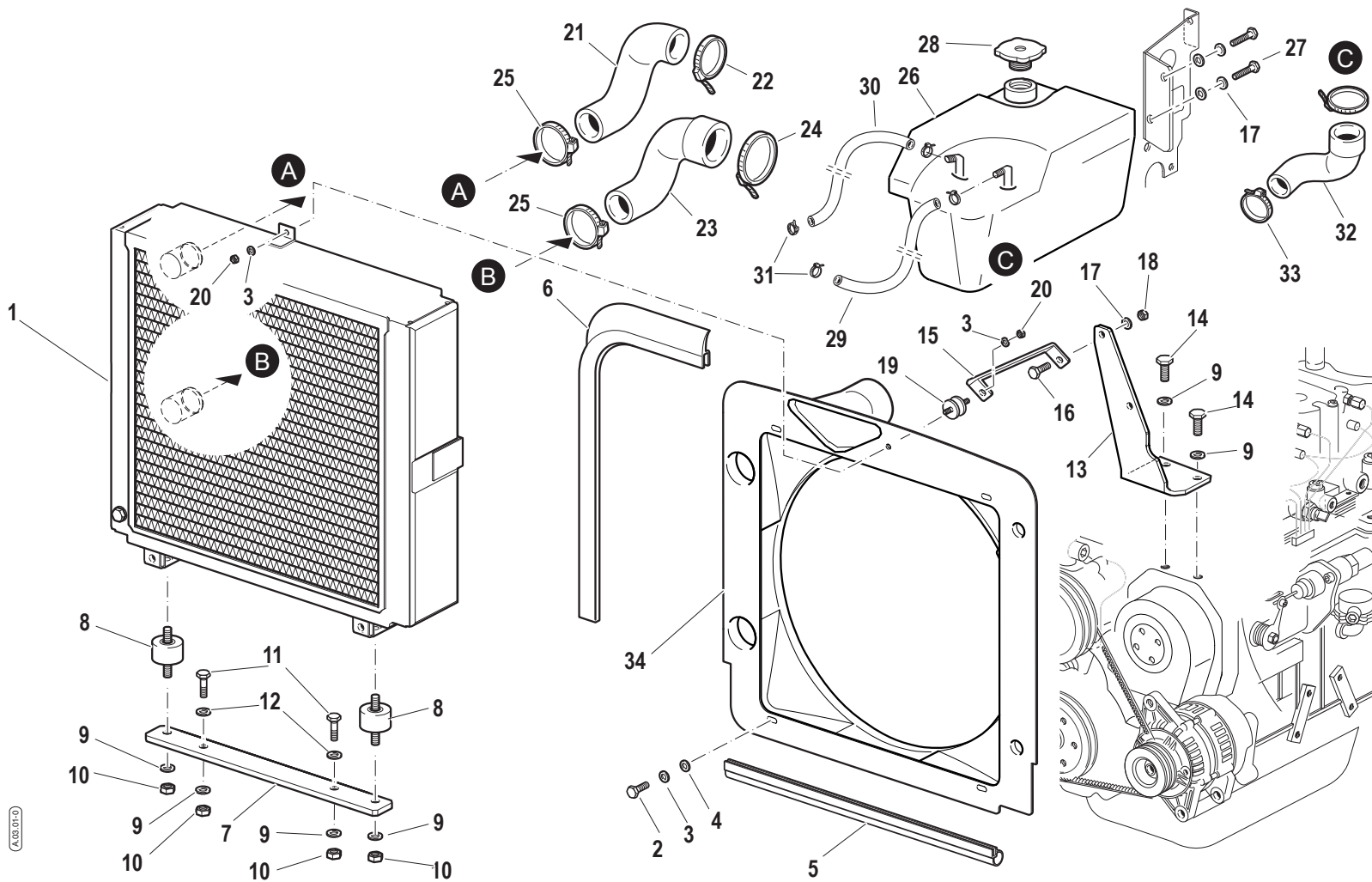
Pos.	Code	Q.ty	Description	Notes
1	58178586	1	RADIATOR	
2	31112082	4	SCREW TE M6X12 UNI 5739 8G	
3	F0843570000	6	WASHER 6	
4	31411064	4	WASHER 6,4x12,5	
5	28174882	1	GASKET	
6	F0256809050	1	GASKET	
7	56178805	1	BRACKET	
8	58174608	2	SILENT-BLOCK	
9	F0843755000	5	WASHER 10	
10	F0814632000	4	NUT M10	
11	31112212	2	SCREW TE M10X35 UNI 5739	
12	56178806	2	SPACER	
13	59076684	1	FIXING BRACKET	
14	31152103	1	SCREW TCEI M10X25 UNI 5931	
15	56176691	1	FIXING BRACKET	
16	31112151	1	SCREW TE M8X25 UNI 5739 8G	
17	F0843643060	3	WASHER 8	
18	31211080	1	NUT M8	
19	F0849206005	1	SILENT-BLOCK	
20	F0814545000	2	NUT M6	
21	55174632	1	SLEEVE	
22	F0817500500	1	CLAMP 048,5-706R	
23	55177639	1	SLEEVE	
24	F0817500700	1	CLAMP 057,5-706R	
25	F0817500470	2	CLAMP	
26	P23634000000	1	CUP	
27	31111151	2	SCREW TE M8X16 UNI 5739 8G	
28	P23622000000	1	PLUG	
29	58078677	1	VENT HOSE	
30	58075873	1	VENT HOSE	
31	F0817500200	4	CLAMP 015,7-706R	
32	58077132	1	PIPE	
33	F0817500400	2	CLAMP 024,1-706R	
34	58178638	1	DUCT	

SERIAL

COOLER
Engine: 75 CV

CODE REV

A.03.01_0_47738



Pos.	Code	Q.ty	Description	Notes
35	31111091	4	SCREW E M6X14 UNI 5739 8G	
36	31211060	2	NUT M6	
37	31411066	6	WASHER 6,6x18	

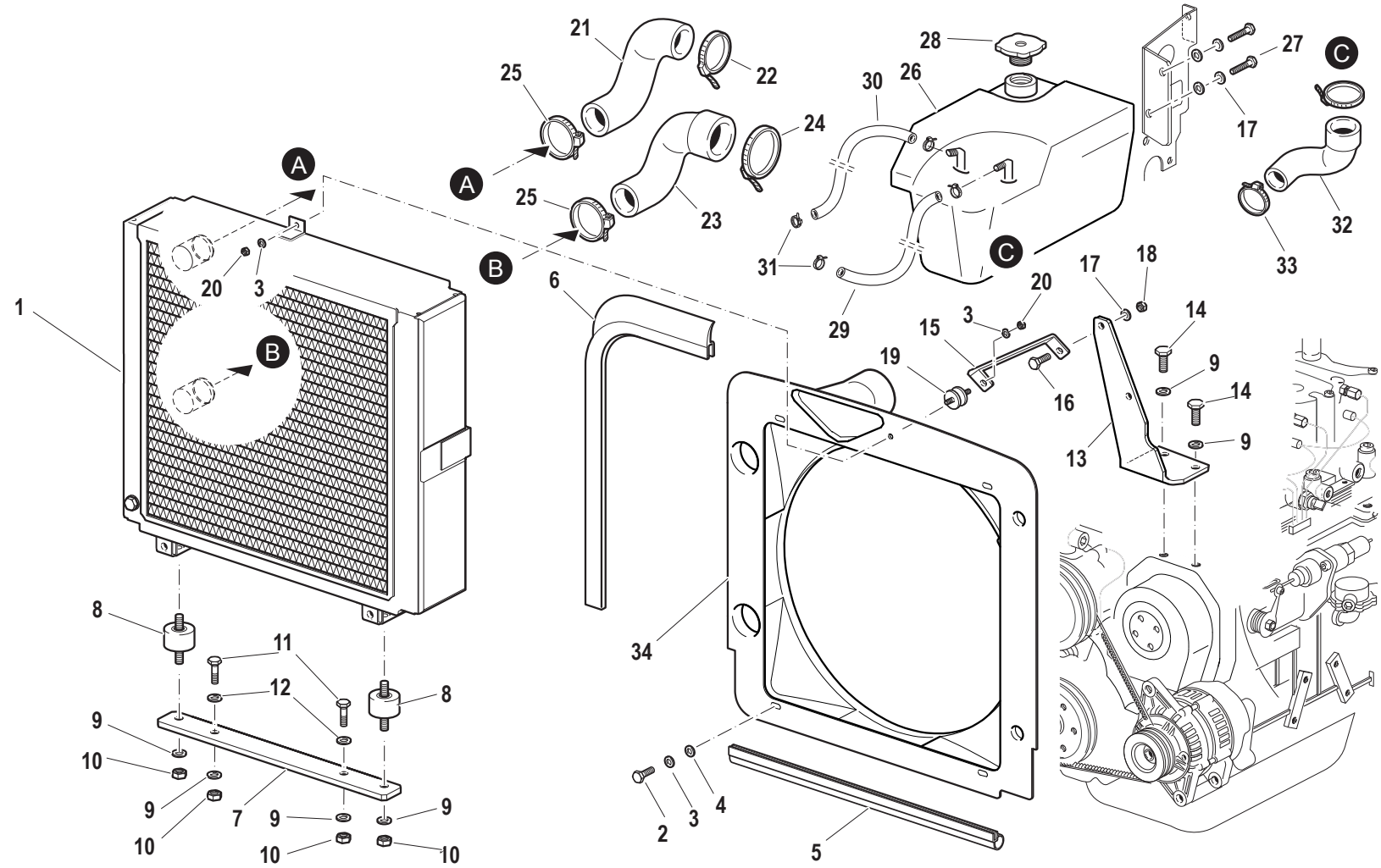
SERIAL

COOLER
Engine: 75 CV

CODE REV

A.03.01_0_47738

COOLER



A.03.02.0

Pos.	Code	Q.ty	Description	Notes
1	58178585	1	RADIATOR	
2	31112082	4	SCREW TE M6X12 UNI 5739 8G	
3	F0843570000	6	WASHER 6	
4	31411064	4	WASHER 6,4x12,5	
5	28174882	1	GASKET	
6	F0256809050	1	GASKET	
7	56178805	1	BRACKET	
8	58174608	2	SILENT-BLOCK	
9	F0843755000	5	WASHER 10	
10	F0814632000	4	NUT M10	
11	31112212	2	SCREW TE M10X35 UNI 5739	
12	56178806	2	SPACER	
13	59076684	1	FIXING BRACKET	
14	31152103	1	SCREW TCEI M10X25 UNI 5931	
15	56176691	1	FIXING BRACKET	
16	31112151	1	SCREW TE M8X25 UNI 5739 8G	
17	F0843643060	3	WASHER 8	
18	31211080	1	NUT M8	
19	F0849206005	1	SILENT-BLOCK	
20	F0814545000	2	NUT M6	
21	55174632	1	SLEEVE	
22	F0817500500	1	CLAMP 048,5-706R	
23	55177639	1	SLEEVE	
24	F0817500700	1	CLAMP 057,5-706R	
25	F0817500470	2	CLAMP	
26	P23634000000	1	CUP	
27	31111151	2	SCREW TE M8X16 UNI 5739 8G	
28	P23622000000	1	PLUG	
29	58078677	1	VENT HOSE	
30	58075873	1	VENT HOSE	
31	F0817500200	4	CLAMP 015,7-706R	
32	58077132	1	PIPE	
33	F0817500400	2	CLAMP 024,1-706R	
34	58178638	1	DUCT	

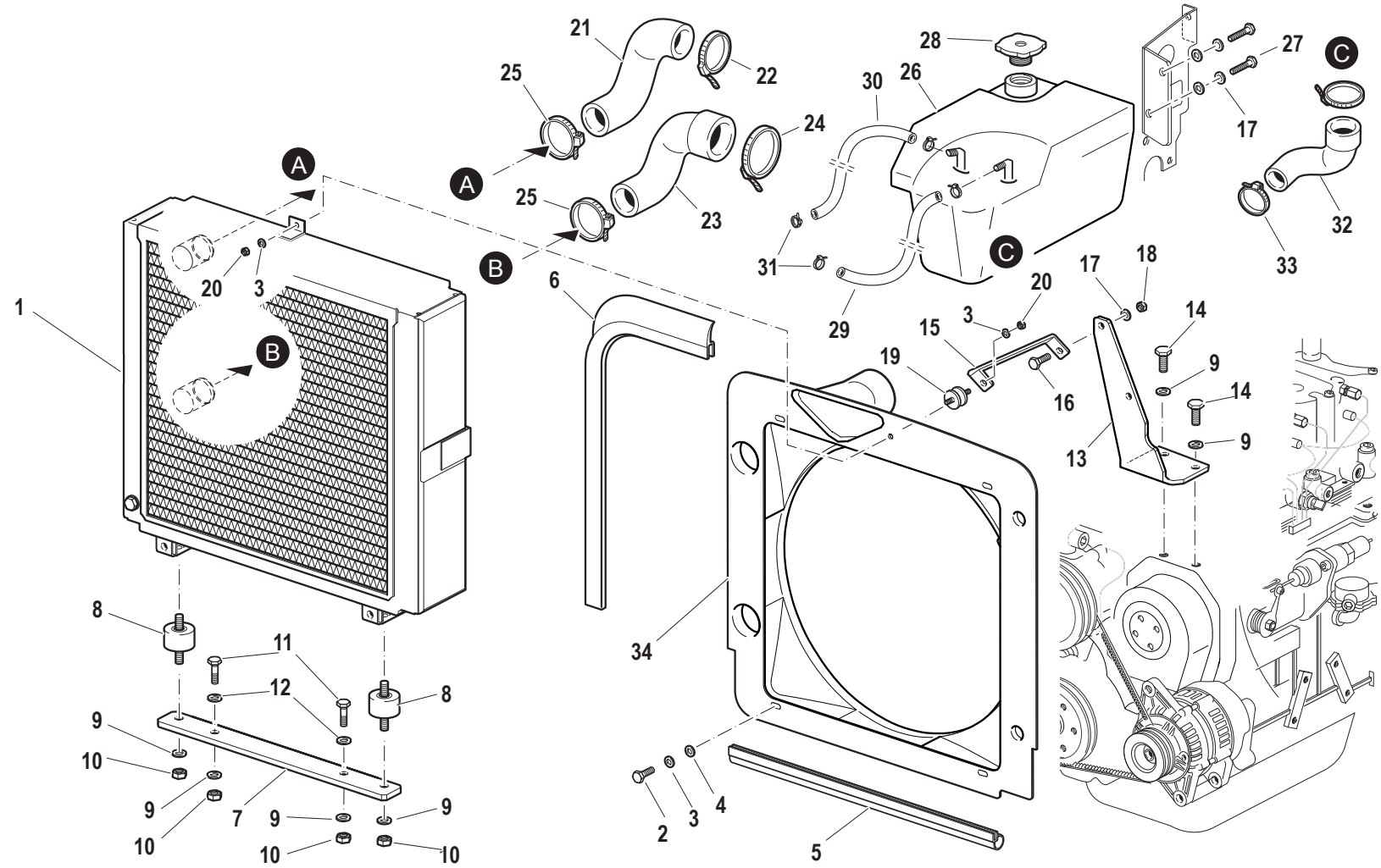
SERIAL

COOLER
Engine: 85 CV, 95 CV

CODE REV

A.03.02_0_47776

COOLER



A.03.02.0

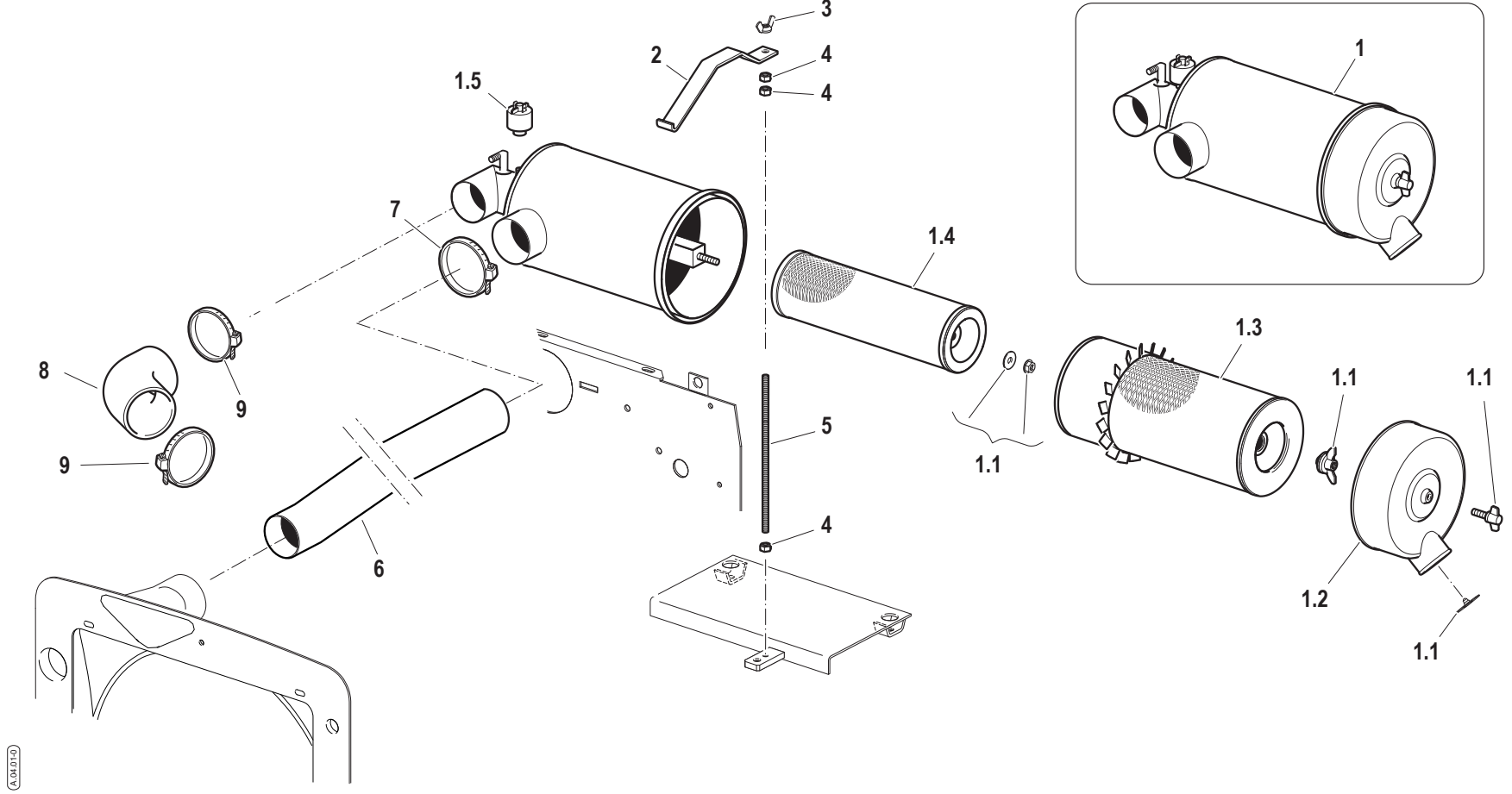
Pos.	Code	Q.ty	Description	Notes
35	31111091	4	SCREW E M6X14 UNI 5739 8G	
36	31211060	2	NUT M6	
37	31411066	6	WASHER 6,6x18	

SERIAL

COOLER
Engine: 85 CV, 95 CV

CODE REV

A.03.02_0_47776



Pos.	Code	Q.ty	Description	Notes
1	58176755	1	AIR FILTER	
1.1	59900353	1	KIT	
1.2	59900347	1	COVER	
1.3	58171028	1	CARTOUCHE	
1.4	58171027	1	CARTOUCHE	
1.5	58175122	1	DIGITAL INSTRUMENT	
2	56174636	1	FIXING BRACKET	
3	31200501	1	NUT M8	
4	31211080	3	NUT M8	
5	56174635	1	ROD	
6	58076753	1	SUCTION PIPE	
7	F0817501200	1	CLAMP 077,0-706R	
8	58076751	1	SLEEVE	
9	F0817501000	2	CLAMP 072,5-706R	

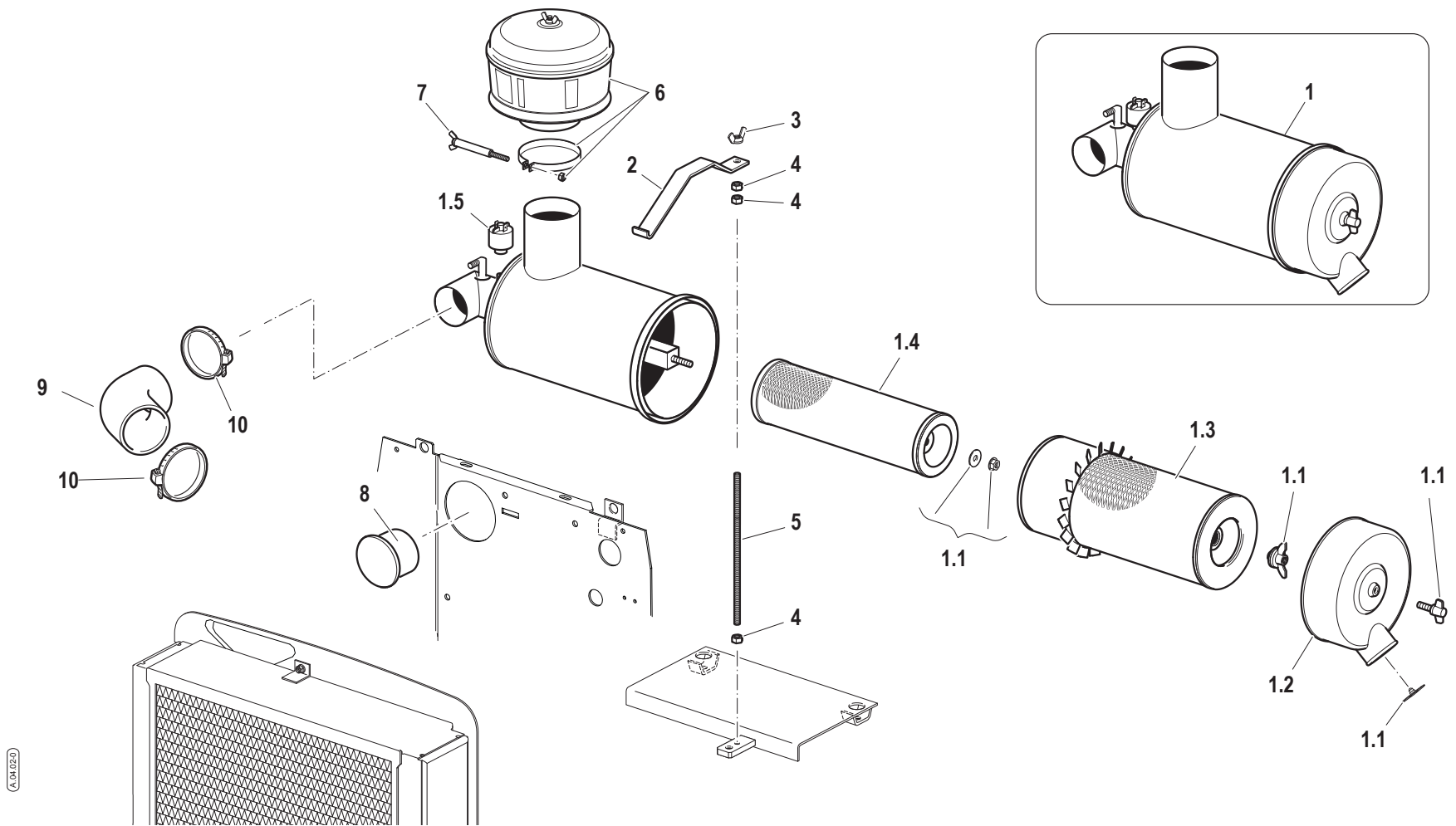
SERIAL

AIR FILTER
Engine: 75 CV

CODE REV

A.04.01_0_47814

AIR FILTER WITH EXTERNAL AIR INTAKE



A.04.02.0

Pos.	Code	Q.ty	Description	Notes
1	58176898	1	AIR FILTER	
1.1	59900353	1	KIT	
1.2	59900347	1	COVER	
1.3	58171028	1	CARTOUCHE	
1.4	58171027	1	CARTOUCHE	
1.5	58175122	1	DIGITAL INSTRUMENT	
2	56174636	1	FIXING BRACKET	
3	31200501	1	NUT M8	
4	31211080	3	NUT M8	
5	56174635	1	ROD	
6	58171069	1	PRECLEANER	
7	59073184	1	SCREW	
8	57377317	1	PLUG	
9	58076751	1	SLEEVE	
10	F0817501000	2	CLAMP 072,5-706R	

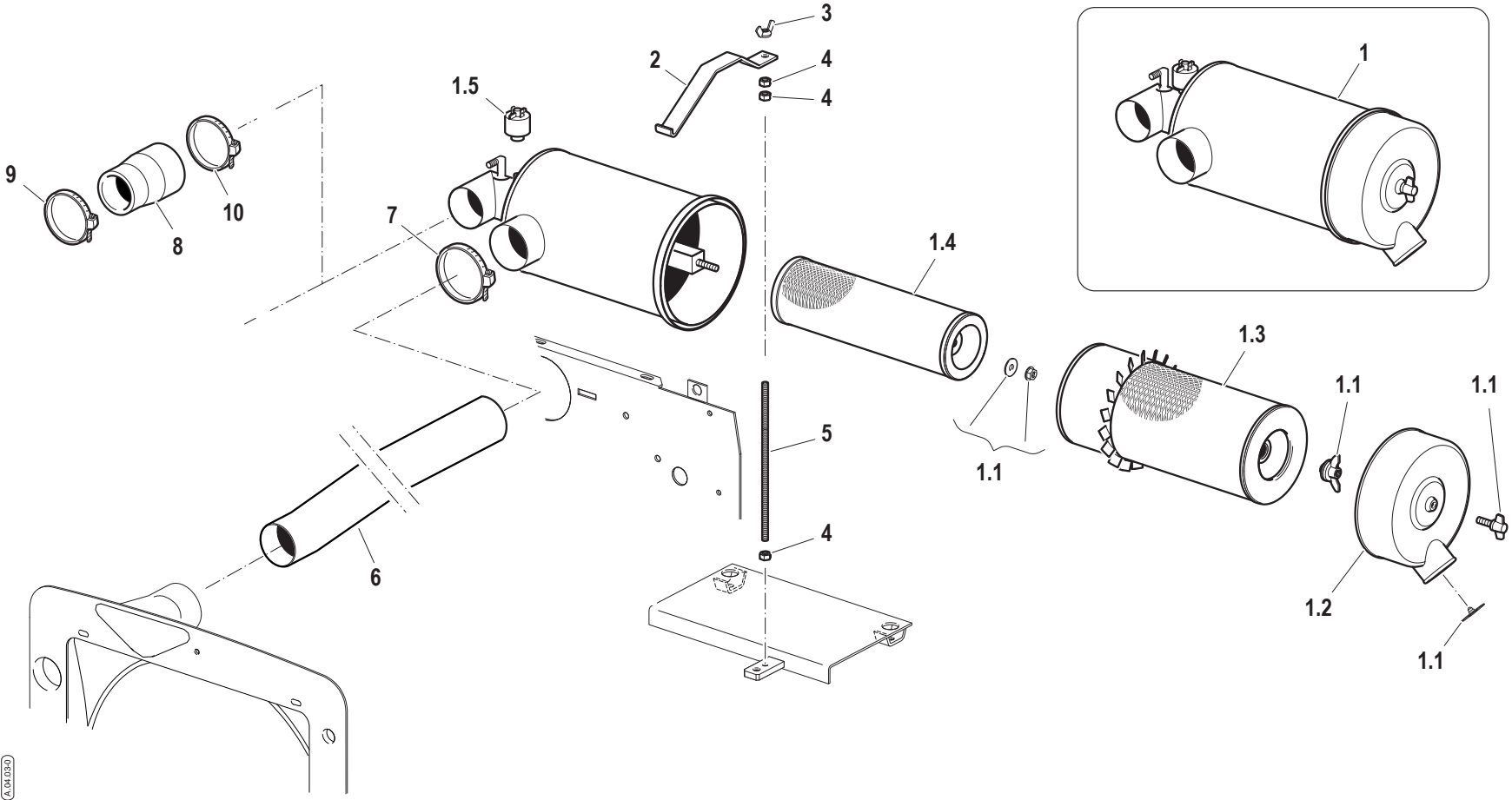
SERIAL

AIR FILTER WITH EXTERNAL AIR INTAKE

Engine: 75 CV

CODE REV

A.04.02_0_47845



A.04.03_0

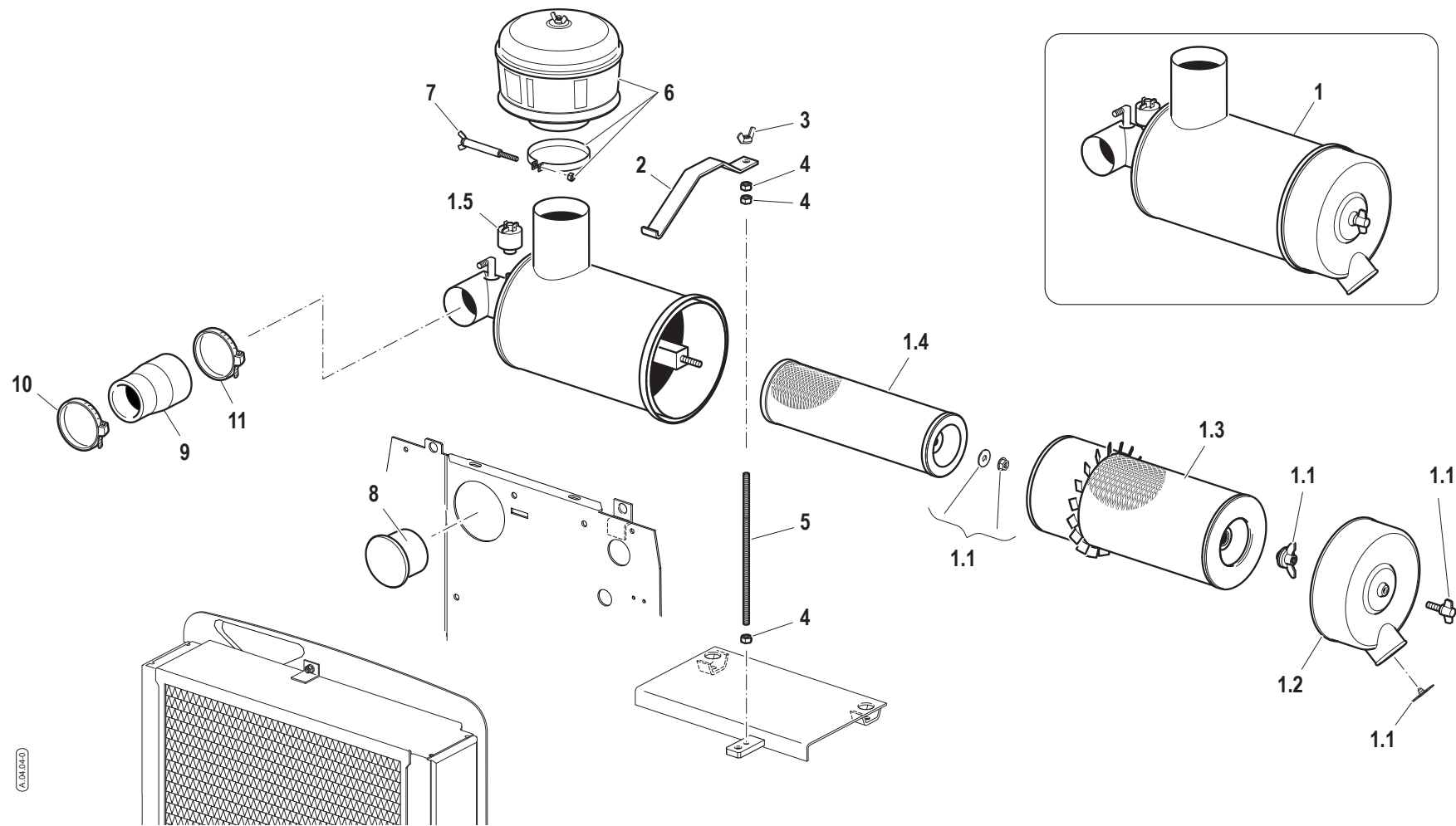
Pos.	Code	Q.ty	Description	Notes
1	58176755	1	AIR FILTER	
1.1	59900353	1	KIT	
1.2	59900347	1	COVER	
1.3	58171028	1	CARTOUCHE	
1.4	58171027	1	CARTOUCHE	
1.5	58175122	1	DIGITAL INSTRUMENT	
2	56174636	1	FIXING BRACKET	
3	31200501	1	NUT M8	
4	31211080	3	NUT M8	
5	56174635	1	ROD	
6	58076753	1	SUCTION PIPE	
7	F0817501200	1	CLAMP 077,0-706R	
8	58076750	1	SLEEVE	
9	F0817500800	1	CLAMP 062,0-706R	
10	F0817500900	1	CLAMP 069,5-706R	

SERIAL

AIR FILTER
 Engine: 85 CV, 95 CV

CODE REV

A.04.03_0_47829



Pos.	Code	Q.ty	Description	Notes
1	58176898	1	AIR FILTER	
1.1	59900353	1	KIT	
1.2	59900347	1	COVER	
1.3	58171028	1	CARTOUCHE	
1.4	58171027	1	CARTOUCHE	
1.5	58175122	1	DIGITAL INSTRUMENT	
2	56174636	1	FIXING BRACKET	
3	31200501	1	NUT M8	
4	31211080	3	NUT M8	
5	56174635	1	ROD	
6	58171069	1	PRECLEANER	
7	59073184	1	SCREW	
8	57377317	1	PLUG	
9	58076750	1	SLEEVE	
10	F0817500800	1	CLAMP 062,0-706R	
11	F0817500900	1	CLAMP 069,5-706R	

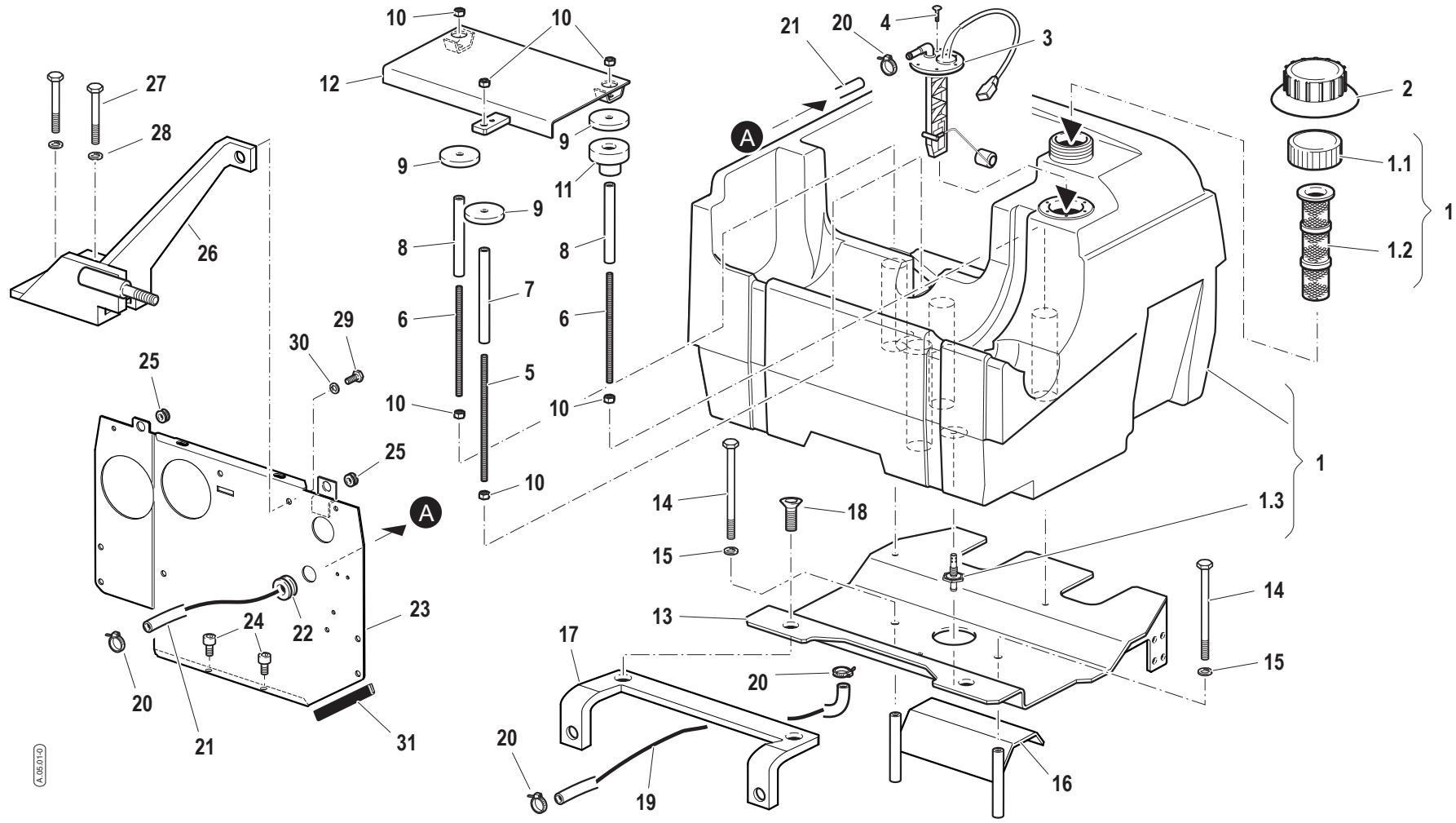
SERIAL

AIR FILTER WITH EXTERNAL AIR INTAKE

Engine: 85 CV, 95 CV

CODE REV

A.04.04_0_47861



A.05.01.0

Pos.	Code	Q.ty	Description	Notes
1	55276745	1	TANK	
1.1	F0849500001	1	TANK COVER	
1.2	F0849500002	1	FILTER	
1.3	57174915	1	PIPE FITTING	
2	57371900	1	LINING	
3	58170238	1	CONTROL	
4	F0861867050	6	SCREW M4,2X19 DIN 7981	
5	56174635	1	ROD	
6	56077608	2	ROD	
7	56176716	1	SPACER	
8	56176696	2	SPACER D.14x9/155,5	
9	56176814	3	SPACER D.55x8/4	
10	31211080	6	NUT M8	
11	58076752	3	STOPPER	
12	59076685	1	BATTERY SUPPORT	
13	59077933	1	SUPPORT	
14	31111218	2	SCREW TE M10X140 UNI 5737 8G	
15	F0843755000	2	WASHER 10	
16	59076870	1	COVER	
17	59077935	1	FIXING BRACKET	
18	F0862481000	2	SCREW M8x16 UNI 5933	
19	58070690	1	PIPE	
20	F0817500200	4	CLAMP 015,7-706R	
21	58074895	1	PIPE	
22	58171901	1	CABLE GLAND 15,5-24-32-2	
23	59076679	1	DIVISION	
24	F0862464050	2	SCREW UNI 5931	
25	F0825414000	2	CABLE GLAND 7-15-18,5-2,5	
26	59076686	1	BRACKET	
27	31112096	2	SCREW TE M6X85 UNI 5737 8G	
28	F0843570000	2	WASHER 6	
29	31111151	1	SCREW TE M8X16 UNI 5739 8G	
30	F0843643060	1	WASHER 8	
31	F0256808000	1	FLAT BAND	

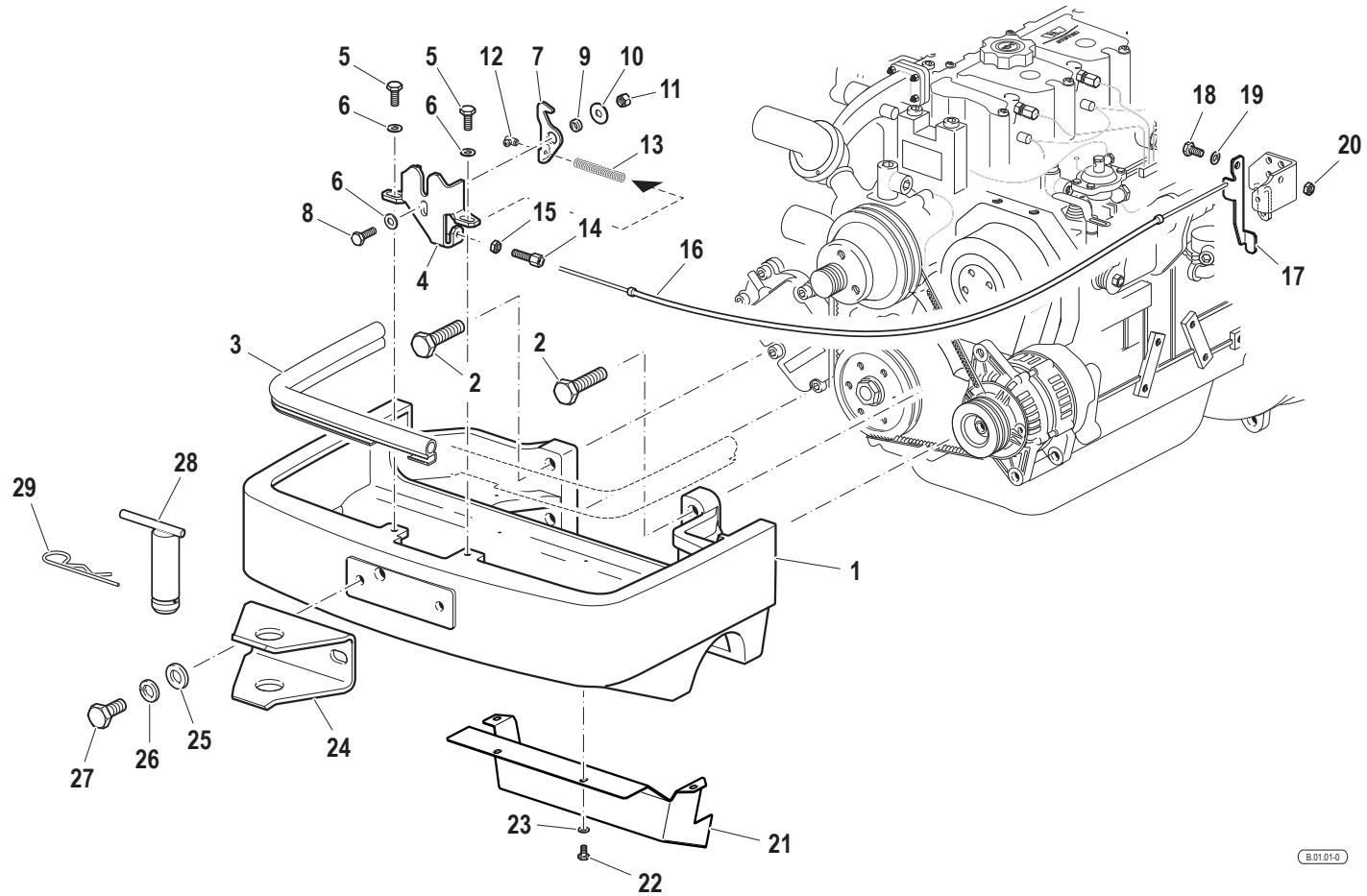
SERIAL

FUEL TANK

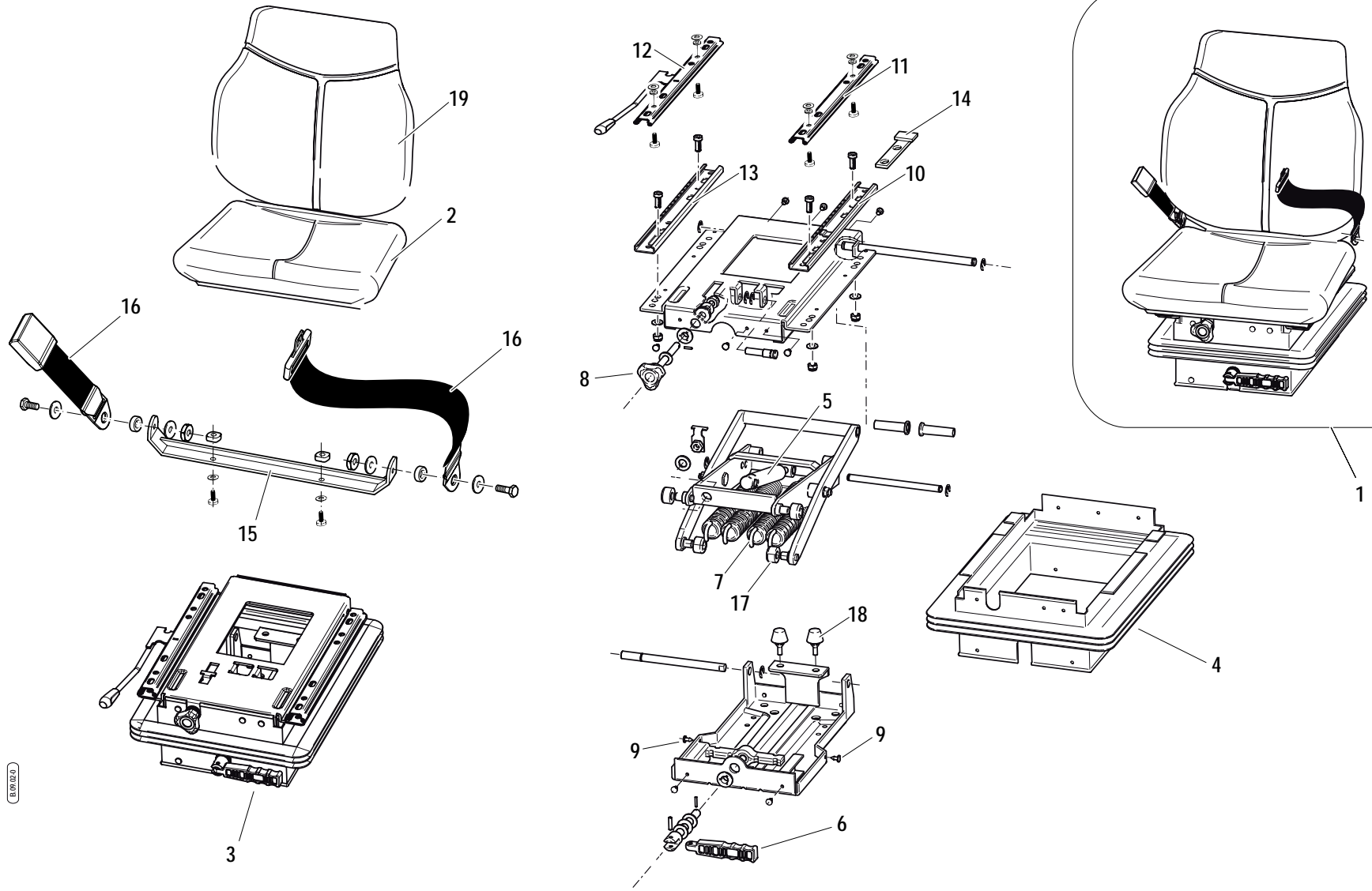
CODE REV

A.05.01_0_47878

FRONT SUPPORT

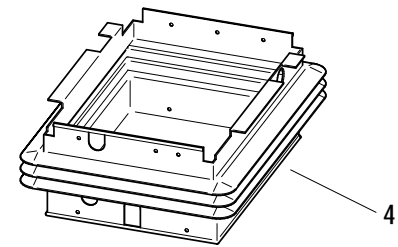
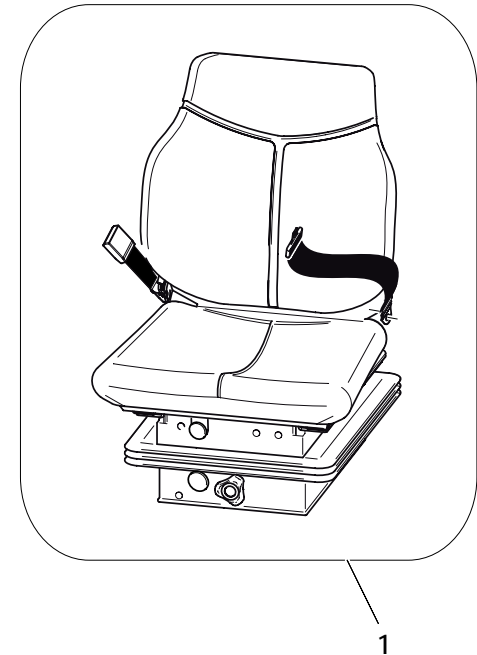
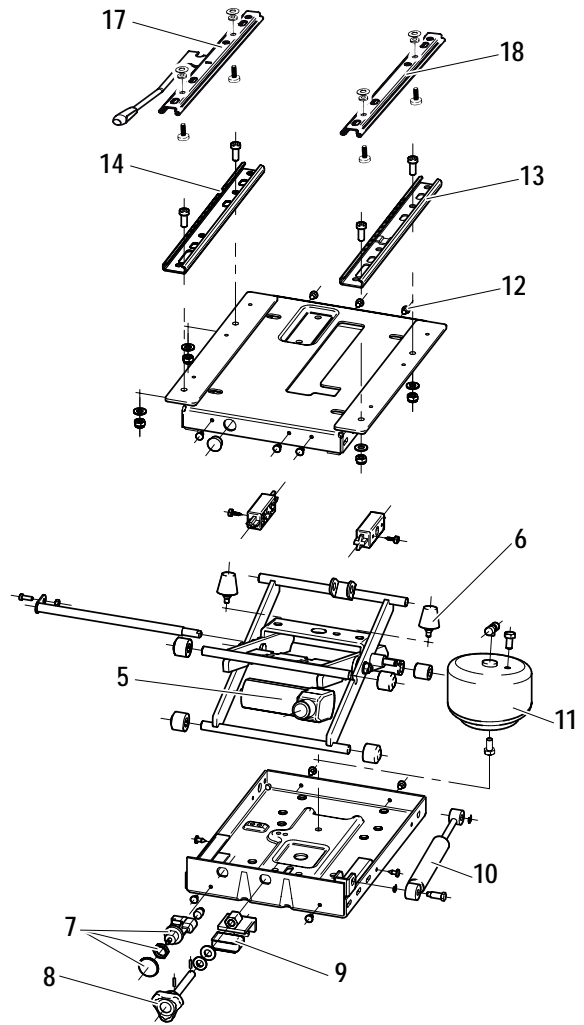
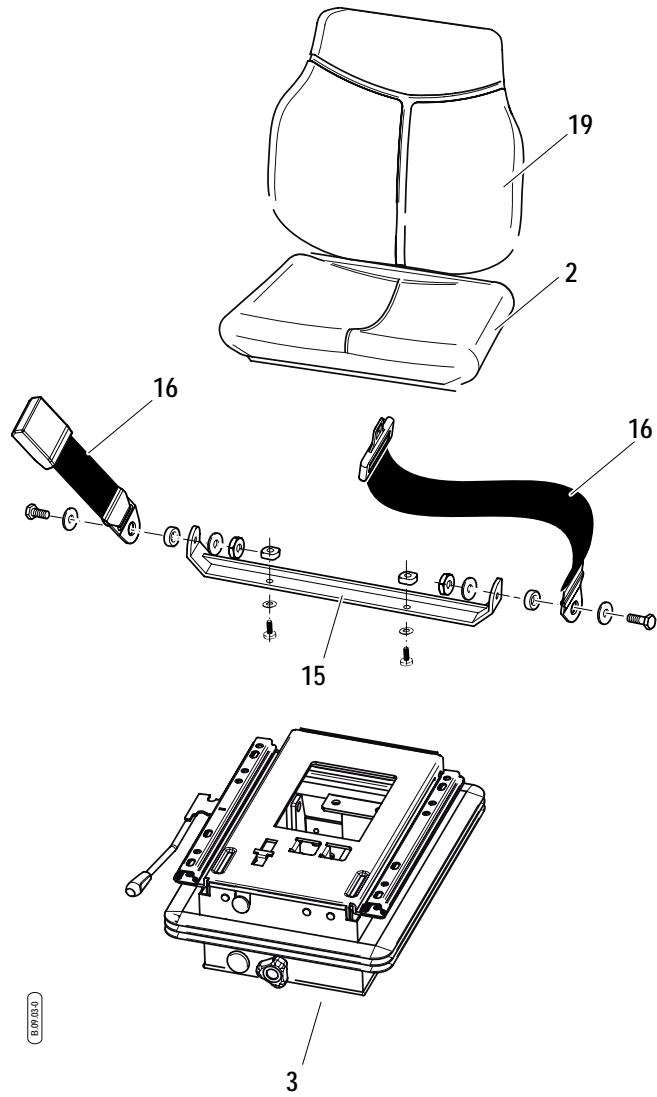


Pos.	Code	Q.ty	Description	Notes
1	51176714	1	FRONT SUPPORT	
2	31111331	4	SCREW TE M14X50 UNI5739 8G	
3	58177274	1	HOOD SEAL	
4	56174657	1	FIXING BRACKET	
5	31112150	2	SCREW TE M8X20 UNI 5739 8G	
6	31411084	3	WASHER 8,4x17	
7	56174658	1	HOOD HOOK	
8	31112151	1	SCREW TE M8X25 UNI 5739 8G	
9	56174659	1	SPACER	
10	31411090	1	WASHER 9x24	
11	31241080	1	SELFLOCK NUT M8	
12	58048002	1	CLAMPING SCREW	
13	F0831065000	1	SPRING	
14	56177656	1	REGISTER	
15	31231080	1	NUT M8	
16	58074831	1	CABLE	
17	56177643	1	LEVER	
18	31111151	1	SCREW TE M8X16 UNI 5739 8G	
19	F0843643060	1	WASHER 8	
20	F0814569000	1	NUT M8 UNI 5589 CL:8	
21	59076756	1	SHIELD	
22	31112082	12	SCREW TE M6X12 UNI 5739 8G	
23	F0843570000	12	WASHER 6	
24	56174873	1	TOW HOOK	
25	31112328	2	SCREW TE M14X35 UNI 5739	
26	F0843921030	2	WASHER 14	
27	31411150	2	WASHER 15x28	
28	59075283	1	PIN	
29	F0851497000	1	SPLIT PIN	



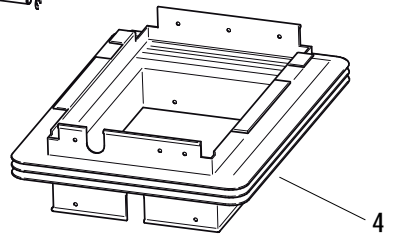
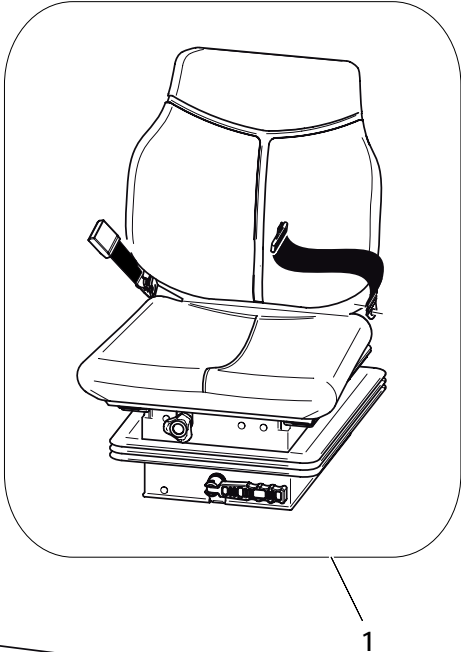
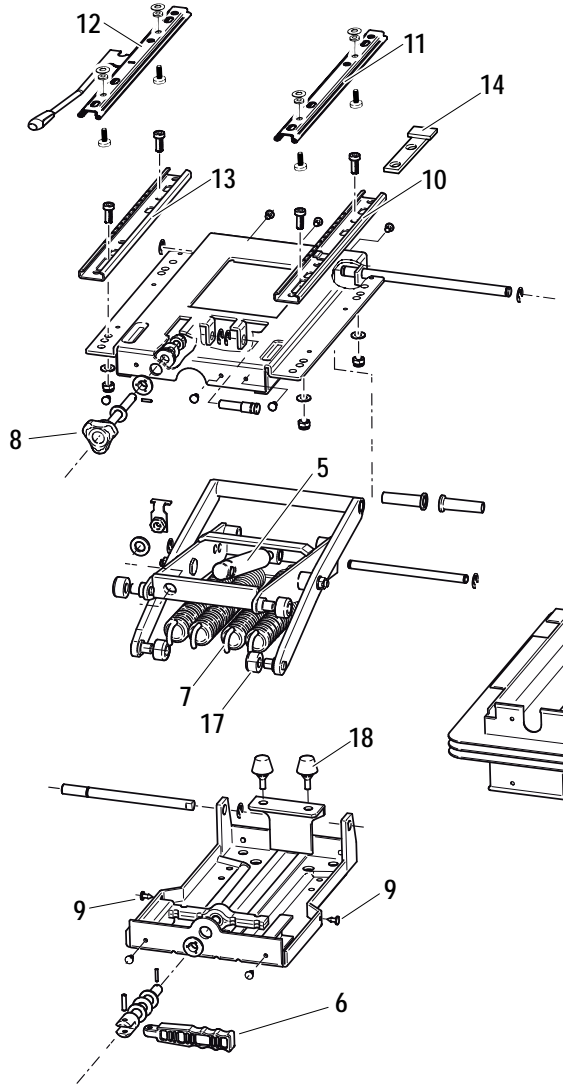
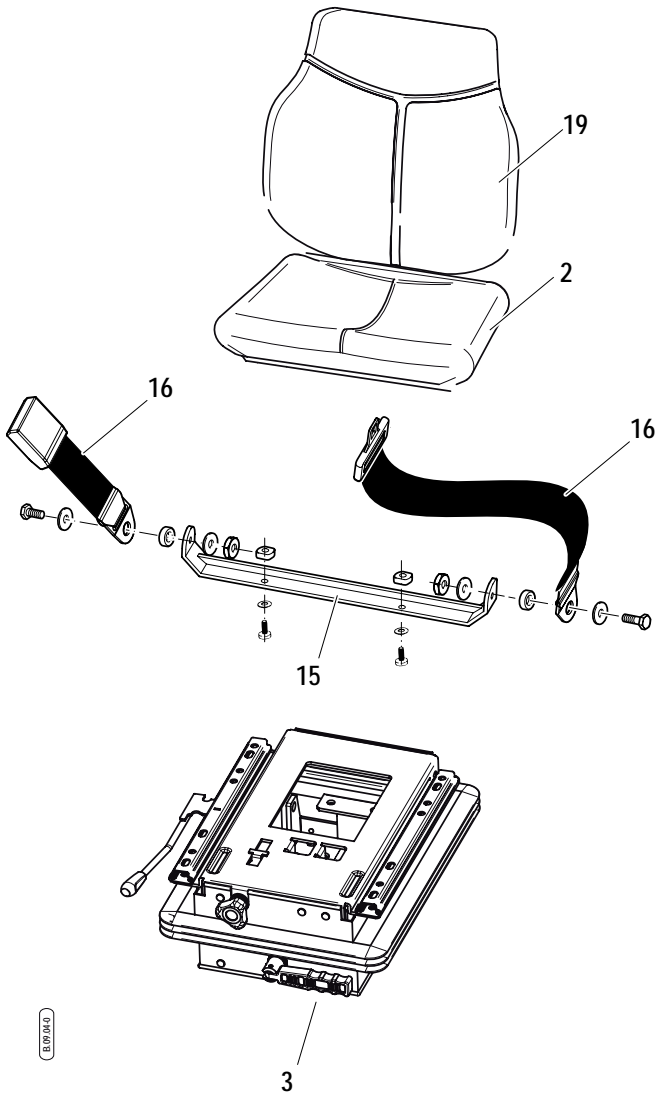
B.09.02_0

Pos.	Code	Q.ty	Description	Notes
1	58177376	1	SEAT	
2	59901052	1	SEAT	
3	59901049	1	SUSPENSION	
4	59900159	1	BELLOWS	
5	59900156	1	SHOCKS ABSORBER	
6	59900155	1	LEVER	
7	59900154	4	SPRING	
8	59900153	1	KNOB	
9	59900158	18	SCREW	
10	59900157	1	LOWER GUIDE	
11	59900160	1	GUIDE	
12	59900161	1	GUIDE	
13	59900152	1	LOWER GUIDE	
14	59071241	1	STOP PLATE	
15	56177660	1	BRACKET	
16	58192377	1	SAFETY BELT	
17	59901100	1	BUSHING	
18	59901101	1	STOP BUFFER	
19	59901053	1	BACKREST	



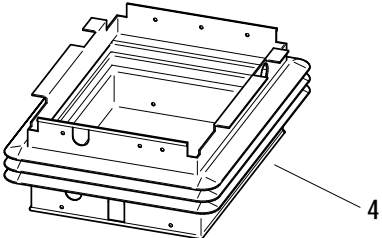
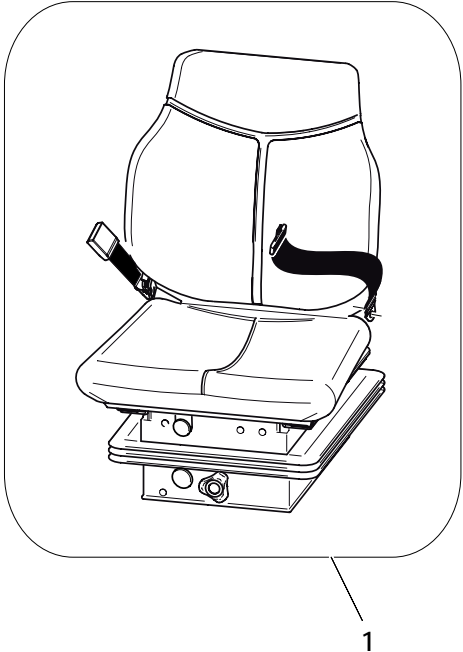
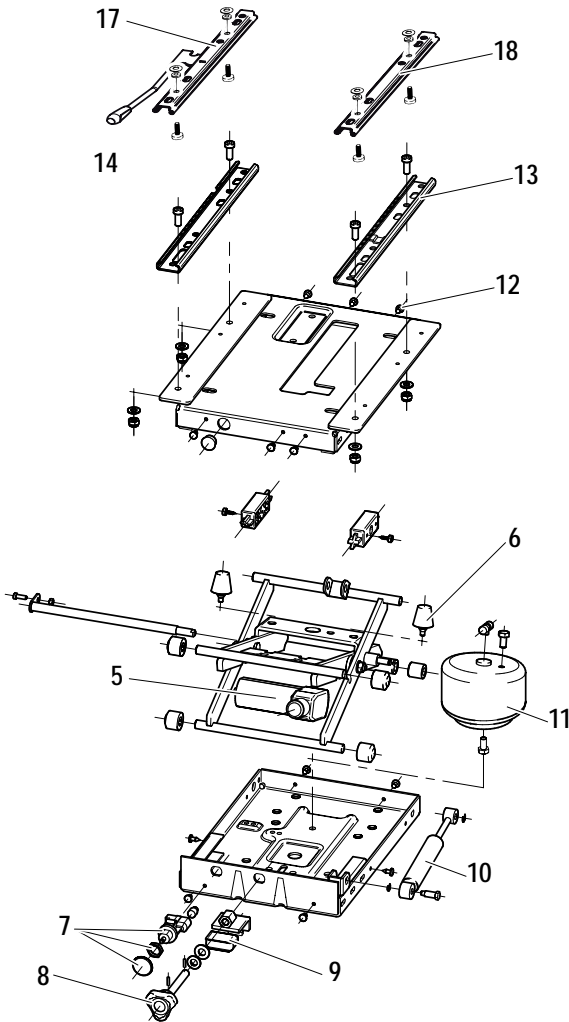
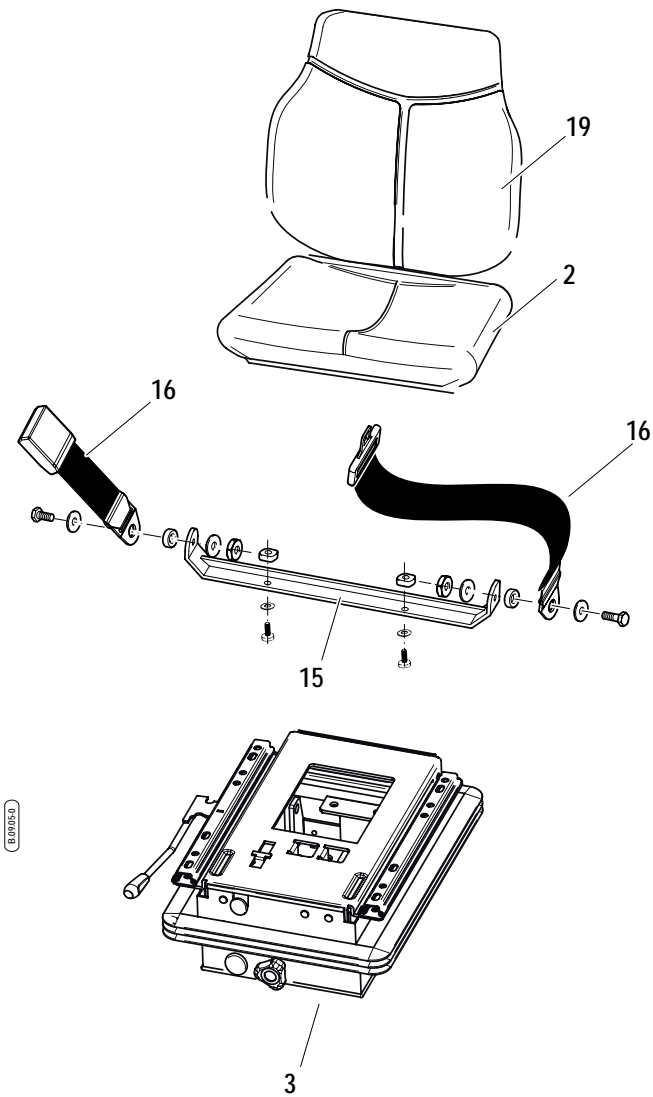
B.09.03.0

Pos.	Code	Q.ty	Description	Notes
1	58177377	1	SEAT	
2	59901052	1	SEAT	
3	59901056	1	SOSP.M97 C/REG.ALT. M5067.014	
4	59901102	1	BELLOWS	
5	59901103	1	KIT	
6	59901104	3	TAMPONE FINE CORSA (2011-320)	
7	59901105	1	SWITCH	
8	59901106	1	KNOB	
9	59901107	1	TAMPONE (2011-026)	
10	59901108	1	SHOCKS ABSORBER	
11	59901109	1	SPRING	
12	59900158	10	SCREW	
13	59900157	1	LOWER GUIDE	
14	59900152	1	LOWER GUIDE	
15	56177660	1	BRACKET	
16	58192377	1	SAFETY BELT	
17	59900161	1	GUIDE	
18	59900160	1	GUIDE	
19	59901053	1	BACKREST	



B.09.04.0

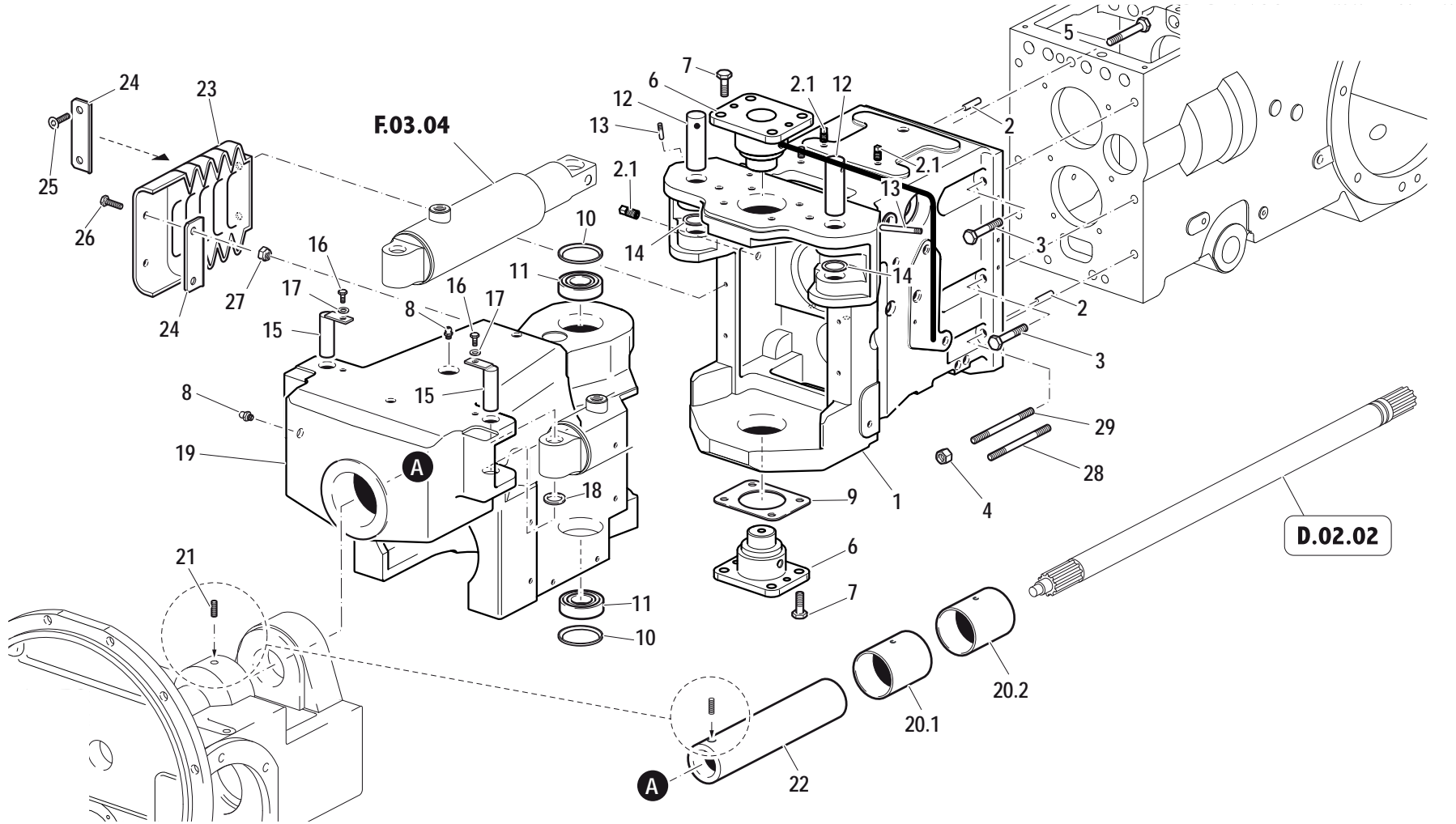
Pos.	Code	Q.ty	Description	Notes
1	58177378	1	SEAT	
2	59901054	1	SEAT	
3	59901049	1	SUSPENSION	
4	59900159	1	BELLOWS	
5	59900156	1	SHOCKS ABSORBER	
6	59900155	1	LEVER	
7	59900154	4	SPRING	
8	59900153	1	KNOB	
9	59900158	18	SCREW	
10	59900157	1	LOWER GUIDE	
11	59900160	1	GUIDE	
12	59900161	1	GUIDE	
13	59900152	1	LOWER GUIDE	
14	59071241	1	STOP PLATE	
15	56177660	1	BRACKET	
16	58192377	1	SAFETY BELT	
17	59901100	4	BUSHING	
18	59901101	2	STOP BUFFER	
19	59901055	1	BACKREST	



B.09.05

Pos.	Code	Q.ty	Description	Notes
1	58177379	1	SEAT	
2	59901054	1	SEAT	
3	59901056	1	SOSP.M97 C/REG.ALT. M5067.014	
4	59901102	1	BELLOWS	
5	59901103	1	KIT	
6	59901104	2	TAMPONE FINE CORSA (2011-320)	
7	59901105	1	SWITCH	
8	59901106	1	KNOB	
9	59901107	1	TAMPONE (2011-026)	
10	59901108	1	SHOCKS ABSORBER	
11	59901109	1	SPRING	
12	59900158	10	SCREW	
13	59900157	1	LOWER GUIDE	
14	59900152	1	LOWER GUIDE	
15	56177660	1	BRACKET	
16	58192377	1	SAFETY BELT	
17	59900161	1	GUIDE	
18	59900160	1	GUIDE	
19	59901055	1	BACKREST	

CENTRAL SECTION



Pos.	Code	Q.ty	Description	Notes
1	51178590	1	CLUTCH HOUSING	
2	56570016	2	CYLINDRICAL PLUG	
2.1	58079118	5	ROD	
3	F0863925000	5	SCREW M12X40 UNI 5737	
4	F0814706000	3	NUT M12	
5	F0863951000	1	SCREW M12X45 UNI 5737	
6	52379209	2	JOINT PIN	
7	F0863267050	8	SCREW M10x25	
8	F0826056000	3	LUBRICATOR M10 UNI 7663A	
9	52173669	1	SHIM	
9	52173670	1	SHIM	
9	52173671	1	SHIM	
9	52173672	1	SHIM	
9	52173673	1	SHIM	
10	58170077	2	GASKET	
11	F0812838000	2	BEARING 32007 (35x62x18 R)	
12	56374556	2	HINGE PIN	
13	56370178	2	SCREW	
14	56374557	2	SPACER	
15	59070838	2	HINGE PIN	
16	31111151	2	SCREW TE M8X16 UNI 5739 8G	
17	F0843643060	2	WASHER 8	
18	F0844240000	2	WASHER 20,5x33/3	
19	51175758	1	BOX	
20.1	56276371	1	BUSHING	
20.2	56276372	1	BUSHING	
21	58077226	1	GRAIN	
22	56477227	1	PIN	
23	55174429	2	BELLOWS	
24	56174446	4	FIXING BRACKET	
25	31132562	4	SCREW TSVEI M6X16 UNI 5933	
26	31112093	4	SCREW TE M6X20 UNI 5739 8G	
27	F0814547000	4	SELFLOCK NUT M6	
28	56375878	2	STUD BOLT	

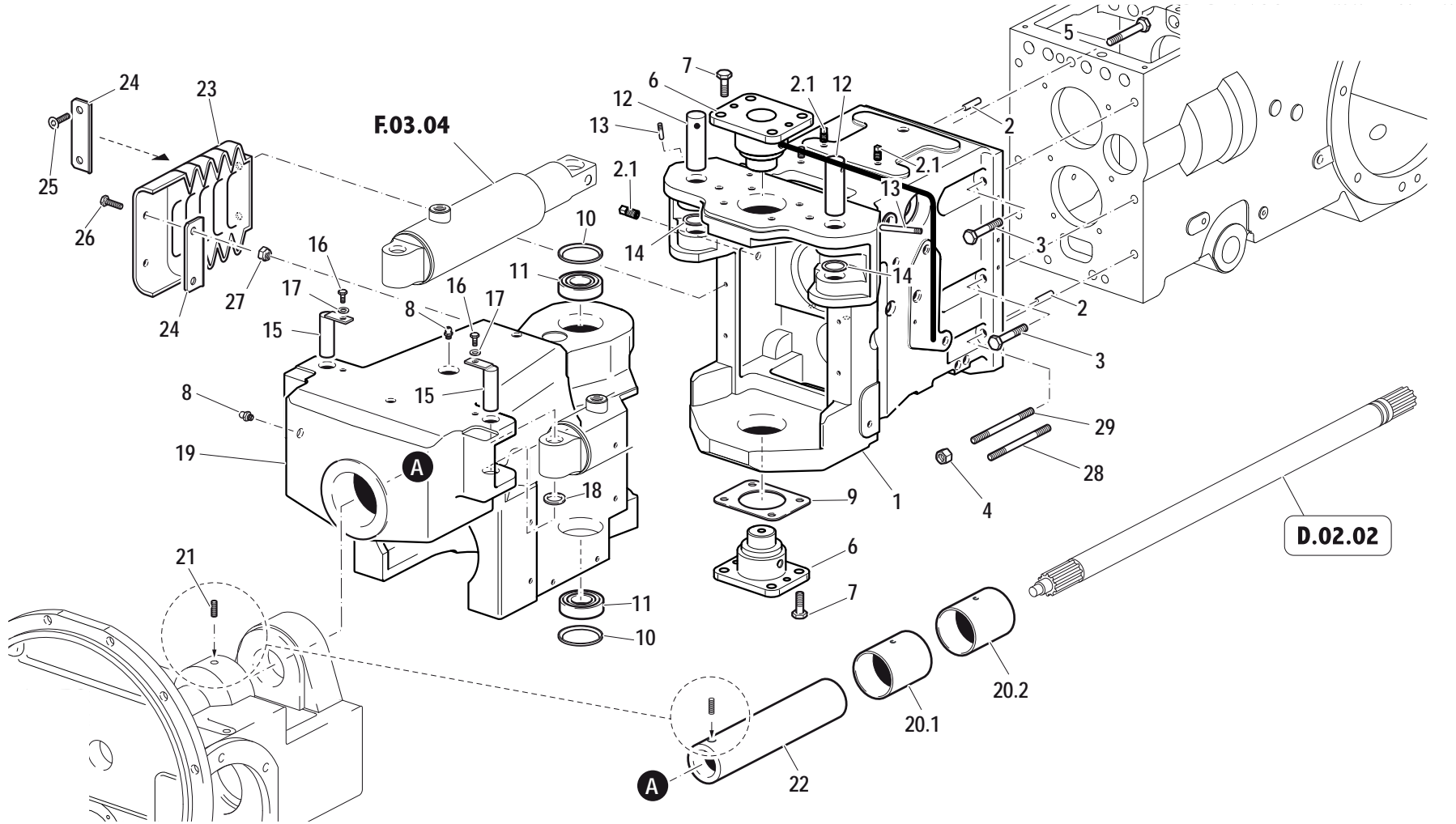
SERIAL

CENTRAL SECTION

CODE REV

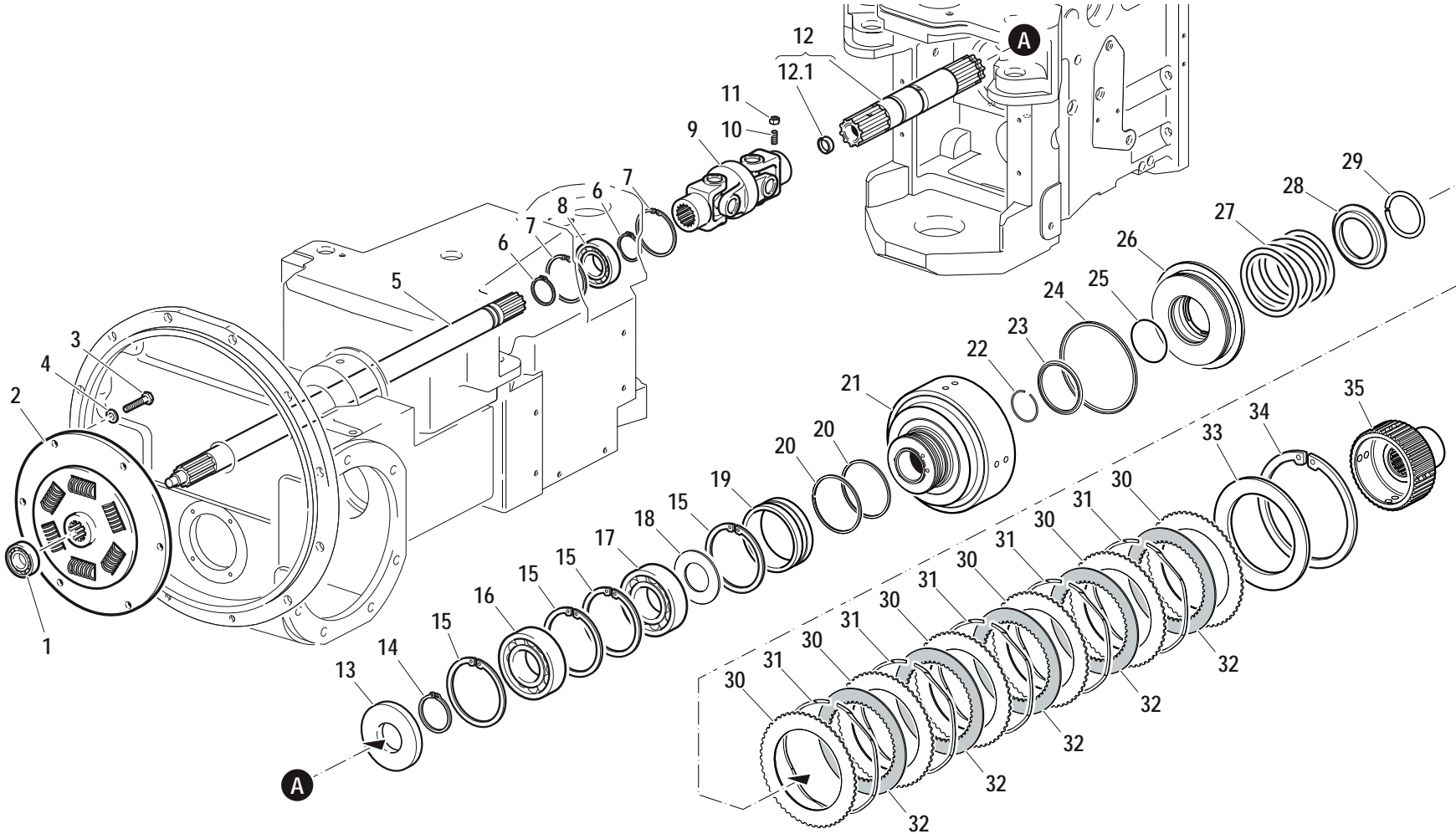
C.02.02_0_71991

CENTRAL SECTION



Pos.	Code	Q.ty	Description	Notes
29	F0838660000	1	STUD BOLT M12X105 UNI 5911-66	

CLUTCH FRONT SHAFT / TRANSMISSION CLUTCH



Pos.	Code	Q.ty	Description	Notes
1	F0812523050	1	BEARING 6201-2RS	
2	58177653	1	JOINT	
3	31112150	6	SCREW TE M8X20 UNI 5739 8G	
4	31421083	6	WASHER	
5	56575822	1	FRONT CLUTCH SHAFT	
6	35121030	2	SEEGER RING E 30 DIN 471	
7	35111062	2	SEEGER RING I 62 DIN 472	
8	37112302	1	BEARING	
9	58173664	1	CARDAN JOINT	
10	F0862657000	1	GRAIN	
11	31211080	1	NUT M8	
12	52473660	1	SHAFT	
12.1	58073461	1	PLUG	
13	F0802163010	1	SEAL 35x80/10	
14	F0801264050	1	SEEGER RING E 35X2,5 U/7436	
15	35111080	5	SEEGER RING I 80 DIN 472	
16	37111354	1	BEARING	
17	F0812868100	1	BEARING 6307-2Z (35x80x21)	
18	56371162	1	SHIM	
19	56470002	1	BUSHING	
20	58170306	2	SEAL	
21	52573648	1	CLUTCH HOUSING	
22	F0801266100	1	SAFETY RING	
23	58170443	1	GASKET	
24	58172400	1	GASKET	
25	38104412	1	O-RING 3175 (44,12X2,62)	
26	53273025	1	PISTON	
27	58070262	1	RESTORING SPRING	
28	56370267	1	RING	
29	58070268	1	CIRCLIP	
30	58170034	6	DISC	
31	58172106	5	SPRING	
32	58172105	5	DISC	
33	56370037	1	CLUTCH DISC	

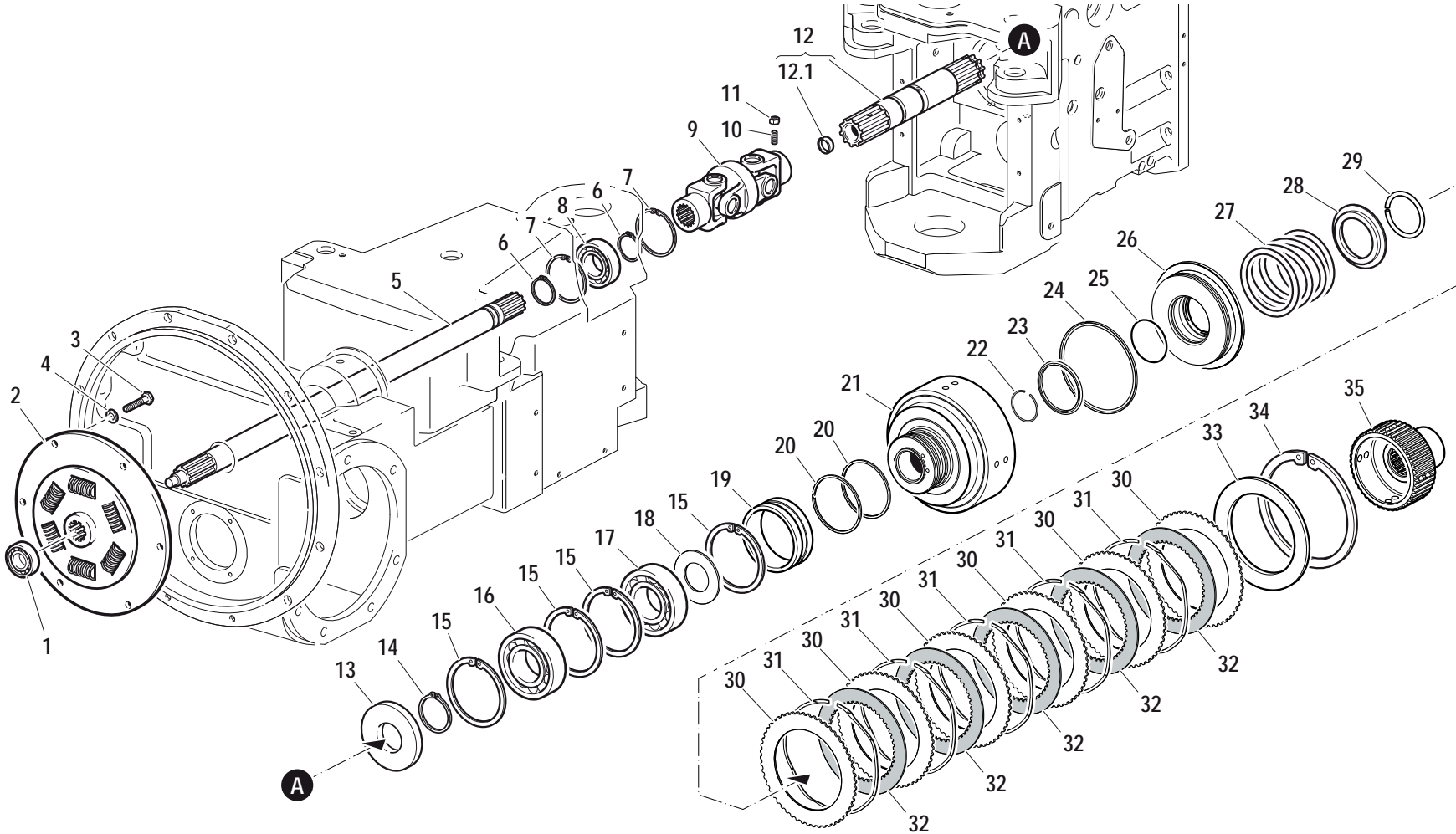
SERIAL

CLUTCH FRONT SHAFT / TRANSMISSION CLUTCH

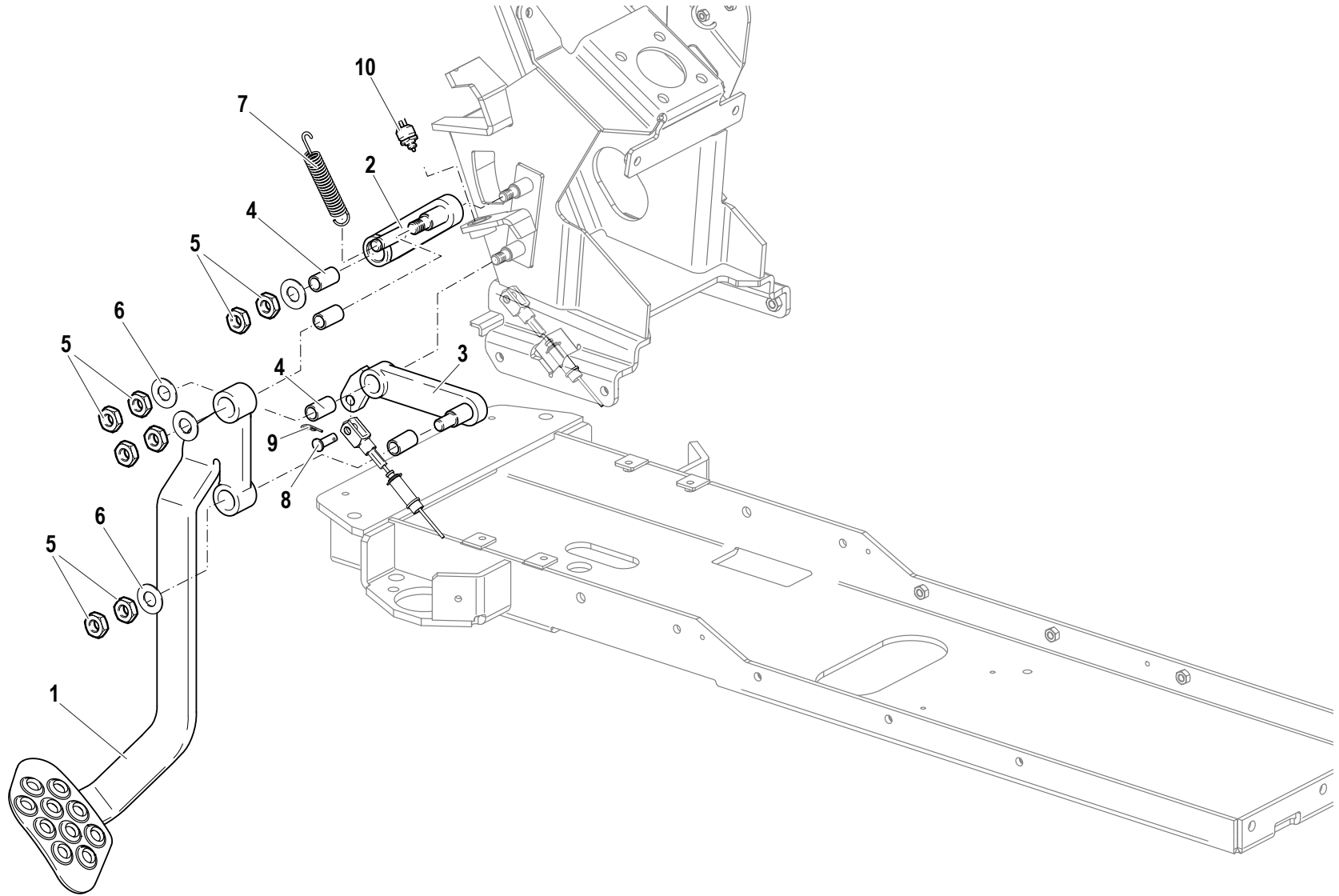
CODE REV

D.02.02_0_72102

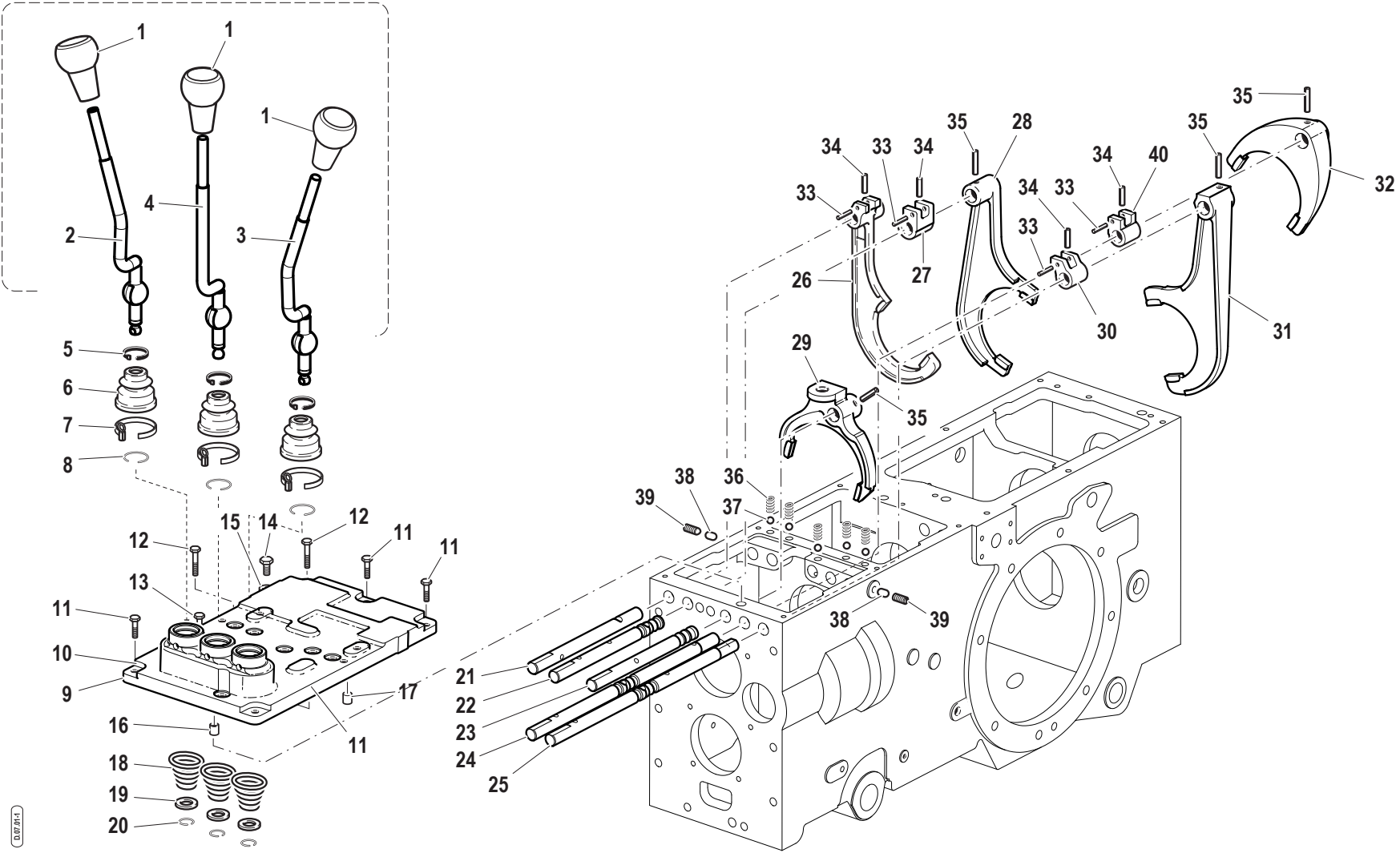
CLUTCH FRONT SHAFT / TRANSMISSION CLUTCH



Pos.	Code	Q.ty	Description	Notes
34	F0801455100	1	SEEGER RING I 135 UNI 7437	
35	52473655	1	HUB	



Pos.	Code	Q.ty	Description	Notes
1	59078773	1	CLUTCH PEDAL	
2	59077037	1	LEVER	
3	59078774	1	LEVER	
4	58176268	4	BUSHING	
5	F0814627000	8	NUT M10	
6	31411105	4	WASHER 10,5x21	
7	58077613	1	RESTORING SPRING	
8	F0860058020	1	PIN	
9	F0810510000	1	SPLIT PIN A2,0X20 UNI 1336	
10	30000638	1	SWITCH	



0.00001

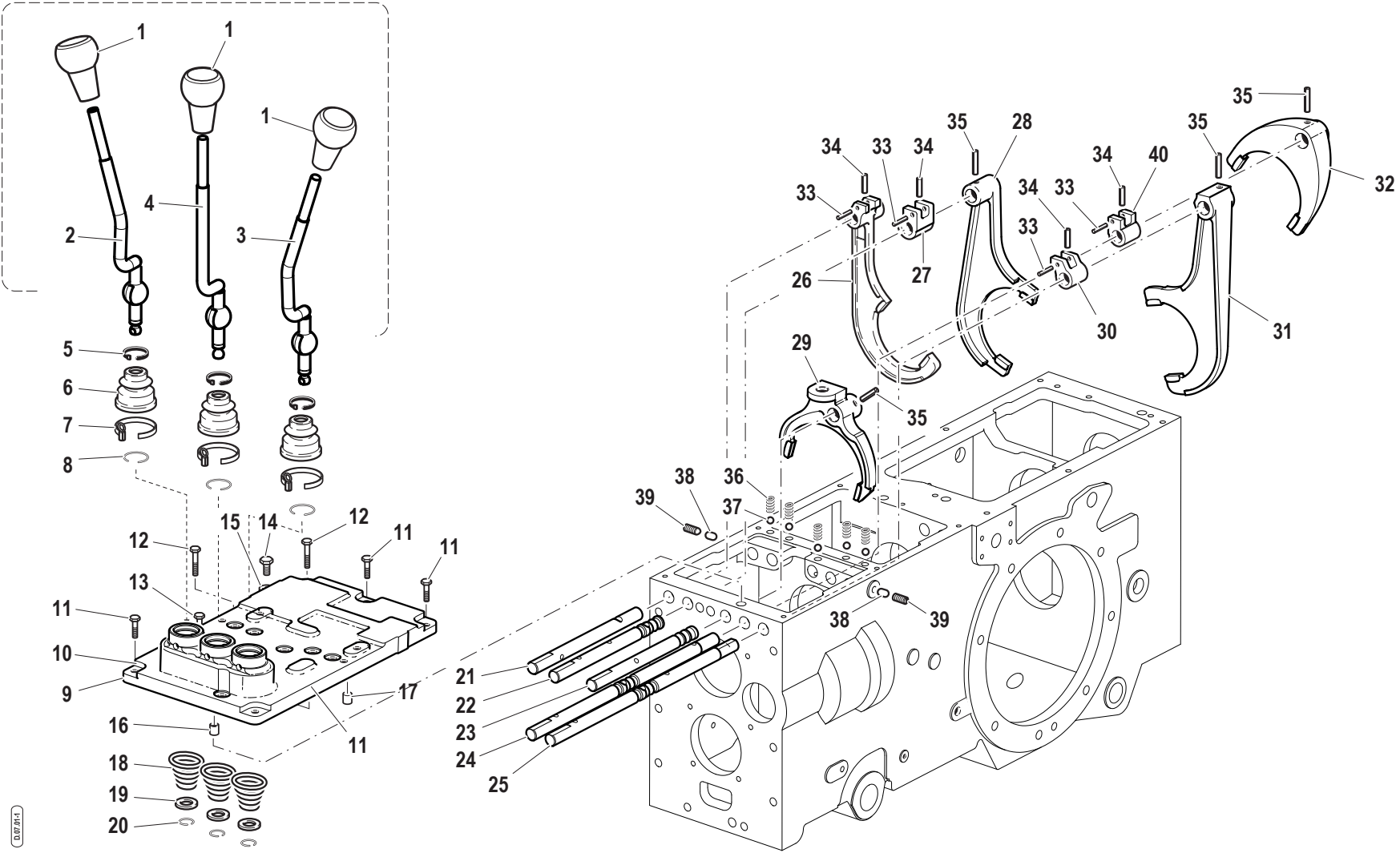
Pos.	Code	Q.ty	Description	Notes
1	58174192	3	HANDLE	
2	59078624	1	COMMAND LEVER	
3	59075908	1	COMMAND LEVER	
4	59075909	1	COMMAND LEVER	
5	F0817640003	3	CLAMP 4,8x180	
6	55170053	3	CAP	
7	58170054	3	COLLAR	
8	58070169	3	LOCKRING	
9	51178808	1	GEARBOX HOUSING COVER	
10	56370018	6	HINGE PIN	
11	31112146	4	SCREW TE M8X22 UNI 5739 8G	
12	31112152	3	SCREW TE M8X30 UNI 5739 8G	
13	31112154	1	SCREW TE M8X40 UNI 5739 8G	
14	56370186	5	PLUG	
15	F0843771000	5	COPPER WASHER 10,0x16/1	
16	56170017	1	PIN	
17	56570016	1	CYLINDRICAL PLUG	
18	58070164	3	SPRING	
19	56370172	3	SPACER	
20	58070168	3	LOCKRING	
21	56375895	1	PULL ROD	
22	56375894	1	PULL ROD	
23	56370165	1	ROD	
24	56378622	1	PULL ROD	
25	56378630	1	PULL ROD	
26	52275889	1	GEAR FORK	
27	52375896	1	CATCH	
28	52272112	1	SELECTOR FORK	
29	52275888	1	SELECTOR FORK	
30	52378629	1	CATCH	
31	51278623	1	SELECTOR FORK	
32	51270771	1	SELECTOR FORK	
33	F0851156000	4	PIN 4X30 DIN 1481 CL:C72	
34	F0851262000	4	PIN 6X26 DIN 7343 CL:C72	

SERIAL

GEARBOX CONTROLS

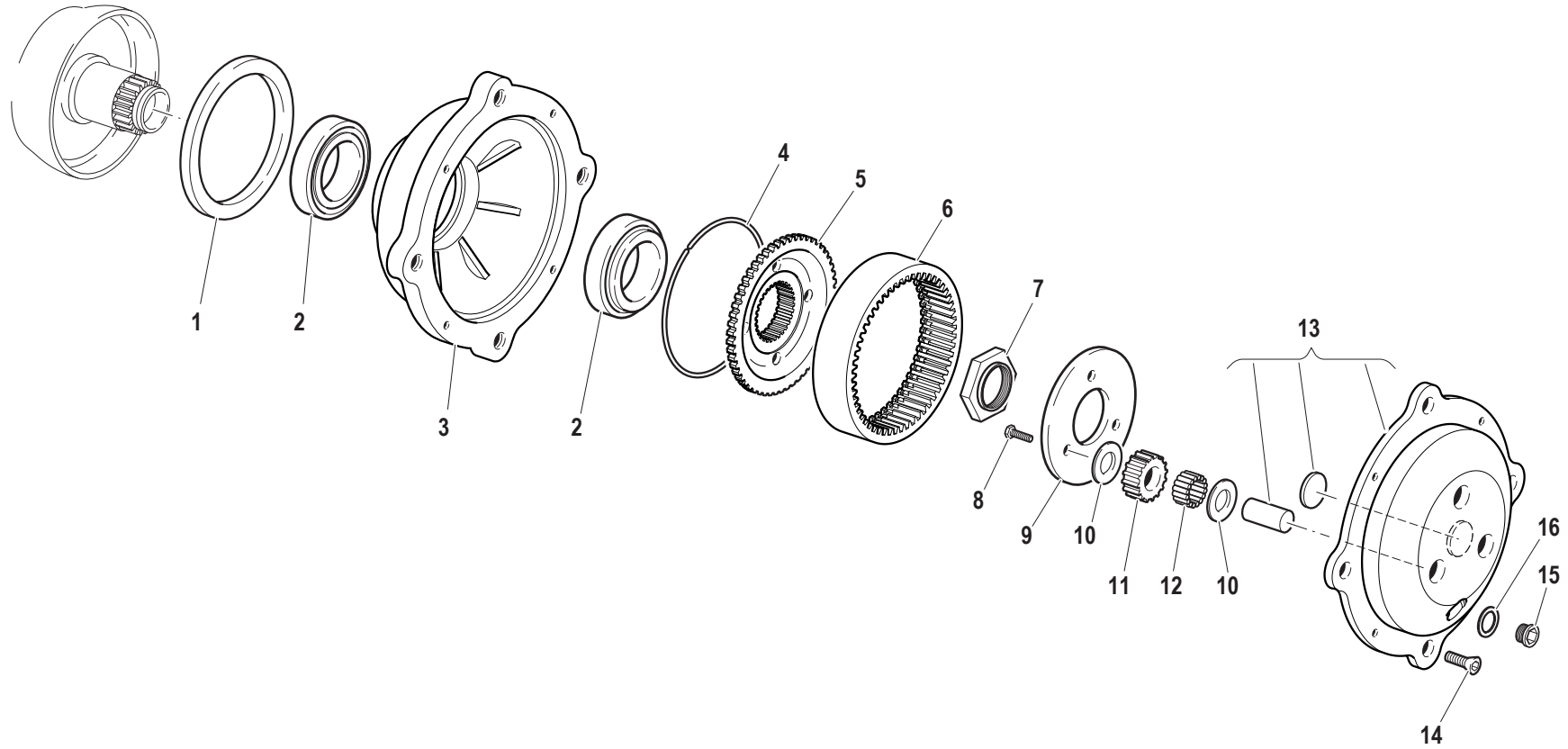
CODE REV

D.07.01_0_72027

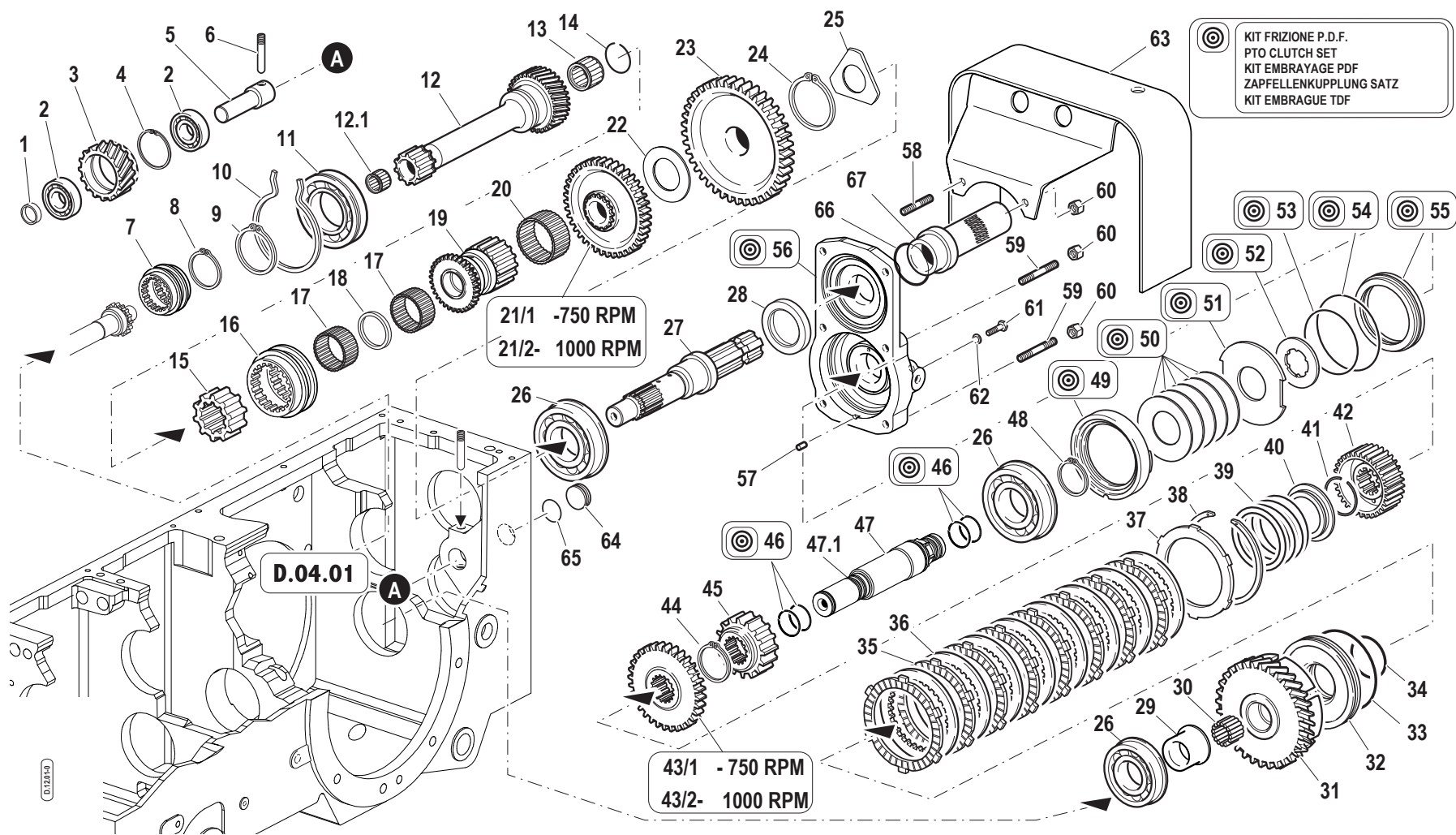


0.00001

Pos.	Code	Q.ty	Description	Notes
35	F0851267050	3	PIN 6X30 DIN 7343 CL:C72	
36	58070741	5	SPRING	
37	F0847434000	5	BALL	
38	56570125	2	TOGGLE	
39	F0863183000	2	SCREW M10X16 UNI 5923	
40	52378628	1	CATCH	



Pos.	Code	Q.ty	Description	Notes
1	F0802700150	2	SEAL 125x150x12	
2	F0812975250	4	CYL. ROLLER BEARING 32013X	
3	51172005	2	HUB	
4	58070071	2	RING	
5	52370075	2	FLANGE	
6	52370072	2	CROWN WHEEL	
7	56370079	2	RING NUT	
8	F0862478070	6	SCREW M8x16	
9	56170074	2	ADJUSTING RING	
10	56370076	12	SHIM	
11	52470087	6	PLANETARY GEAR	
12	58170070	6	ROLLER BEARING	
13	59070094	2	COVER	
14	F0862655000	8	SCREW M8X25-5933	
15	56370081	2	PLUG	
16	F0844273090	2	GASKET 22X28X1,5 CU 99,5	



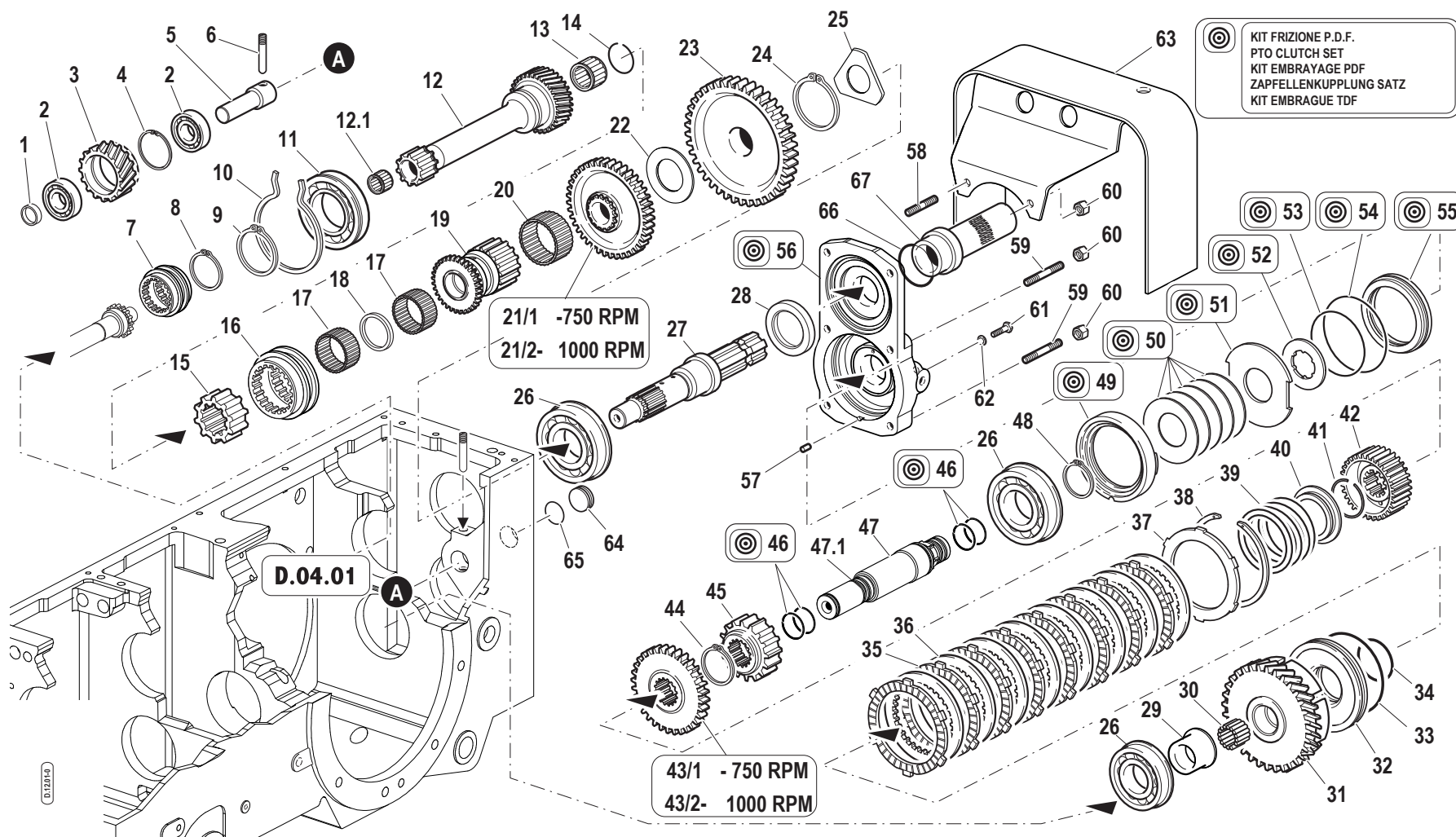
Pos.	Code	Q.ty	Description	Notes
1	56171572	1	SPACER	
2	F0812637000	2	BEARING 6204 (20x47x14)	
3	52476868	1	INTERMEDIATE WHEEL	
4	35111047	1	SEEGER RING I 47 DIN 472	
5	56174108	1	GEAR PIN	
6	56370178	1	SCREW	
7	52470298	1	SLEEVE	
8	35121040	1	SEEGER RING E 40 DIN 471	
9	F0801353000	1	SEEGER RING E 50 UNI 7435	
10	58170130	1	CIRCLIP	
11	F0812957010	1	BEARING 6210-N (50/90/20)	
12	52475661	1	PTO SHAFT 540/750/1000	
12.1	F0812599086	1	BUSHING HK1816	
13	F0812689050	1	ROLLER CAGE K 25X33/20	
14	F0801248000	1	SAFETY RING	
15	52476068	1	SLEEVE	
16	52476062	1	SHIFTING CLAW	
17	F0812784000	2	ROLLER CAGE K 32X37/27 H	
18	56076074	1	SPACER	
19	52476067	1	SLEEVE	
20	F0812951300	1	ROLLER CAGE K 50X55/27 H	
21/1	52476065	1	DRIVEN GEAR	
21/2	52476066	1	DRIVEN GEAR	
22	56475568	1	SHIM	
23	52475991	1	DRIVEN GEAR	
24	F0801244080	2	SEEGER RING E 32X2 UNI 7436	
25	56478567	1	SHIM	
26	F0812918010	2	BEARING 6308-NR (40x90x23)	
27	52475560	1	PTO SHAFT	
28	F0802228005	1	SEAL 48x65/10	
29	56470987	1	BUSHING	
30	F0812736010	1	ROLLER CAGE K 30X35/20 H	
31	52475562	1	CLUTCH HOUSING	
32	53273886	1	PISTON	

SERIAL

POWER TAKE-OFF

CODE REV

D.12.01_0_72156



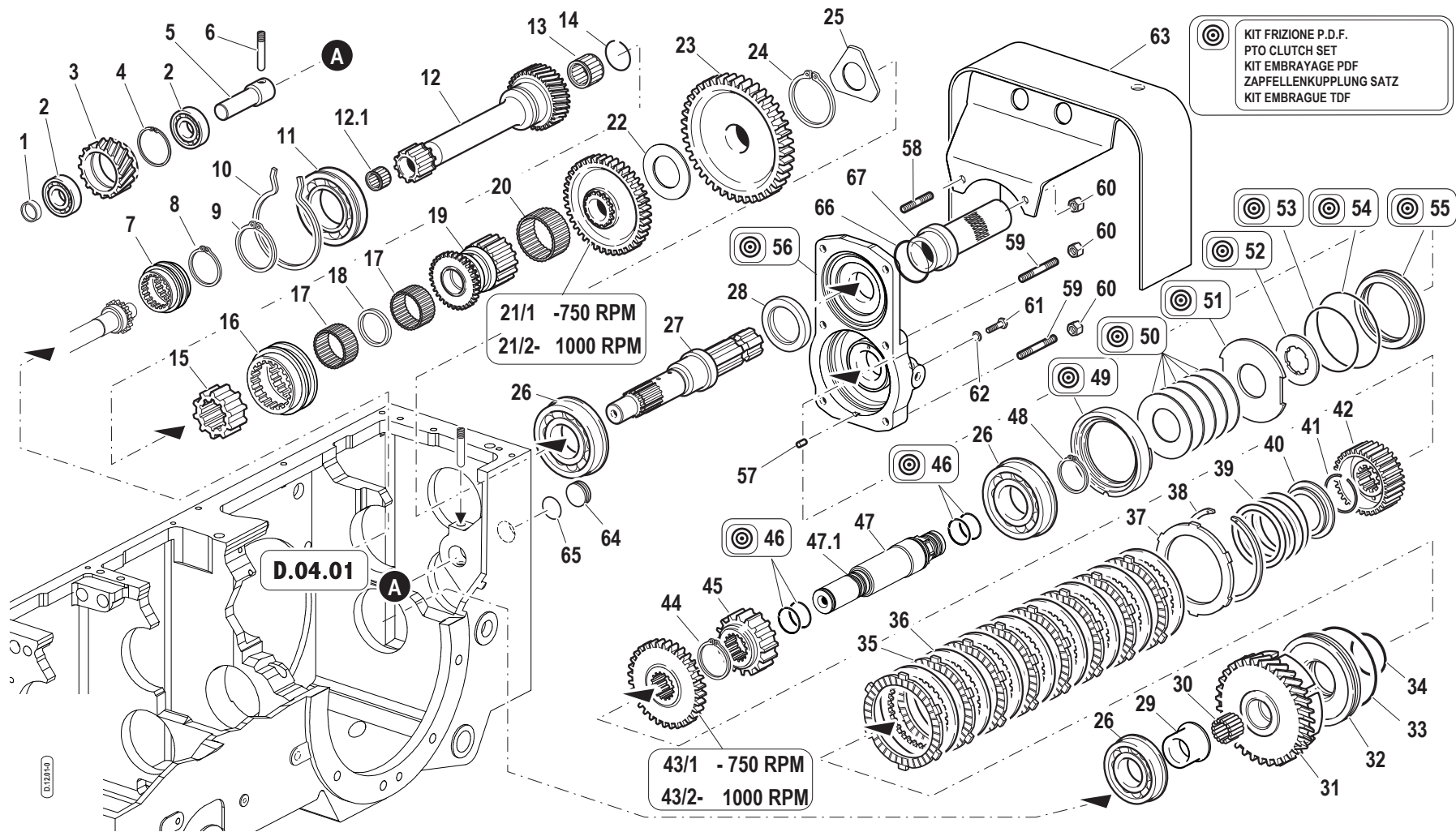
Pos.	Code	Q.ty	Description	Notes
33	58172400	1	GASKET	
34	58172402	1	GASKET	
35	58172447	8	DISC	
36	58172448	8	DISC	
37	52372292	1	RING	
38	58072389	1	CIRCLIP	
39	58074092	1	RESTORING SPRING	
40	56372282	1	RING	
41	58072399	1	SAFETY RING	
42	52475565	1	DISC HUB	
43/1	52475994	1	GEAR	
43/2	52475996	1	GEAR	
44	F0801282050	1	SEEGER RING E38 UNI 7436	
45	52475992	1	GEAR	
46	58072398	4	SEAL	
47	59276076	1	SHAFT	
48	F0801297050	1	SEEGER RING E 40x2,5 U/7436	
49	56475516	1	SPACER	
50	58075515	5	SPRING	
51	56475517	1	BRAKE DISC	
51	56475757	1	BRAKE DISC	
51	56473890	1	BRAKE DISC	
51	56474713	1	BRAKE DISC	
51	56475398	1	BRAKE DISC	
51	56475416	1	BRAKE DISC	
51	56475417	1	BRAKE DISC	
52	56475844	1	CLUTCH DISC	
53	38116317	1	RING	
54	38118720	1	O-RING	
55	53273891	1	PISTON	
56	59377433	1	COVER	
57	F0851226000	1	PIN 6X12 UNI 1707 CL:C20	
58	F0838154010	2	STUD BOLT M8X25 UNI 5911 8.8	
59	31312089	4	STUD BOLT M8x52x14x18	

SERIAL

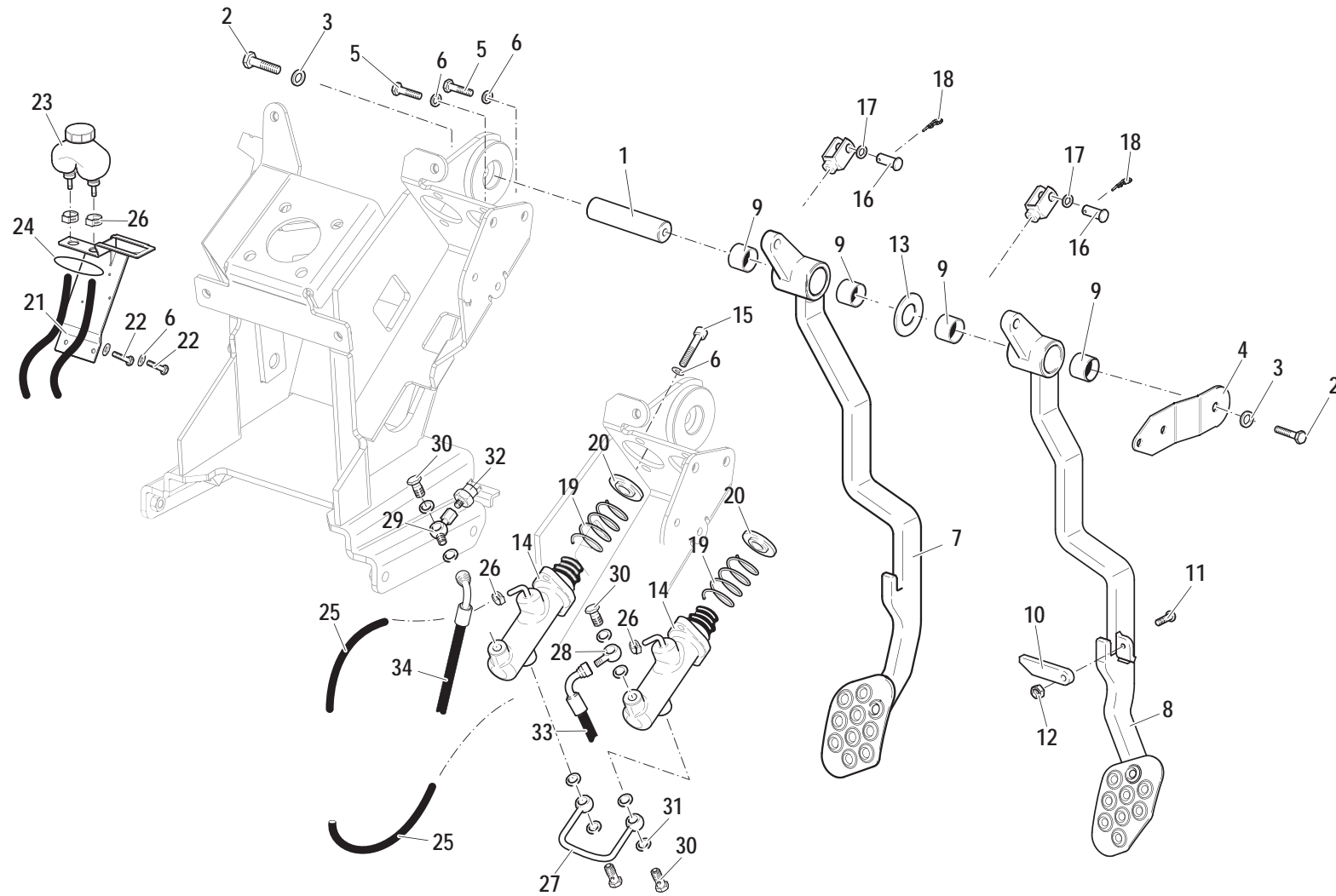
POWER TAKE-OFF

CODE REV

D.12.01_0_72156



Pos.	Code	Q.ty	Description	Notes
60	31211080	6	NUT M8	
61	F0862448100	1	SCREW M8X10 UNI 5740	
62	F0843641000	1	COPPER WASHER 8x14/1,5	
63	59074993	1	P.T.O. PROTECTION	
64	56074313	1	PLUG	
65	F0803199010	1	O-RING 132 (23,81X2,62)	
66	P47043300000	1	PROTECTIVE RING	
67	P47033000000	1	GUARD	



Pos.	Code	Q.ty	Description	Notes
1	56377007	1	PIN	
2	31112210	2	SCREW TE M10X20 UNI 5739	
3	F0843755000	2	WASHER 10	
4	56177008	1	BRACKET	
5	31112147	2	SCREW TE M8X18 UNI 5739 8G	
6	F0843643060	8	WASHER 8	
7	59078777	1	BRAKE PEDAL	
8	59078778	1	BRAKE PEDAL	
9	58176267	4	BUSHING	
10	56177848	1	SMALL PLATE	
11	F0862479040	1	SCREW M6X20 7380	
12	31211060	1	NUT M6	
13	56377043	1	SHIM	
14	58176236	2	BRAKE CYLINDER	
15	31152081	4	SCREW TCEI M8X20 UNI 5931	
16	56470365	2	PIN	
17	31411105	2	WASHER 10,5x21	
18	F0810510000	2	SPLIT PIN A2,0X20 UNI 1336	
19	58077401	2	RETAINING SPRING	
20	F0190021254	2	WASHER	
21	56177074	1	TANK SUPPORT	
22	31112150	2	SCREW TE M8X20 UNI 5739 8G	
23	P23817600000	1	TANK	
24	F0803259000	1	O-RING 144 (39,69x3,53)	
25	58073237	2	PIPE	
26	F0817500100	4	CLAMP 013,8-706R	
27	59076506	1	CONNECTION PIPE	
28	56176515	1	PIPE FITTING	
29	59078569	1	THREADED TERMINAL END	
30	F0843105200	4	PIPE FITTING M12x1,25	
31	F0843841000	8	COPPER WASHER 12,0x18/1,5	
32	58177033	1	PRESSURE SWITCH	
33	58078641	1	FLEXIBLE HOSE	
34	58078642	1	FLEXIBLE HOSE	

SERIAL

BRAKES CONTROL UNITS

CODE REV

D.14.01_0_76697

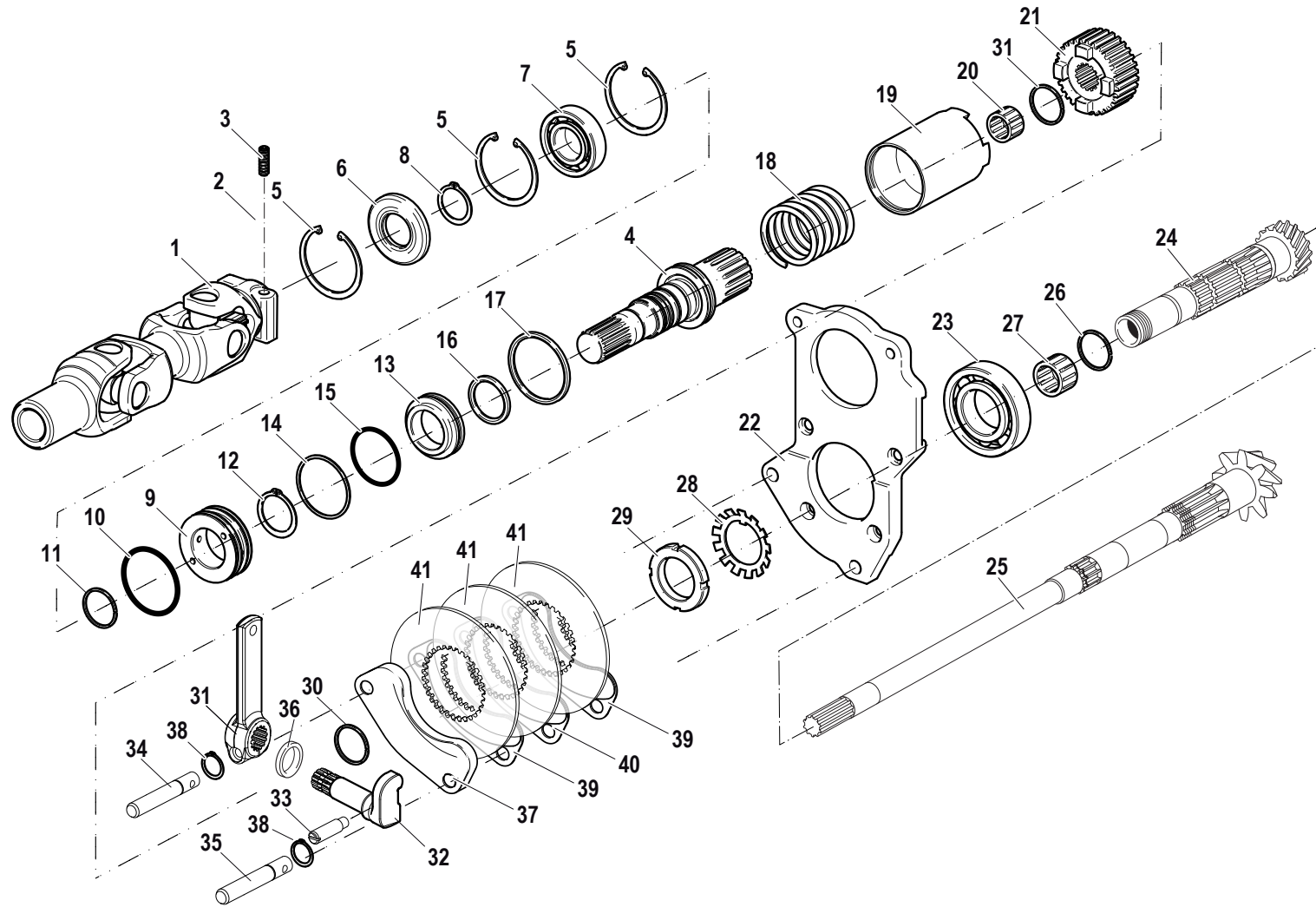
Pos.	Code	Q.ty	Description	Notes
1	58178810	1	JOINT	
2	31241080	1	SELFLOCK NUT M8	
3	F0862657000	1	GRAIN	
4	52478812	1	SHAFT	
5	35111062	3	SEEGER RING I 62 DIN 472	
6	F0802125100	1	OIL SEAL 30X62X7	
7	37111299	1	BEARING	
8	35121031	1	SEEGER RING E 30 UNI 7436	
9	56377906	1	MANIFOLD	
10	F0803210000	2	O-RING 3225(38115682)	
11	58077908	2	RING	
12	F0801264050	1	SEEGER RING E 35X2,5 U/7436	
13	56075831	1	PISTON	
14	F0801380100	1	SAFETY RING	
15	F0803209080	1	O-RING 3200 50,47x2,62	
16	58175837	1	GASKET	
17	58175838	1	GASKET	
18	58075833	1	SPRING	
19	52475835	1	SLIDING SLEEVE	
20	37320220	1	ROLLER CAGE 20x26/17	
21	52475836	1	FIX SLEEVE	
22	51175810	1	FRONT COVER	
23	F0812899000	1	BEARING 6208-NR	
24	52478613	1	COUNTERSHAFT	
25	59376016	1	BEVEL GEAR	
26	F0801241005	2	SAFETY RING	
27	F0812689000	1	ROLLER CAGE K 25X30/20 H	
28	F0844539000	1	WASHER	
29	F0821054000	1	RING NUT KM 8(M40X1,5)DIN 981	
30	F0801190100	1	SAFETY RING	
31	56577429	1	LEVER	
32	56579291	1	RIG PIN	
33	56375829	1	STUD BOLT	
34	56376255	1	STUD BOLT	

SERIAL

FRONT DRIVE

CODE REV

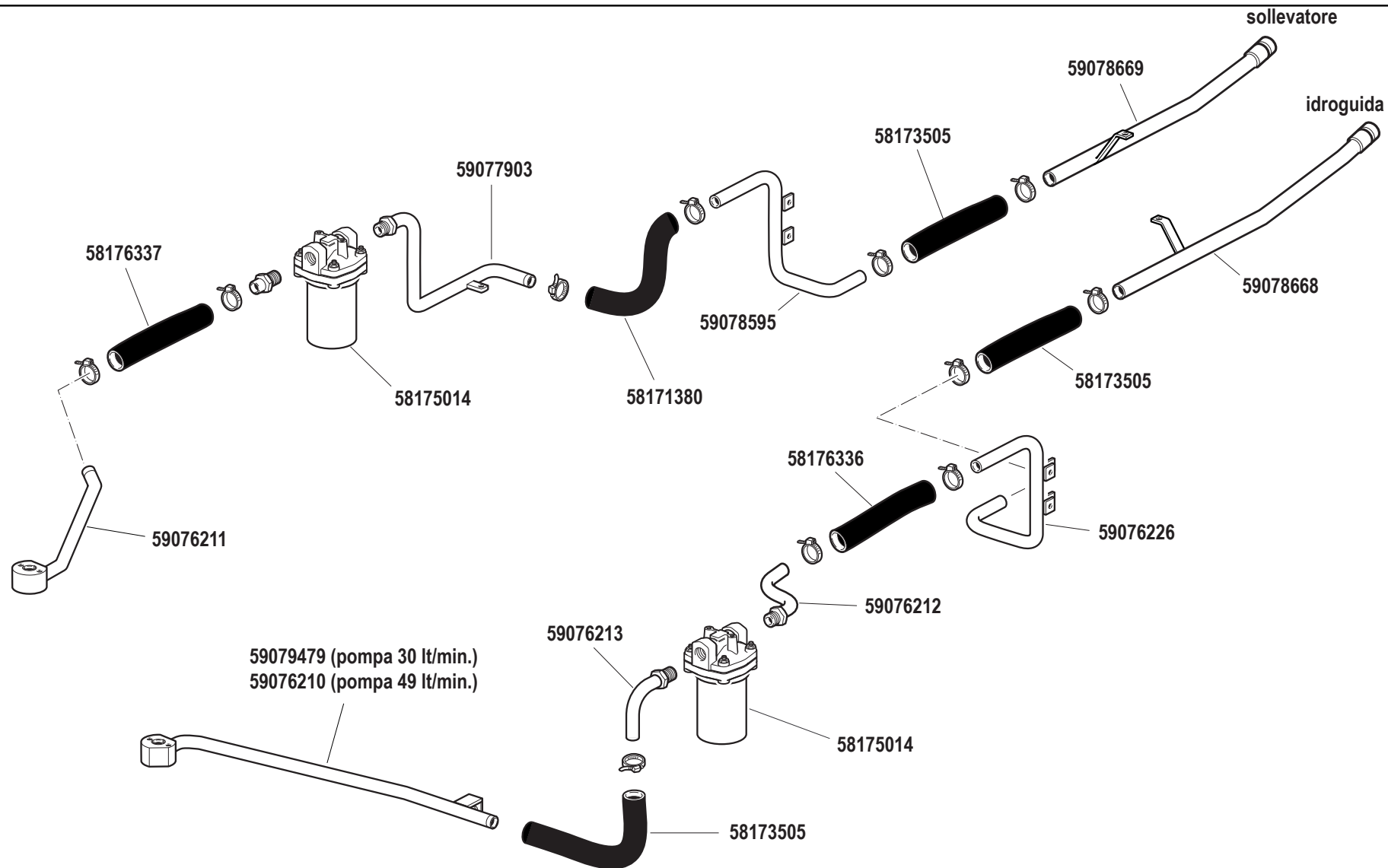
D.16.01_0_72233



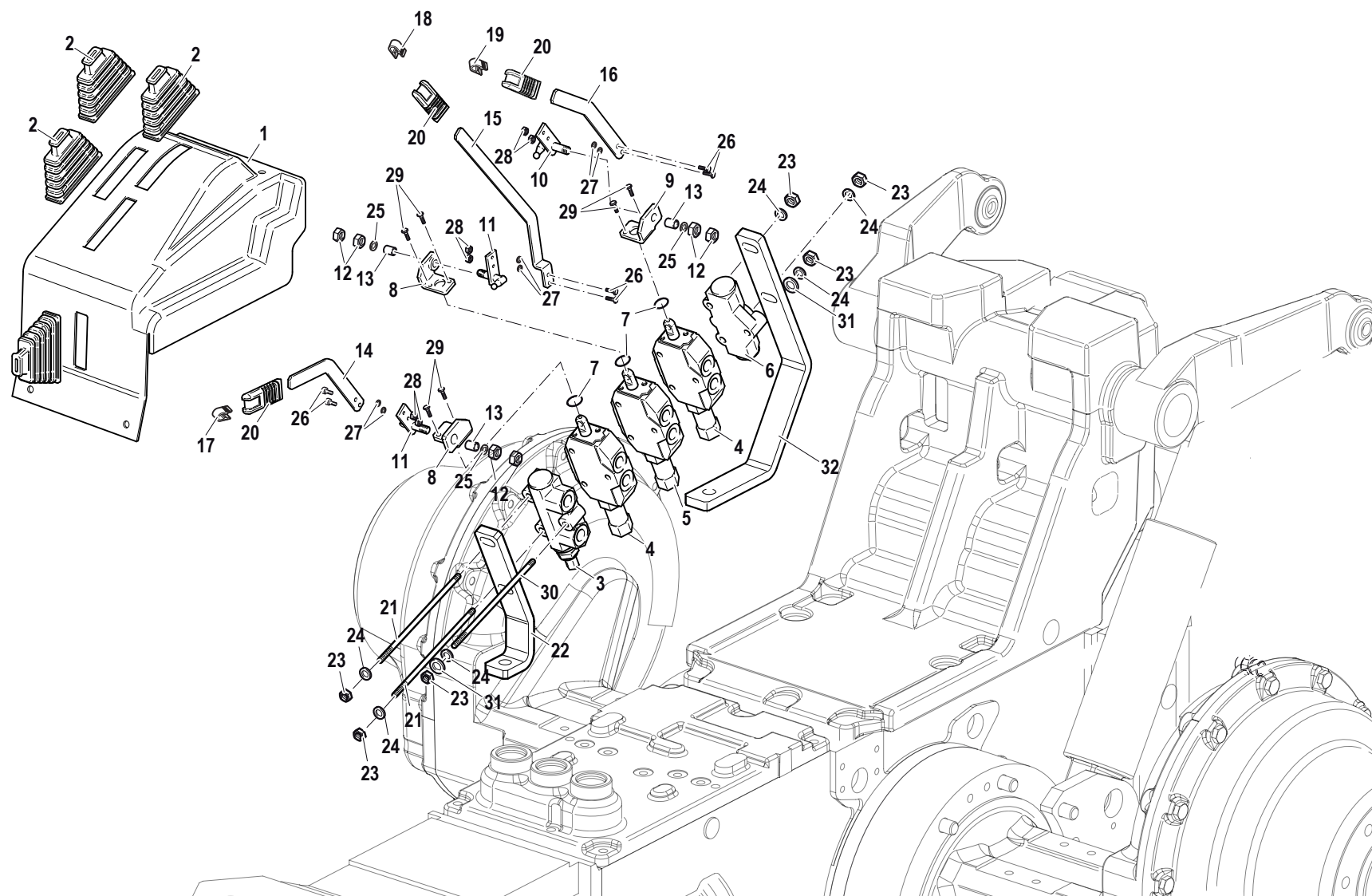
D.16.01.0

Pos.	Code	Q.ty	Description	Notes
35	56376243	1	STUD BOLT	
36	38212601	1	OIL SEAL 25X32X7	
37	52475817	1	SLIDING BLOCK	
38	35121012	1	SEEGER RING E 12 DIN 471	
39	58175816	1	SECTOR	
40	58175818	1	SECTOR	
41	56375819	1	DISC	

HYDR. SYSTEM DOUBLE OIL SUCTION



Pos.	Code	Q.ty	Description	Notes
58171380	58171380	1	FLEXIBLE HOSE	
58173505	58173505	1	FLEXIBLE HOSE	
58175014	58175014	1	FILTER	
58176336	58176336	1	SUCTION PIPE	
58176337	58176337	1	SUCTION PIPE	
59076210	59076210	1	SUCTION PIPE	
59076211	59076211	1	SUCTION PIPE	
59076212	59076212	1	PIPE	
59076213	59076213	1	PIPE	
59076226	59076226	1	PIPE	
59077903	59077903	1	PIPE	
59078595	59078595	1	PIPE	
59078668	59078668	1	SUCTION PIPE	
59078669	59078669	1	SUCTION PIPE	
59079479	59079479	1	SUCTION PIPE	



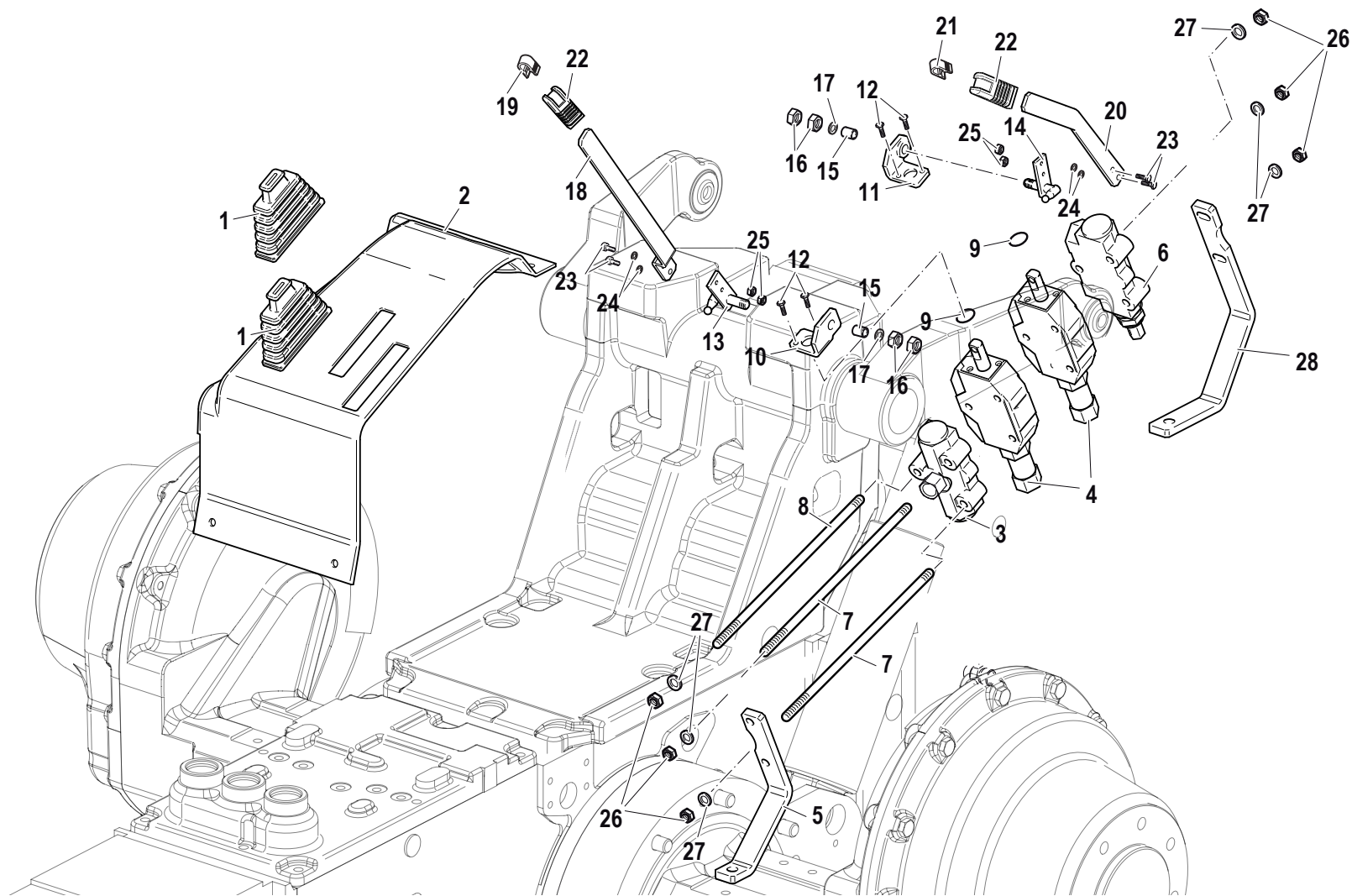
Pos.	Code	Q.ty	Description	Notes
1	57378937	1	COVER	
2	55178581	3	BELLOWS	
3	58176872	1	HEAD	
4	58176876	2	D.A. VALVE	
5	58176874	1	S.A. VALVE	
6	58172489	1	COVER	
7	58176938	3	GASKET	
8	59076262	2	SUPPORT	
9	59076261	1	SUPPORT	
10	59076263	1	LEVER	
11	59076264	2	LEVER	
12	F0814627000	6	NUT M10	
13	P00000030911	3	BUSHING	
14	56178947	1	COMMAND LEVER	
15	56178949	1	COMMAND LEVER	
16	56178948	1	COMMAND LEVER	
17	58176866	1	INSERT	
18	58175211	1	INSERT	
19	58176867	1	INSERT	
20	58175187	3	KNOB	
21	56178970	2	ROD	
22	56178969	1	BRACKET	
23	31211080	6	NUT M8	
24	F0843643060	6	WASHER 8	
25	31423105	3	SPRING WASHER 10,5	
26	F0861929060	6	SCREW M5X12 UNI 5739	
27	F0843561000	6	WASHER 5	
28	31211050	6	NUT M5	
29	P00000000511	6	SCREW M5X12 UNI 5931 8G	
30	58172017	1	ROD	
31	31411084	2	WASHER 8,4x17	
32	56178722	1	FIXING BRACKET	

SERIAL

LEVERS DISTRIBUTORS

CODE REV

I.01.02_0_76866



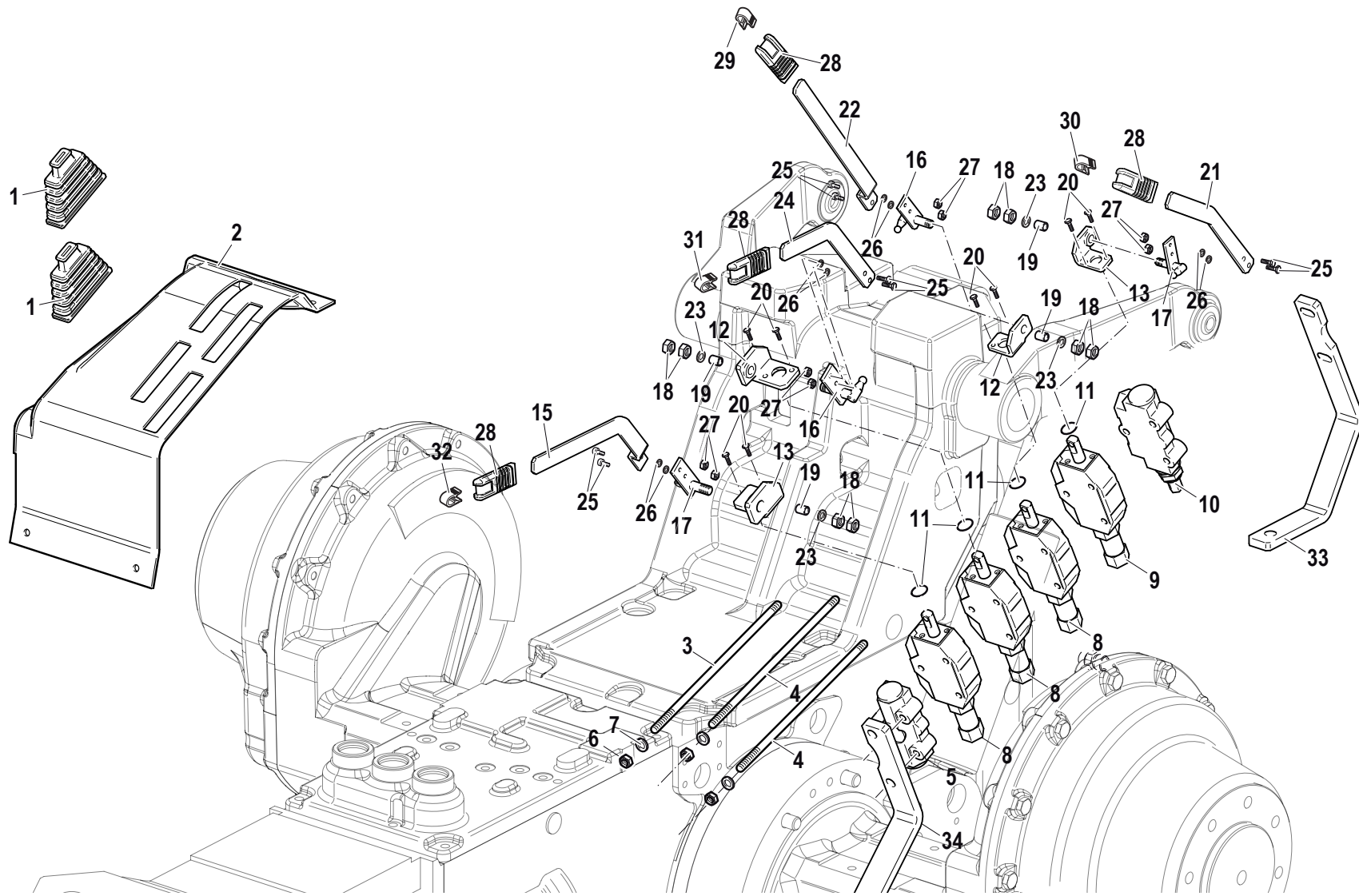
Pos.	Code	Q.ty	Description	Notes
1	55178581	4	BELLOWS	
2	57379027	1	COVER	
3	58176873	1	COVER	
4	58176875	2	D.A. VALVE	
5	56178721	1	FIXING BRACKET	
6	58176872	1	HEAD	
7	56176997	2	ROD	
8	58172016	1	ROD	
9	58176938	2	GASKET	
10	59076261	1	SUPPORT	
11	59076262	1	SUPPORT	
12	P00000000511	4	SCREW M5X12 UNI 5931 8G	
13	59076263	1	LEVER	
14	59076264	1	LEVER	
15	P00000030911	2	BUSHING	
16	F0814627000	4	NUT M10	
17	31423105	2	SPRING WASHER 10,5	
18	56178948	1	COMMAND LEVER	
19	58175188	1	INSERT	
20	56178951	1	COMMAND LEVER	
21	58175211	1	INSERT	
22	58175187	2	KNOB	
23	F0861929060	4	SCREW M5X12 UNI 5739	
24	F0843561000	4	WASHER 5	
25	31211050	4	NUT M5	
26	31211080	6	NUT M8	
27	F0843643060	6	WASHER 8	
28	56178722	1	FIXING BRACKET	

SERIAL

LEVERS DISTRIBUTORS

CODE REV

I.01.03_0_76899



Pos.	Code	Q.ty	Description	Notes
1	55178581	2	BELLOWS	
2	57378698	1	COVER	
3	58172018	1	ROD	
4	56176890	2	ROD	
5	58176873	1	COVER	
6	31211080	6	NUT M8	
7	F0843643060	6	WASHER 8	
8	58176875	3	D.A. VALVE	
9	58176874	1	S.A. VALVE	
10	58176872	1	HEAD	
11	58176938	4	GASKET	
12	59076261	2	SUPPORT	
13	59076262	2	SUPPORT	
15	56178950	1	COMMAND LEVER	
16	59076263	2	LEVER	
17	59076264	2	LEVER	
18	F0814627000	8	NUT M10	
19	P00000030911	4	BUSHING	
20	P00000000511	8	SCREW M5X12 UNI 5931 8G	
21	56178951	1	COMMAND LEVER	
22	56178948	1	COMMAND LEVER	
23	31423105	4	SPRING WASHER 10,5	
24	56178947	1	COMMAND LEVER	
25	F0861929060	8	SCREW M5X12 UNI 5739	
26	F0843561000	8	WASHER 5	
27	31211050	8	NUT M5	
28	58175187	4	KNOB	
29	58175188	1	INSERT	
30	58175211	1	INSERT	
31	58176867	1	INSERT	
32	58176866	1	INSERT	
33	56178722	1	FIXING BRACKET	
34	56178720	1	FIXING BRACKET	

SERIAL

LEVERS DISTRIBUTORS

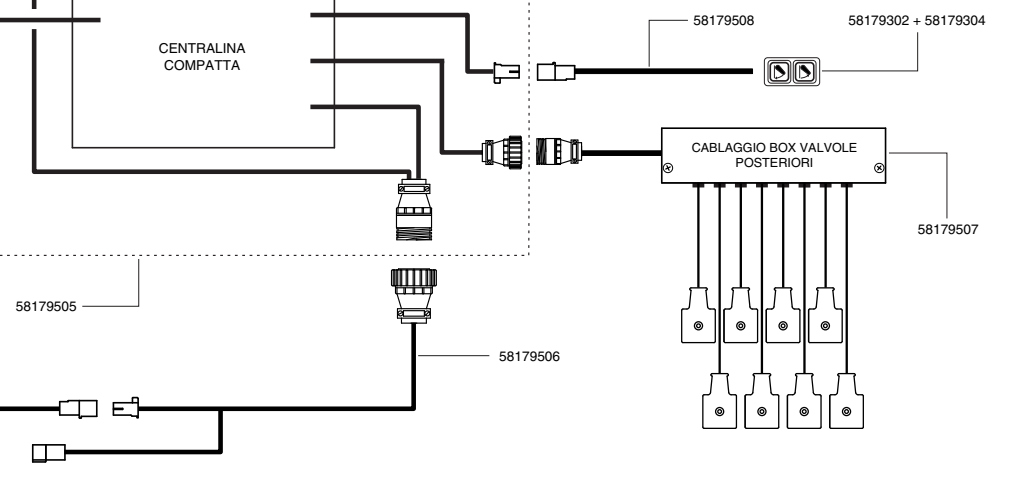
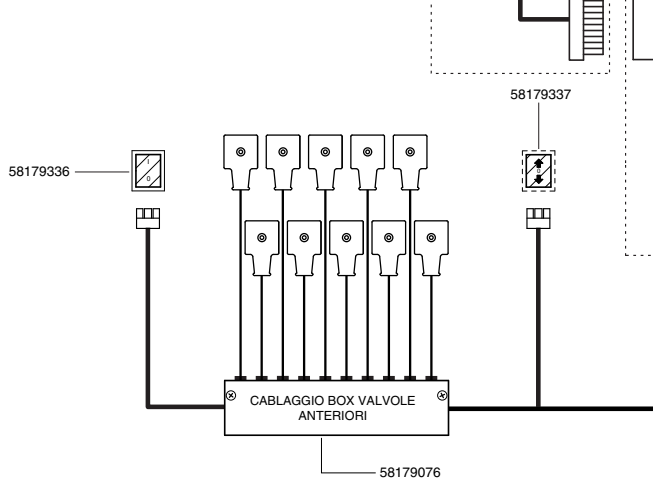
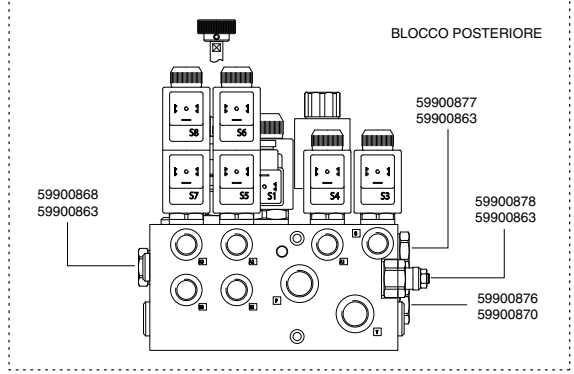
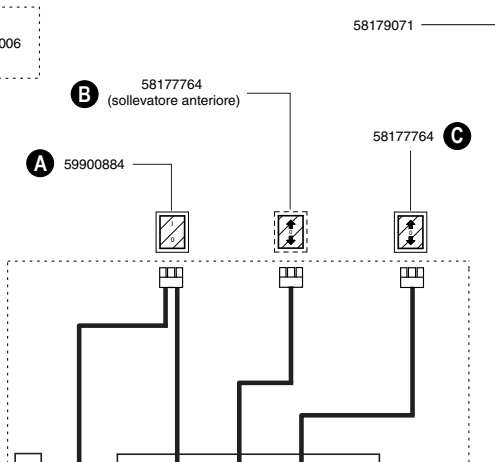
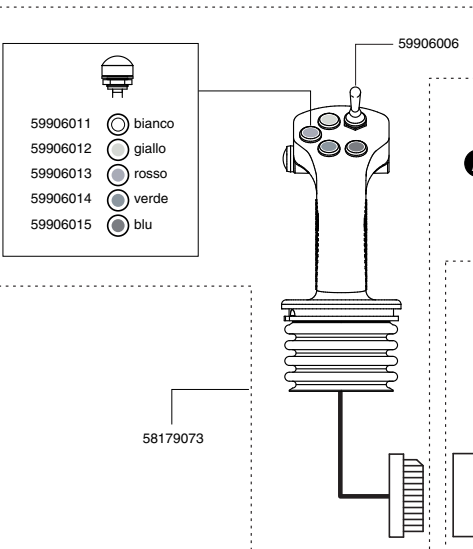
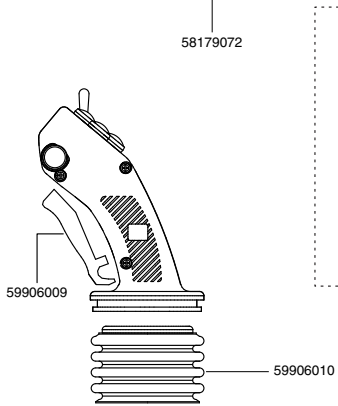
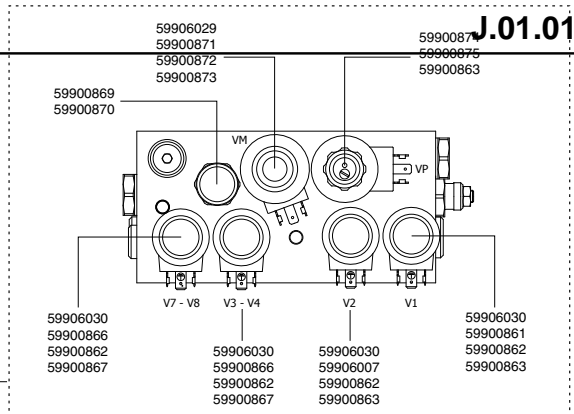
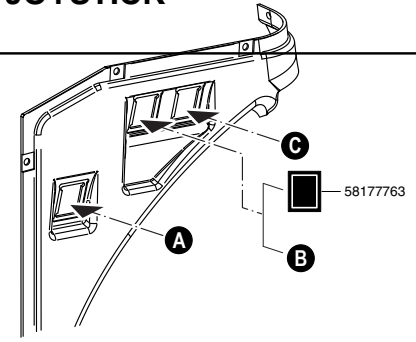
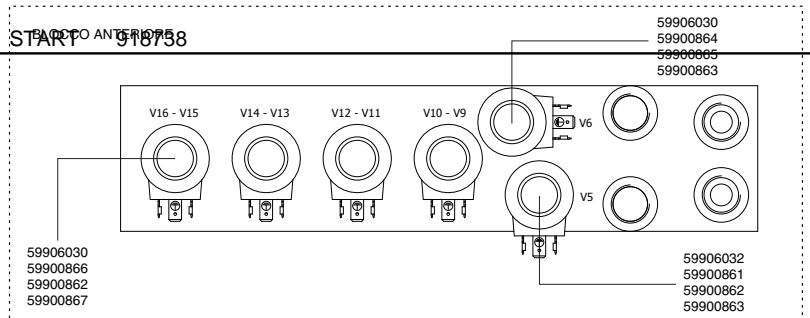
CODE REV

I.01.04_0_76928

JOYSTICK

SERIAL

START ANTE 518758



58179505

58179506

58179076

Pos.	Code	Q.ty	Description	Notes
58177763	58177763	1	HOLECOVER	
58177764	58177764	1	CHANGE-OVER SWITCH	
58179071	58179071	1	LOCKING MECHANISM	
58179072	58179072	1	LOCKING MECHANISM	
58179073	58179073	1	JOYSTICK	
58179076	58179076	1	CABLE	
58179302	58179302	1	SWITCH	
58179304	58179304	1	SMALL BLOCK	
58179336	58179336	1	PUSH-BUTTON	
58179337	58179337	1	CHANGE-OVER SWITCH	
58179505	58179505	1	CENTRAL PROCESSING UNIT	
58179506	58179506	1	CABLE	
58179507	58179507	1	CABLE	
58179508	58179508	1	CABLE	
59900861	59900861	1	ELECTRO VALVE	
59900862	59900862	1	COIL	
59900863	59900863	1	GASKET SET	
59900864	59900864	1	ELECTRO VALVE	
59900865	59900865	1	COIL	
59900866	59900866	1	ELECTRO VALVE	
59900867	59900867	1	GASKET SET	
59900868	59900868	1	VALVE	
59900869	59900869	1	VALVE	
59900870	59900870	1	GASKET SET	
59900871	59900871	1	ELECTRO VALVE	
59900872	59900872	1	COIL	
59900873	59900873	1	GASKET SET	
59900874	59900874	1	ELECTRO VALVE	
59900875	59900875	1	COIL	
59900876	59900876	1	VALVE	
59900877	59900877	1	VALVE	
59900878	59900878	1	VALVE	
59900884	59900884	1	SWITCH	
59906006	59906006	1	SWITCH	

SERIAL
START
918738

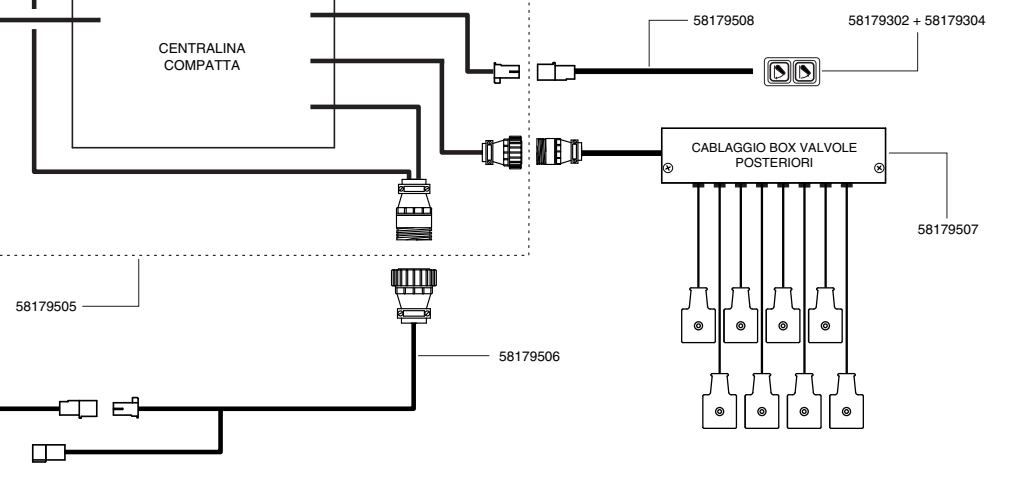
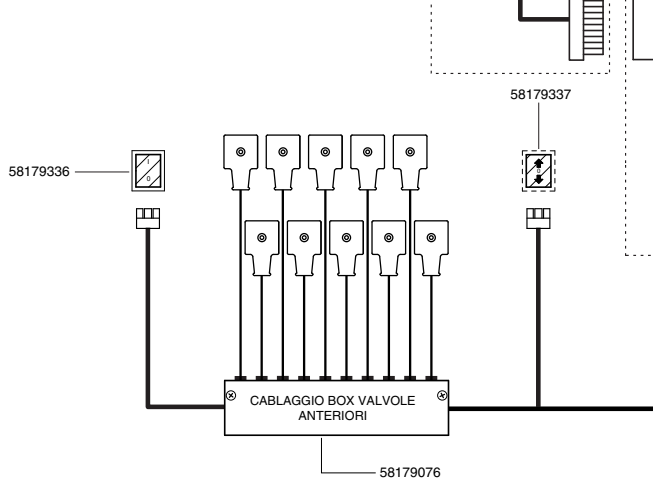
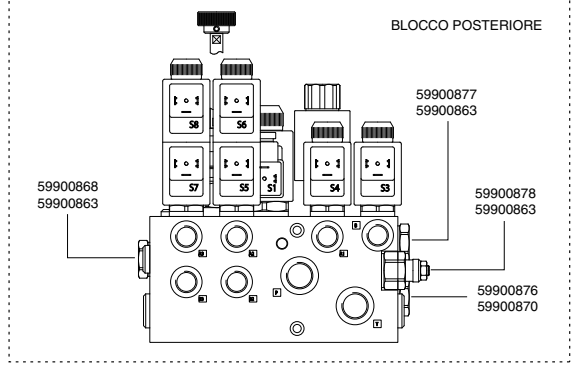
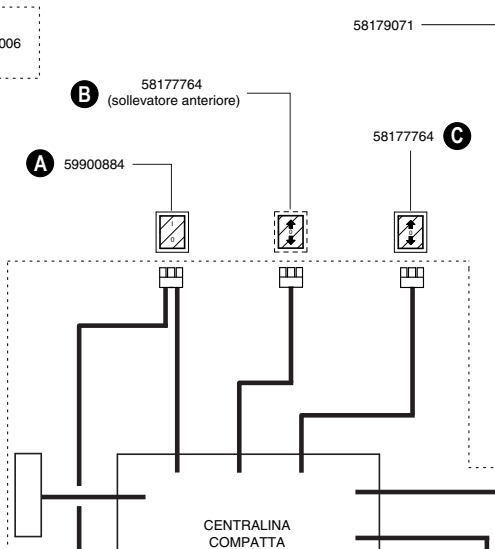
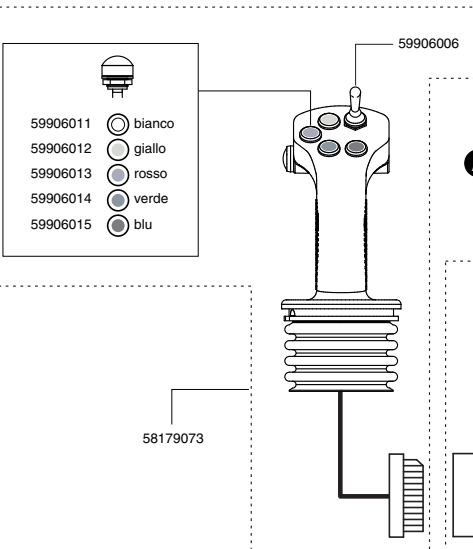
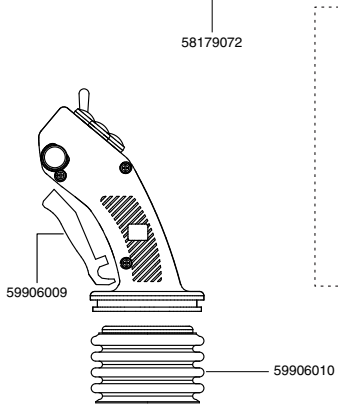
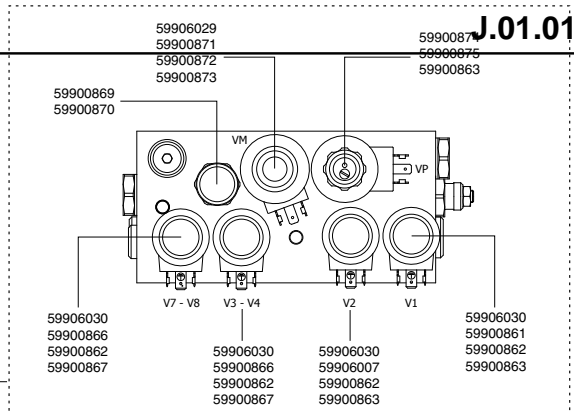
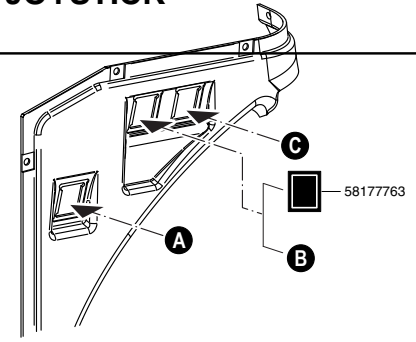
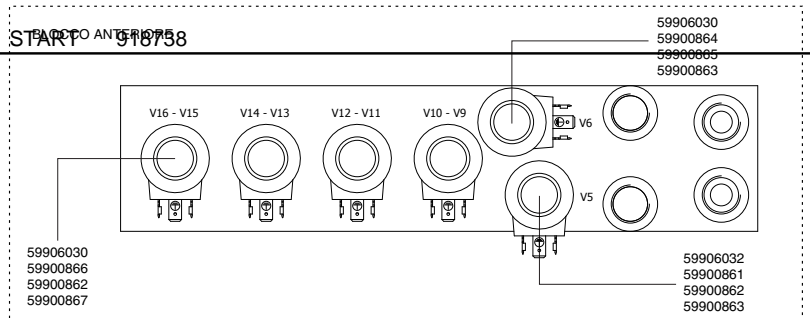
JOYSTICK

CODE REV
J.01.01_1_63179

JOYSTICK

SERIAL

START 518758

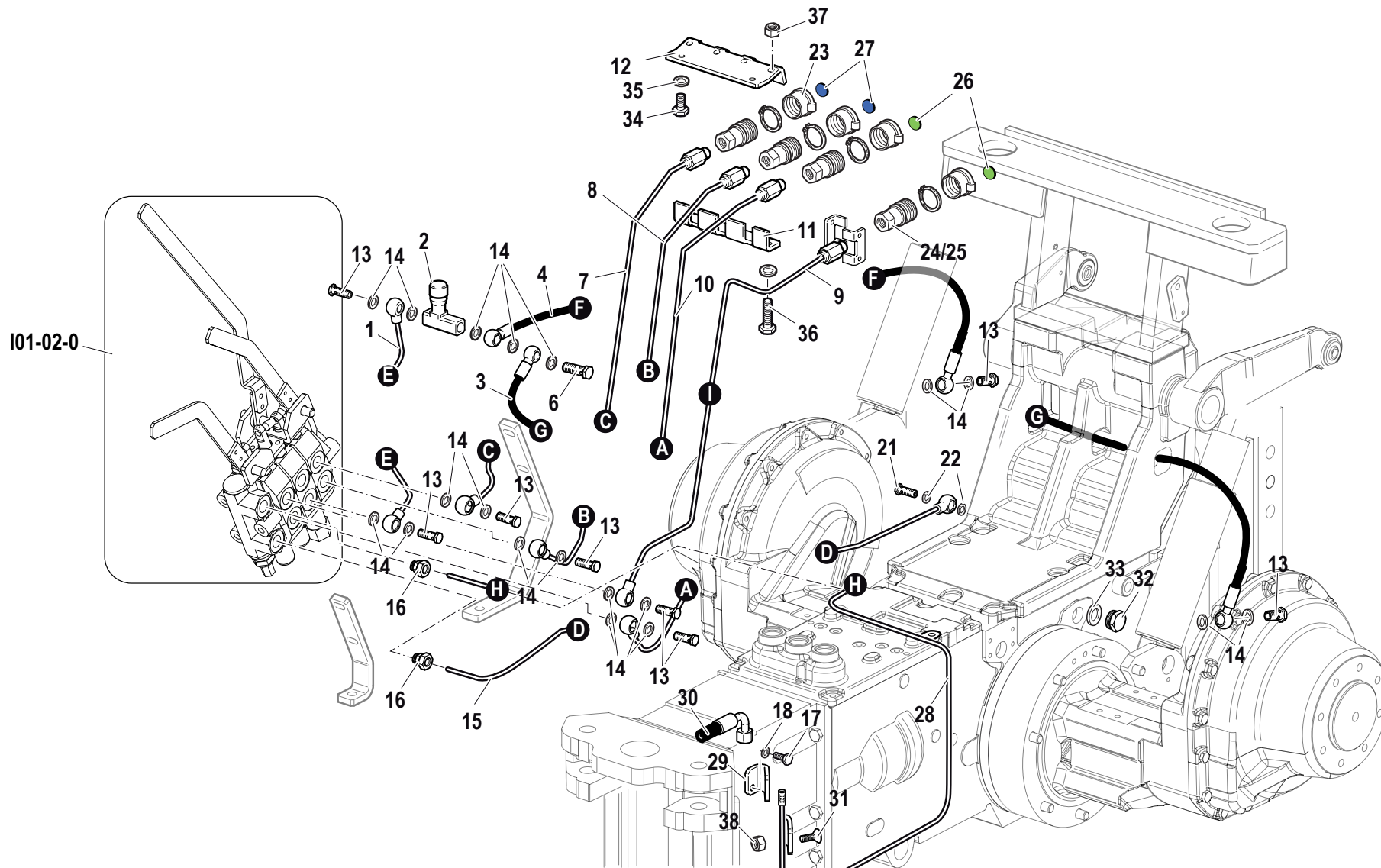


Pos.	Code	Q.ty	Description	Notes
59906009	59906009	1	KIT	
59906011	59906011	1	PUSH-BUTTON	
59906012	59906012	1	PUSH-BUTTON	
59906013	59906013	1	PUSH-BUTTON	
59906014	59906014	1	PUSH-BUTTON	
59906015	59906015	1	PUSH-BUTTON	

SERIAL
START
918738

JOYSTICK

CODE REV
J.01.01_1_63179



Pos.	Code	Q.ty	Description	Notes
1	59079113	1	PRESSURE PIPE	
2	P24117100000	1	VALVE	
3	58079254	1	FLEXIBLE HOSE	
4	58079255	1	FLEXIBLE HOSE	
6	58170693	1	PIPE FITTING	
7	59079091	1	PIPE	
8	59079092	1	PIPE	
9	59079093	1	PIPE	
10	59079094	1	PIPE	
11	56178729	1	COMB	
12	56178730	1	COMB	
13	F0843109020	9	PIPE FITTING	
14	F0824110000	21	COPPER WASHER 3/8 GAS	
15	59079112	1	EXHAUST	
16	30000244	1	PIPE FITTING	
17	31112147	1	SCREW TE M8X18 UNI 5739 8G	
18	F0843643060	8	WASHER 8	
21	F0843116000	1	PIPE FITTING 1/2	
22	F0824141000	2	COPPER WASHER 21x27/1,5	
23	F0852550100	5	PLUG	
24	F0825980032	5	COUPLING	
25	F0825981000	5	COUPLING	
26	F0852550220	2	DECAL	
27	F0852550230	2	DECAL	
28	59079109	1	PRESSURE PIPE	
29	56179034	1	BRACKET	
30	58077114	1	FLEXIBLE HOSE	
31	31133600	1	SCREW TSVEI M10X25 U5933	
33	F0844273090	2	GASKET 22X28X1,5 CU 99,5	
34	31111151	2	SCREW TE M8X16 UNI 5739 8G	
36	31112161	3	SCREW TE M8X50 UNI 5737 8G	
37	31211080	3	NUT M8	
38	F0814632000	1	NUT M10	

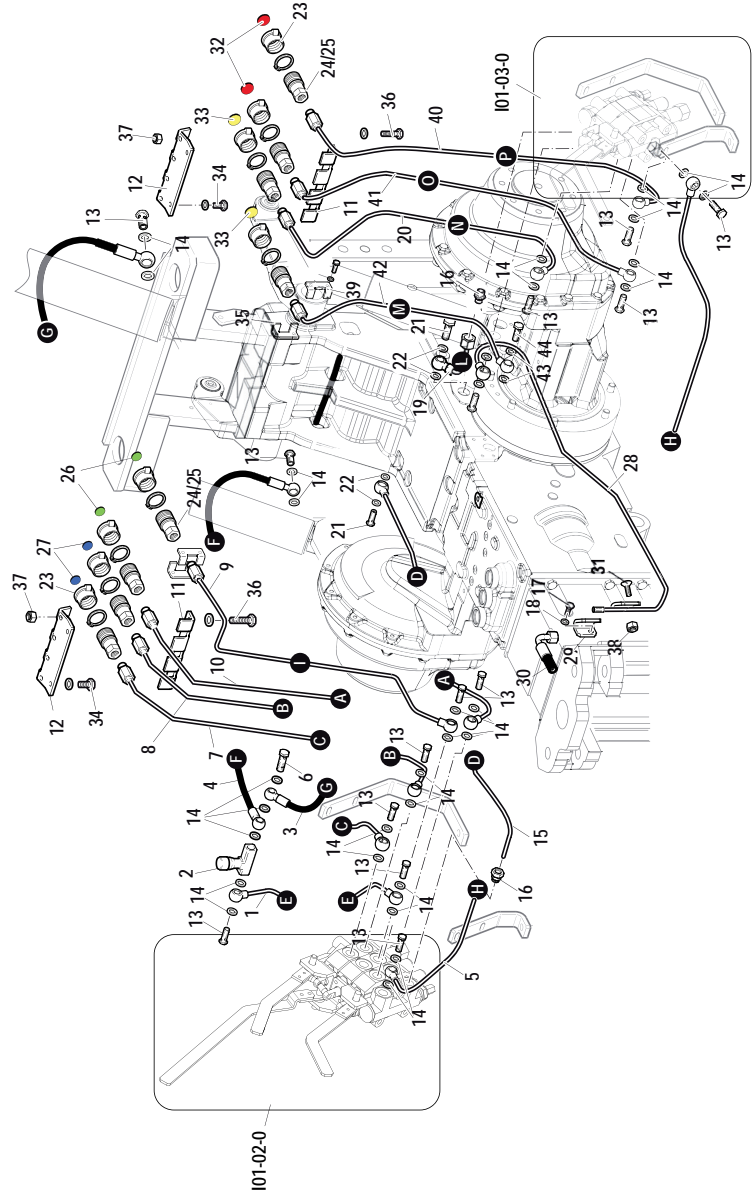
SERIAL

CONTROL VALVES EQUIPMENT

CODE REV

L.02.01_0_76778

CONTROL VALVES EQUIPMENT



Pos.	Code	Q.ty	Description	Notes
1	59079113	1	PRESSURE PIPE	
2	P24117100000	1	VALVE	
3	58079254	1	FLEXIBLE HOSE	
4	58079255	1	FLEXIBLE HOSE	
5	59079111	1	PIPE	
6	58170693	1	PIPE FITTING	
7	59079091	1	PIPE	
8	59079092	1	PIPE	
9	59079093	1	PIPE	
10	59079094	1	PIPE	
11	56178729	2	COMB	
12	56178730	2	COMB	
13	F0843109020	19	PIPE FITTING	
14	F0824110000	29	COPPER WASHER 3/8 GAS	
15	59079112	1	EXHAUST	
16	30000244	2	PIPE FITTING	
17	31112147	1	SCREW TE M8X18 UNI 5739 8G	
18	F0843643060	35	WASHER 8	
19	59079114	1	EXHAUST	
20	59079096	1	PIPE	
21	F0843116000	2	PIPE FITTING 1/2	
22	F0824141000	4	COPPER WASHER 21x27/1,5	
23	F0852550100	8	PLUG	
24	F0825981000	8	COUPLING	
25	F0825980032	8	COUPLING	
26	F0852550220	2	DECAL	
27	F0852550230	2	DECAL	
28	59079243	1	PRESSURE PIPE	
29	56179034	1	BRACKET	
30	58077114	1	FLEXIBLE HOSE	
31	31133600	1	SCREW TSVEI M10X25 U5933	
32	F0852550200	2	DECAL	
33	F0852550210	2	DECAL	
34	31111151	4	SCREW TE M8X16 UNI 5739 8G	

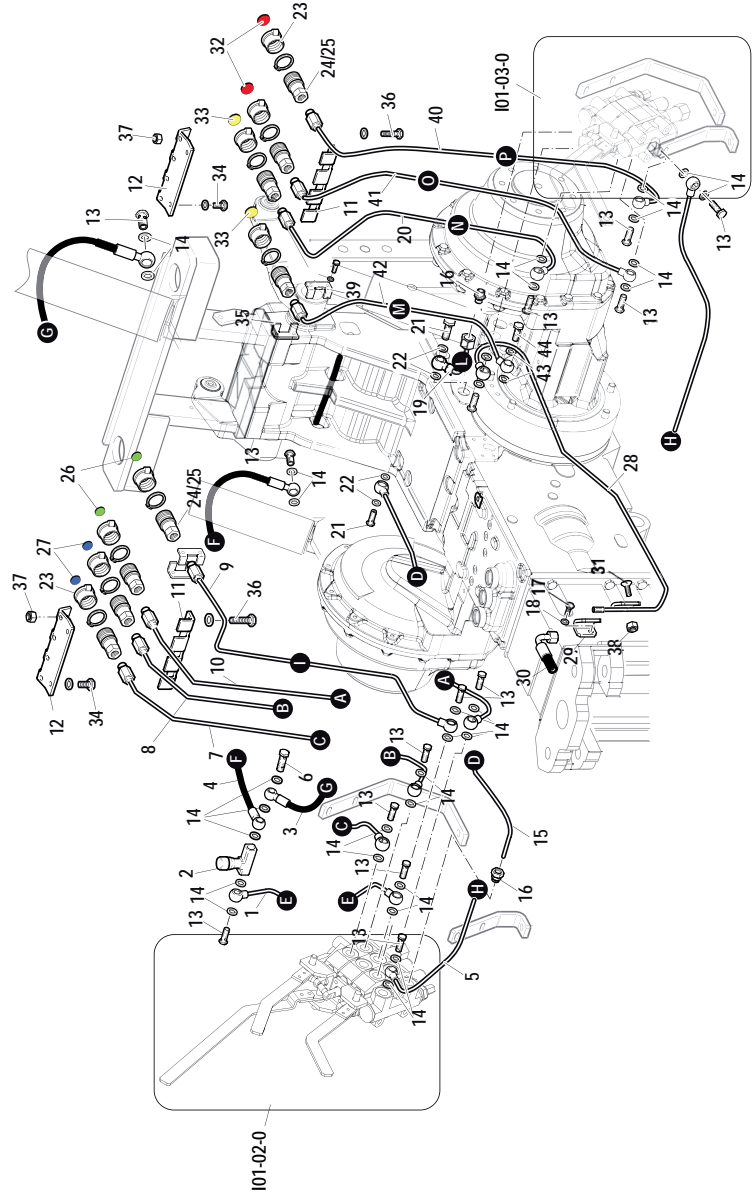
SERIAL

CONTROL VALVES EQUIPMENT

CODE REV

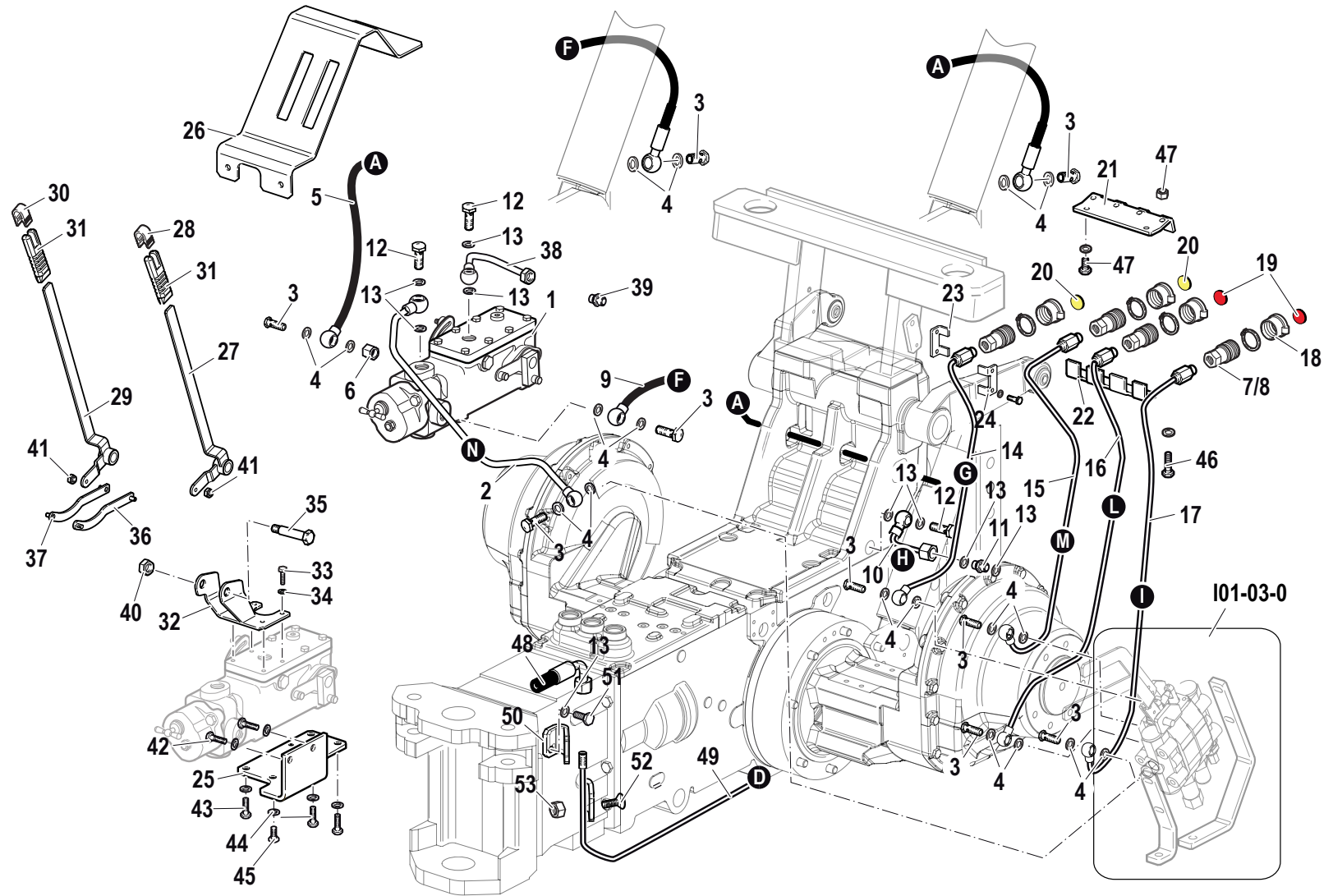
L.02.02_0_76962

CONTROL VALVES EQUIPMENT



Pos.	Code	Q.ty	Description	Notes
35	56178727	1	COMB	
36	31112161	6	SCREW TE M8X50 UNI 5737 8G	
37	31211080	6	NUT M8	
38	F0814632000	1	NUT M10	
39	56178728	1	COMB	
40	59079098	1	PIPE	
41	59079097	1	PIPE	
42	59079102	1	PIPE	
43	F0844273090	2	GASKET 22X28X1,5 CU 99,5	
44	F0843122000	1	SCREW 22x1,5	

CONTROL VALVES EQUIPMENT POSITION AND DRAFT



Pos.	Code	Q.ty	Description	Notes
1	58179417	1	DISTRIBUTOR	
2	59078663	1	DISTRIBUTING PIPE	
3	F0843109020	10	PIPE FITTING	
4	F0824110000	8	COPPER WASHER 3/8 GAS	
5	58077806	1	FLEXIBLE HOSE	
6	30000200	1	EXTENSION	
7	F0825981000	4	COUPLING	
8	F0825980032	4	COUPLING	
9	58079254	1	FLEXIBLE HOSE	
10	59079114	1	EXHAUST	
11	30000244	1	PIPE FITTING	
12	F0843116000	2	PIPE FITTING 1/2	
13	F0824141000	4	COPPER WASHER 21x27/1,5	
14	59079095	1	PIPE	
15	59079096	1	PIPE	
16	59079097	1	PIPE	
17	59079098	1	PIPE	
18	F0852550100	4	PLUG	
19	F0852550200	2	DECAL	
20	F0852550210	2	DECAL	
21	56178730	1	COMB	
22	56178729	1	COMB	
23	56178727	1	COMB	
24	56178728	1	COMB	
25	56075161	1	FIXING BRACKET	
26	56178734	1	CLAMPING PLATE	
27	59078718	1	DISTRIBUTOR LEVER	
28	58175188	1	INSERT	
29	59078717	1	DISTRIBUTOR LEVER	
30	58175211	1	INSERT	
31	58175187	2	KNOB	
32	59078723	1	LEVER BEARING	
33	31112089	4	SCREW TE M6X25 UNI 5739 8G	
34	F0843570000	6	WASHER 6	

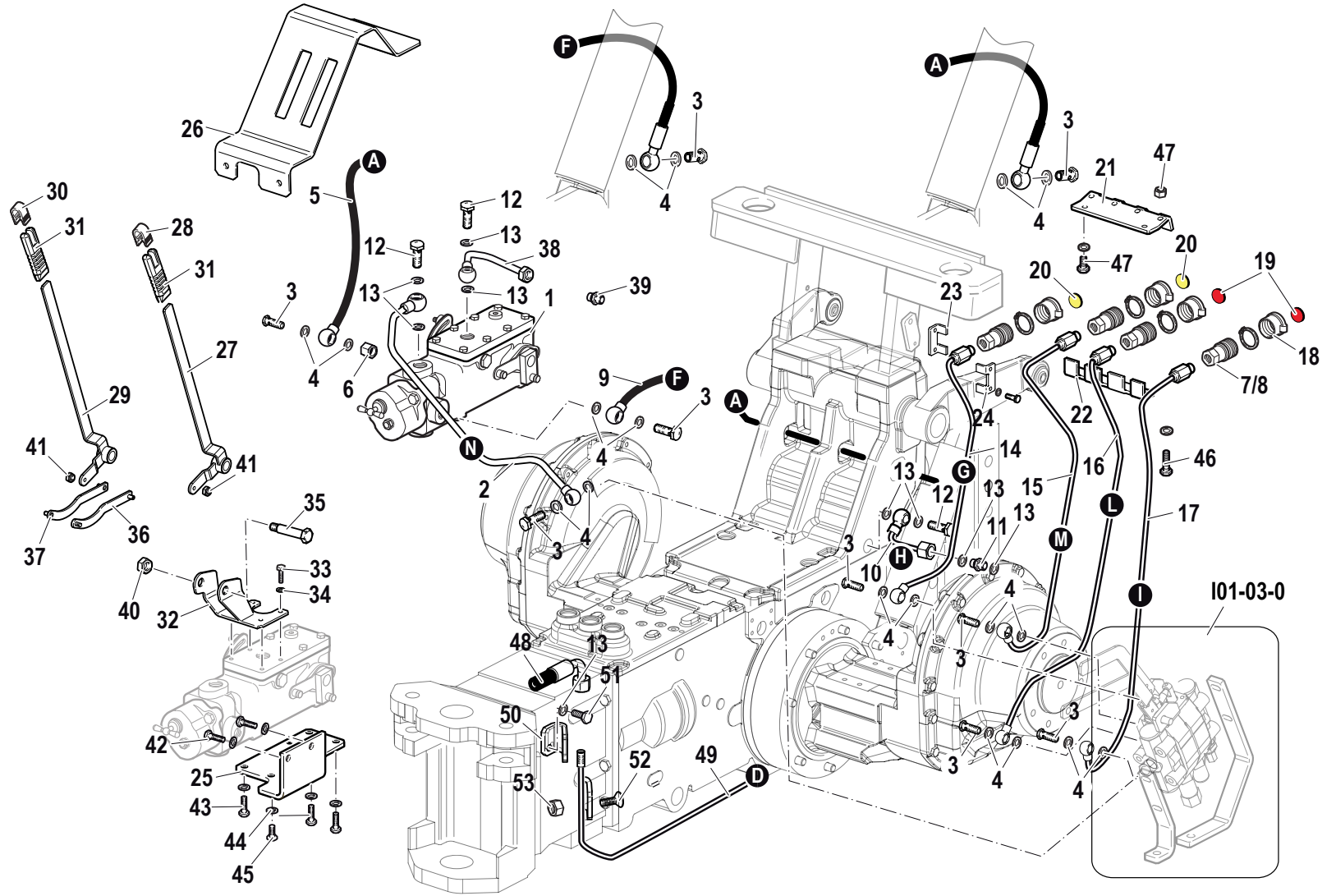
SERIAL

CONTROL VALVES EQUIPMENT POSITION AND DRAFT

CODE REV

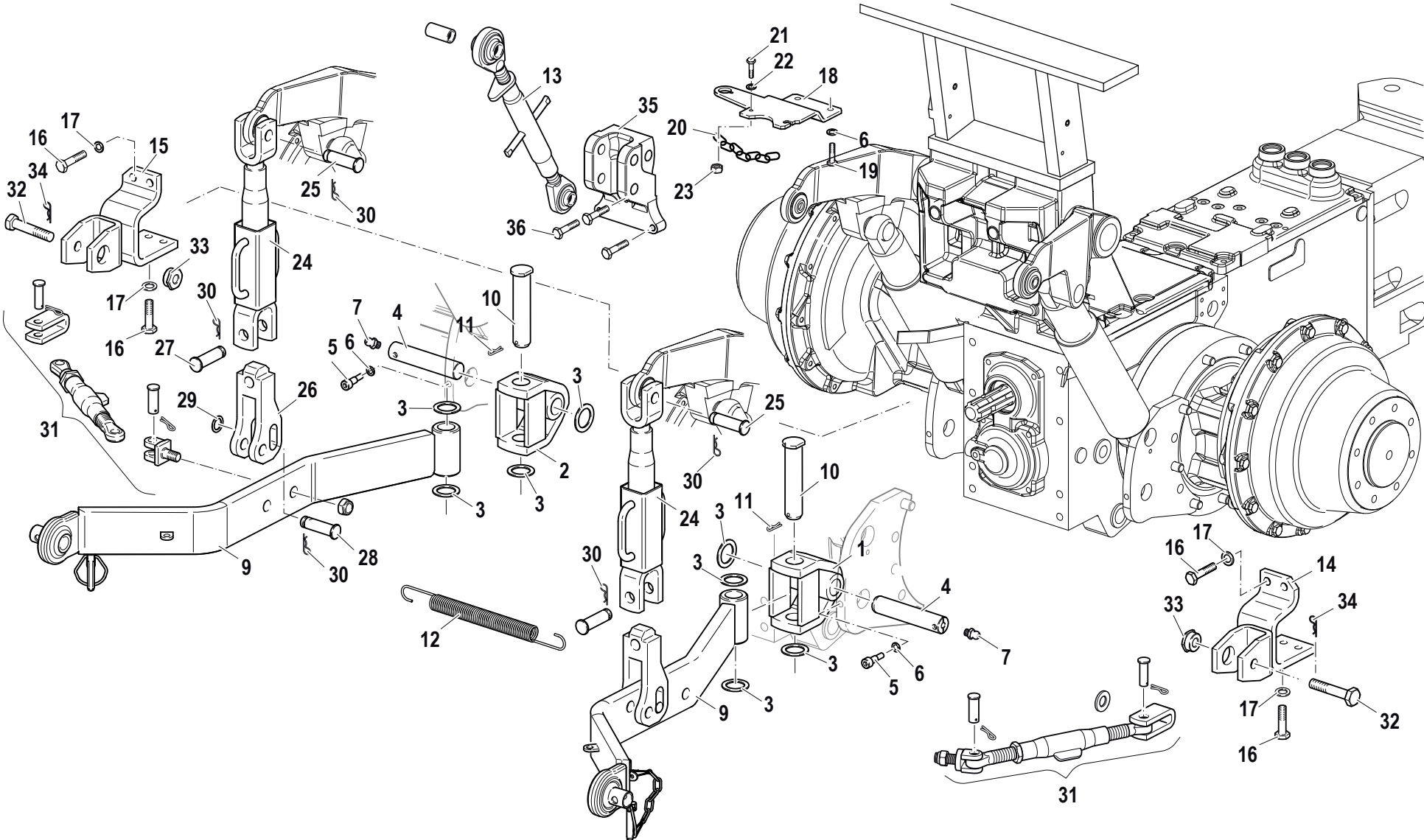
M.02.01_0_76812

CONTROL VALVES EQUIPMENT POSITION AND DRAFT



Pos.	Code	Q.ty	Description	Notes
35	56178733	1	PIN	
36	59079022	1	TRANSMISSION	
37	59078719	1	TRANSMISSION	
38	59078925	1	EXHAUST	
39	30000258	1	PIPE FITTING	
40	31241121	1	SELFLOCK NUT M12	
41	F0814547000	4	SELFLOCK NUT M6	
42	31112150	2	SCREW TE M8X20 UNI 5739 8G	
43	31111151	6	SCREW TE M8X16 UNI 5739 8G	
44	F0843643060	27	WASHER 8	
45	F0862481000	1	SCREW M8x16 UNI 5933	
46	31112161	3	SCREW TE M8X50 UNI 5737 8G	
47	31211080	9	NUT M8	
48	58077114	1	FLEXIBLE HOSE	
49	59079243	1	PRESSURE PIPE	
50	56179034	1	BRACKET	
51	31112147	1	SCREW TE M8X18 UNI 5739 8G	
52	31133600	1	SCREW TSVEI M10X25 U5933	
53	F0814632000	1	NUT M10	

ATTACHMENT HITCH (BASIC VERSION)



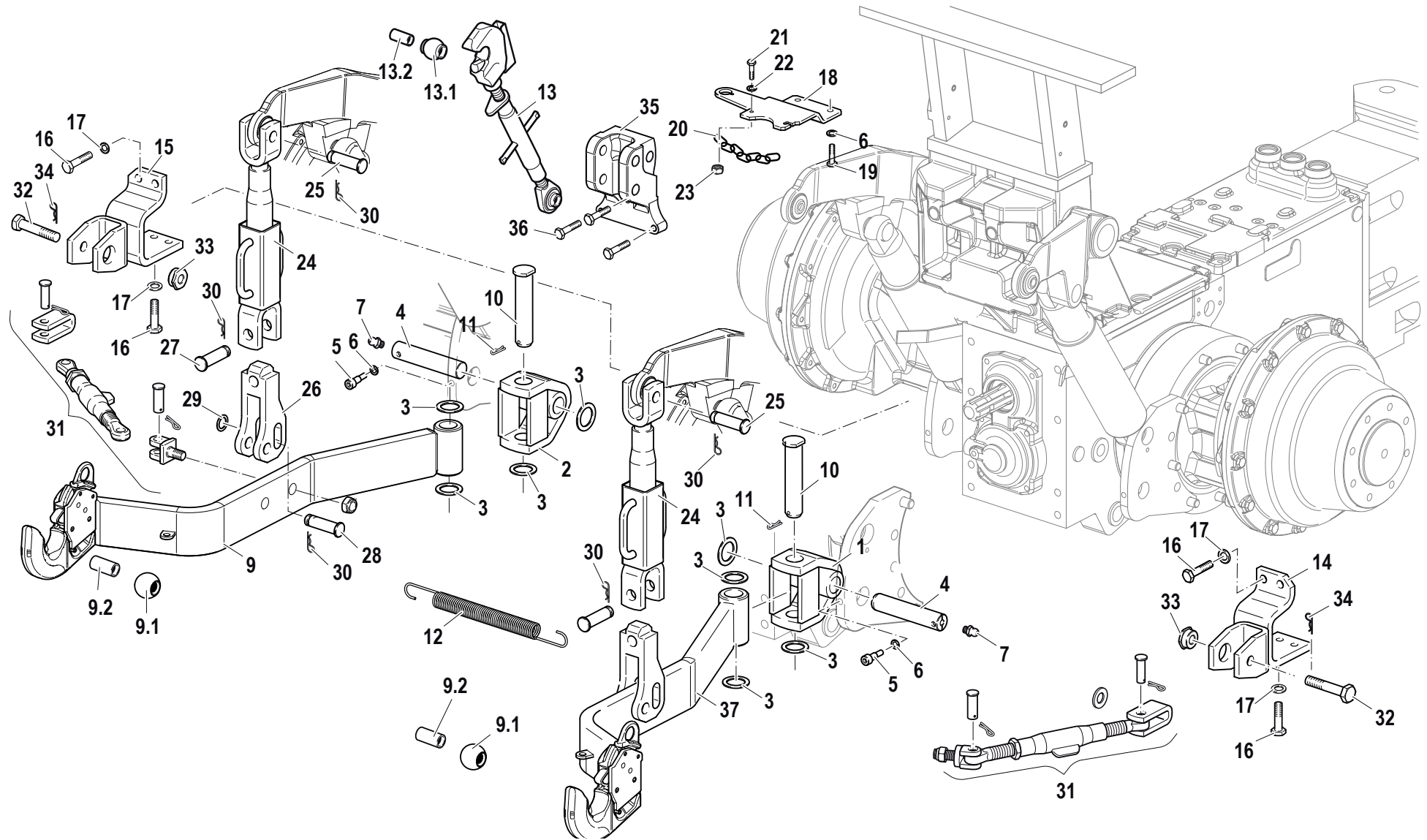
Pos.	Code	Q.ty	Description	Notes
1	59078846	1	FORK	
2	59078906	1	FORK	
3	58078856	8	RING	
4	56378858	2	HINGE PIN	
5	56078852	2	SPECIAL SCREW	
6	F0843755000	4	WASHER 10	
7	F0826056000	2	LUBRICATOR M10 UNI 7663A	
8	58174581	1	OIL LEVEL ROD	
9	58078908	2	LIFTING ARM	
10	56378853	2	HINGE PIN	
11	34110051	2	SPLIT PIN	
12	58072465	1	RETAINING SPRING	
13	58075983	1	3-POINT HITCH	
14	59078839	1	RIGHT YOKE	
15	59078843	1	LEFT BRACKET	
16	31112264	8	SCREW TE M12X35 UNI 5739	
17	F0843843060	8	WASHER 12	
18	56178732	1	BRACKET	
19	31112210	2	SCREW TE M10X20 UNI 5739	
20	58076369	1	CHAIN	
21	31112093	1	SCREW TE M6X20 UNI 5739 8G	
22	31411066	1	WASHER 6,6x18	
23	31211060	1	NUT M6	
24	58078794	2	ROD	
25	58072642	2	PIN	
26	59078798	2	BRACKET	
27	58071755	2	PIN	
28	56378795	2	PIN	
29	F0844150000	2	WASHER D.30x18,5/5	
30	F0851486000	6	SPLIT PIN	
31	58076354	2	ROD	
32	56178854	2	SCREW	
33	56178855	2	ADJUSTING NUT	
34	F0810555010	2	SPLIT PIN A3,0X25 UNI 1336	

SERIAL

ATTACHMENT HITCH (BASIC VERSION)

CODE REV

T.01.01_0_77042



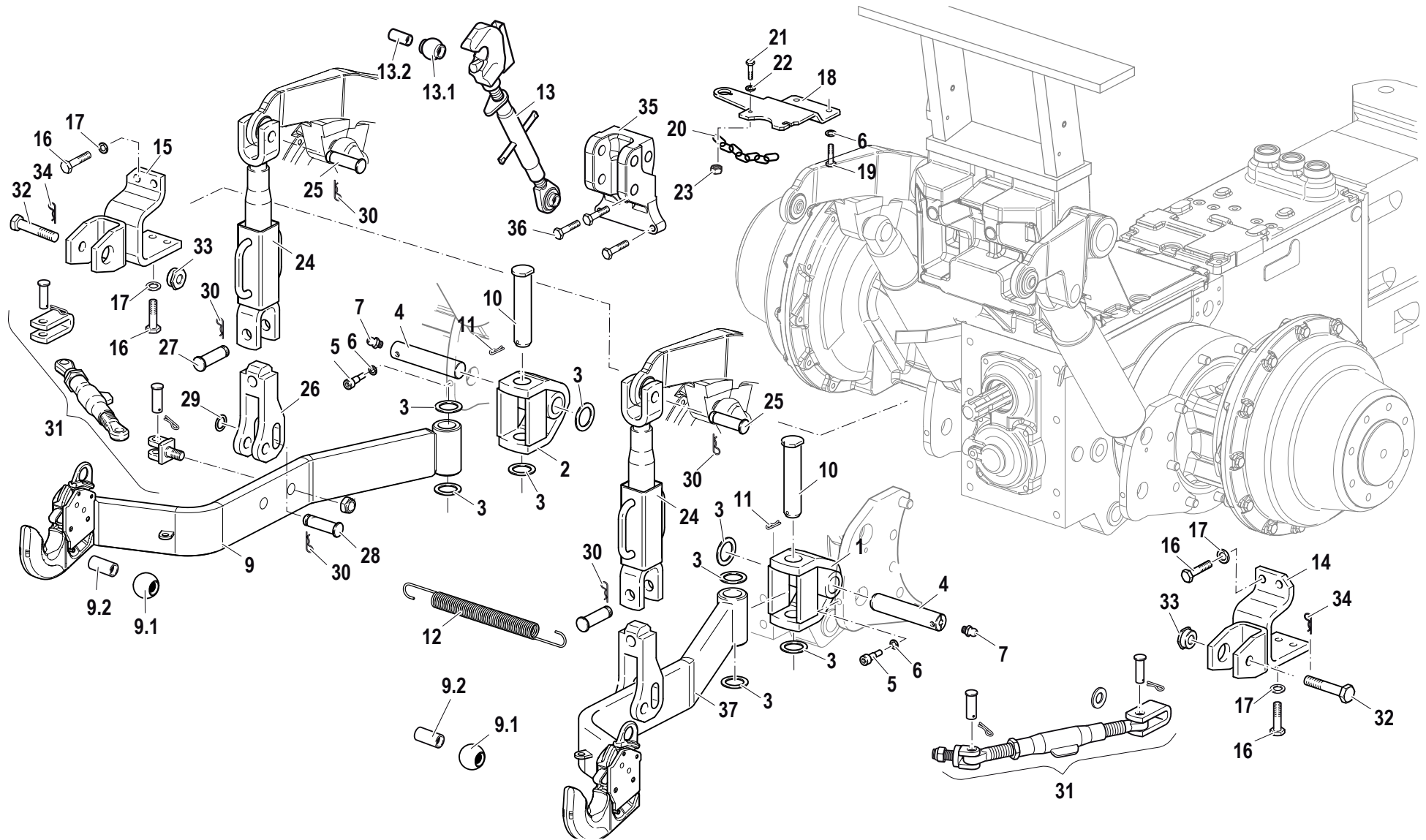
Pos.	Code	Q.ty	Description	Notes
1	59078846	1	FORK	
2	59078906	1	FORK	
3	58078856	8	RING	
4	56378858	2	HINGE PIN	
5	56078852	2	SPECIAL SCREW	
6	F0843755000	4	WASHER 10	
7	F0826056000	2	LUBRICATOR M10 UNI 7663A	
8	58174581	1	OIL LEVEL ROD	
9	58078861	1	LIFTING ARM	
10	56378853	2	HINGE PIN	
11	34110051	2	SPLIT PIN	
12	58072465	1	RETAINING SPRING	
13	58075987	1	3-POINT HITCH	
14	59078839	1	RIGHT YOKE	
15	59078843	1	LEFT BRACKET	
16	31112264	8	SCREW TE M12X35 UNI 5739	
17	F0843843060	8	WASHER 12	
18	56178732	1	BRACKET	
19	31112210	2	SCREW TE M10X20 UNI 5739	
20	58076369	1	CHAIN	
21	31112093	1	SCREW TE M6X20 UNI 5739 8G	
22	31411066	1	WASHER 6,6x18	
23	31211060	1	NUT M6	
24	58078794	2	ROD	
25	58072642	2	PIN	
26	59078798	2	BRACKET	
27	58071755	2	PIN	
28	56378795	2	PIN	
29	F0844150000	2	WASHER D.30x18,5/5	
30	F0851486000	6	SPLIT PIN	
31	58076354	2	ROD	
32	56178854	2	SCREW	
33	56178855	2	ADJUSTING NUT	
34	F0810555010	2	SPLIT PIN A3,0X25 UNI 1336	

SERIAL

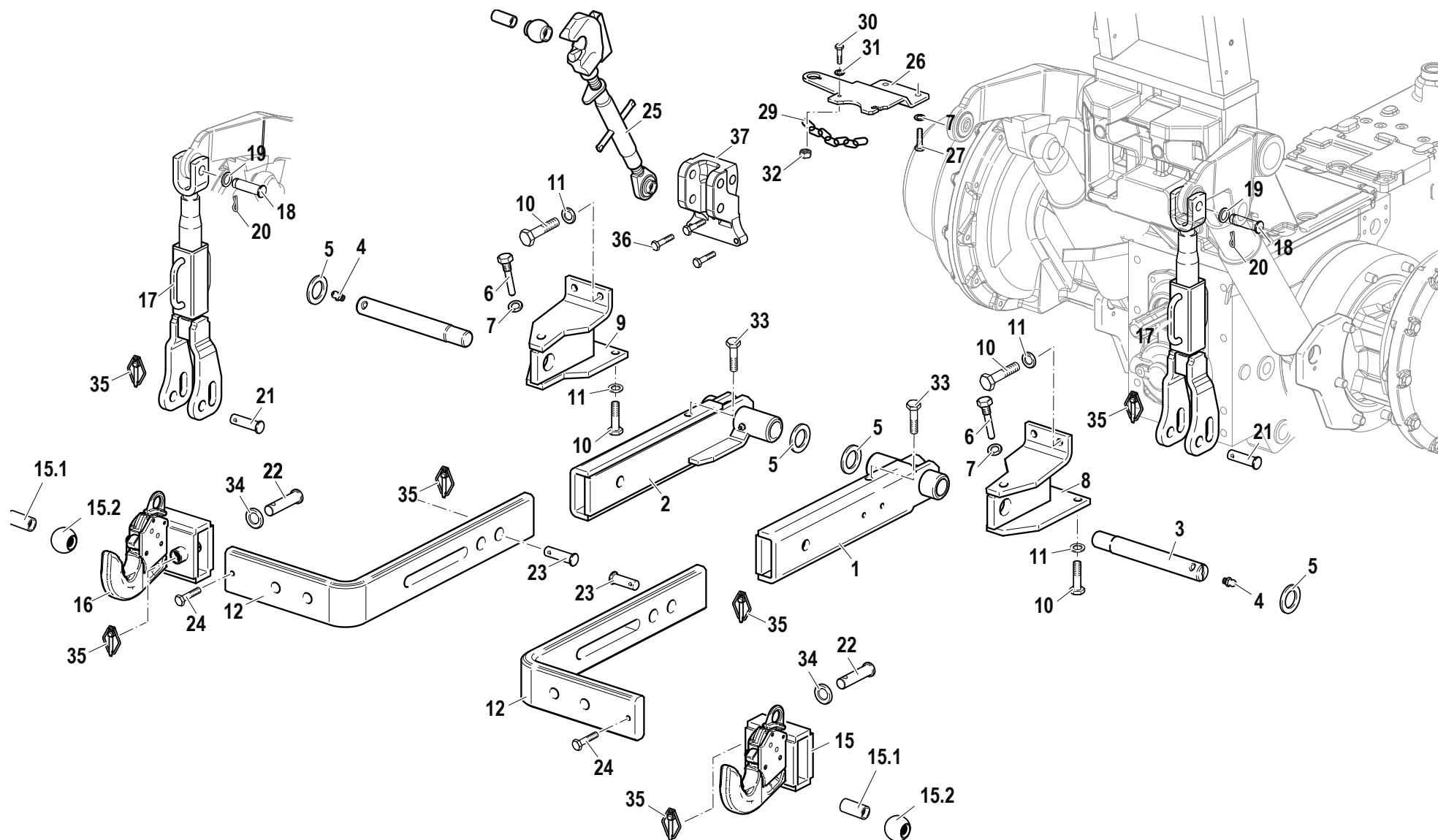
IMPLEMENTS ATTACHMENT - WITH QUICK HITCHES

CODE REV

T.01.02_0_77077



Pos.	Code	Q.ty	Description	Notes
35	51376275	1	THREE-POINT LINKAGE	
36	F0863359000	3	SCREW M10X40 UNI 5737	
37	58078862	1	LIFTING ARM	
9,1000003	58171000	2	JOINT	
9,1999998	58177978	2	BUSHING	



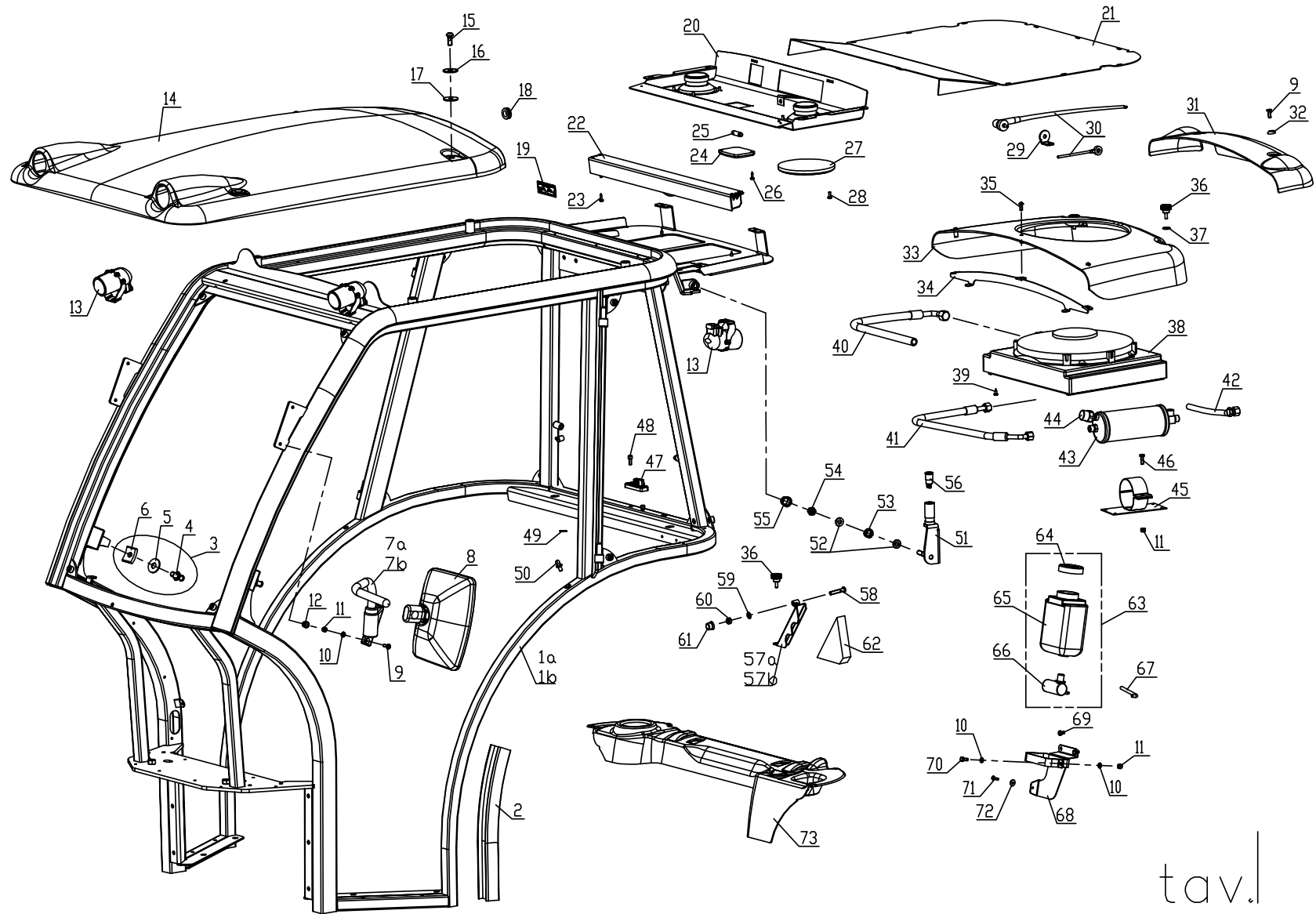
Pos.	Code	Q.ty	Description	Notes
1	59079456	1	HOLDER	
2	59079457	1	HOLDER	
15,100000	58171000	2	JOINT	
3	56579465	2	HINGE PIN	
4	F0826056000	2	LUBRICATOR M10 UNI 7663A	
5	56126095	4	WASHER 30,5x48/4	
6	56075036	2	SCREW	
7	F0843755000	2	WASHER 10	
8	59079450	1	SUPPORT	
9	59079451	1	SUPPORT	
10	31112264	8	SCREW TE M12X35 UNI 5739	
11	F0843843060	8	WASHER 12	
12	56379462	2	ARM	
15	59079471	1	DEVICE COUPLING	
16	59079493	1	DEVICE COUPLING	
17	58079470	2	TIR.SOLL.IMPUGNATURA 75-95-SDT	
18	58071755	2	PIN	
19	58071757	2	WASHER D.33x19,5/8	
20	F0851486000	2	SPLIT PIN	
21	56379474	2	PIN	
22	56179473	2	LOCKING BOLT	
23	56379475	2	LOCKING BOLT	
24	31112219	2	SCREW TE M10X25 UNI 5739	
25	58075987	1	3-POINT HITCH	
26	56178732	1	BRACKET	
27	31112210	2	SCREW TE M10X20 UNI 5739	
29	58076369	1	CHAIN	
30	31112093	1	SCREW TE M6X20 UNI 5739 8G	
31	31411066	1	WASHER 6,6x18	
32	31211060	1	NUT M6	
33	31112271	2	SCREW TE M12X25 UNI 5739	
34	F0844150000	2	WASHER D.30x18,5/5	
35	34240085	6	PIN	
15,199999	58177978	2	BUSHING	

SERIAL

IMPLEMENTS ATTACHMENT - ADJUSTABLE ARMS WITH QUICK HITCHES

CODE REV

T.01.03_0_77117



tav.

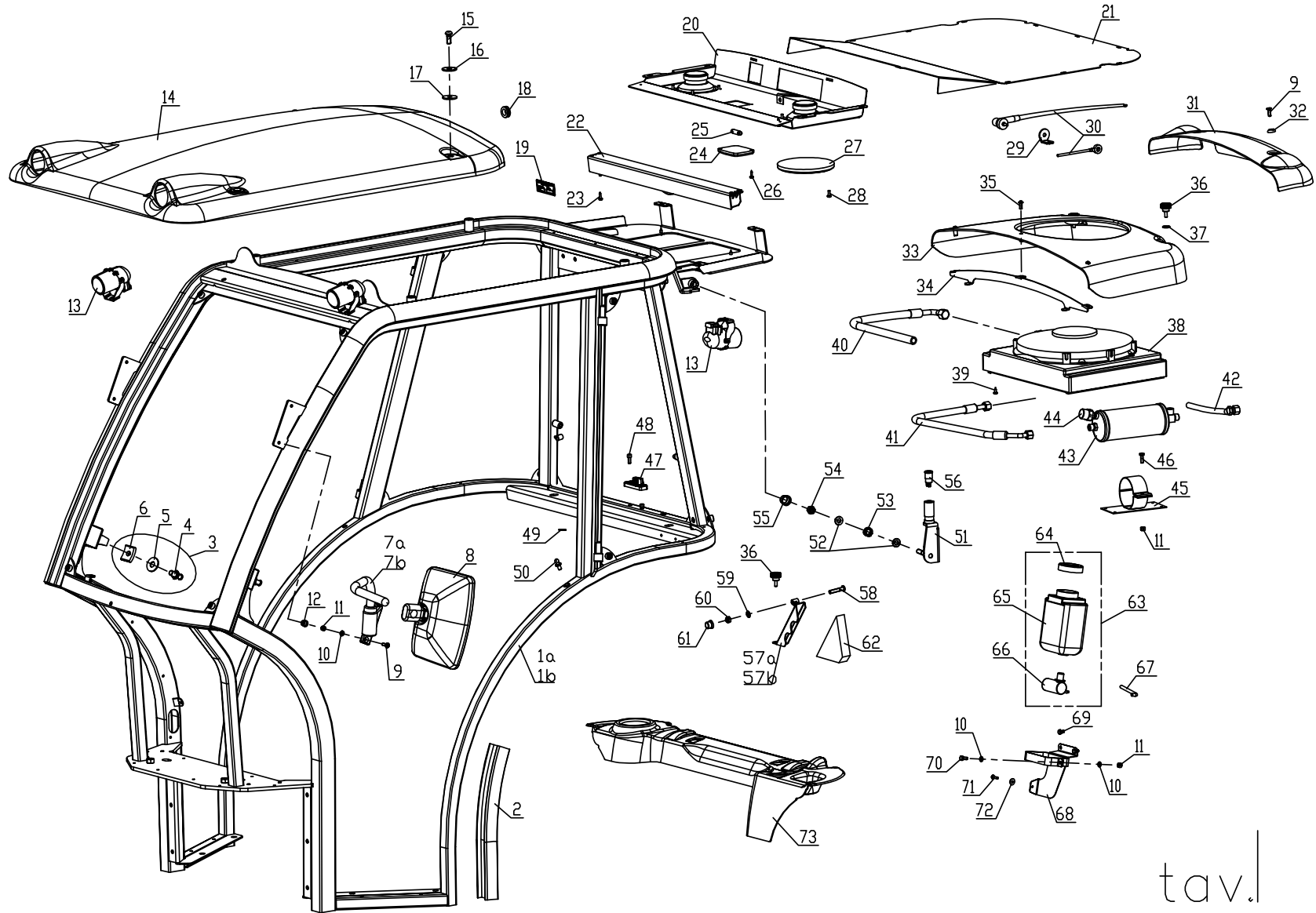
Pos.	Code	Q.ty	Description	Notes
2	59905004	1	MUDGUARD GASKET	
3	59900564	2	KIT	
4	59900034	2	PIN	
5	59900027	2	SHIM M12X36	
6	59900028	2	SMALL PLATE	
8	59900006	2	SUMP	
9	59900644	6	SCREW	
10	31411064	6	WASHER 6,4x12,5	
11	31241060	6	SELFLOCK NUT M6	
12	59900037	4	NUT COVER	
13	59900727	4	HEADLIGHT	
14	59905093	1	ROOF	
15	59905094	4	SCREW	
16	59900404	4	WASHER M10X36	
17	59900074	4	WASHER	
18	59900576	1	PLUG	
19	59900567	1	PLATE	
1a	59905089	1	TELAIO CPL.A.C BF7(701256899)	
1b	59905090	1	TELAIO CPL.RIS.BF7(701256900)	
20	59905095	1	INNER CAB ROOF PANEL	
21	59905096	1	INNER CAB ROOF PANEL	
22	59900680	1	ROLL-UP SUN-SHADE	
23	59900462	1	RIBBED SCREW	
24	59900459	1	PLAFONIERA PER VENTILAZIONE	
25	59900668	1	LAMP	
26	59900460	2	RIBBED SCREW	
27	59900702	2	GRILLE	
28	59905006	8	RIBBED SCREW	
29	59905098	1	FIXING BRACKET	
30	59900731	1	AERIAL	
31	59905099	1	COVER	
32	59905100	2	WASHER	
33	59905007	1	COVER	
34	59905008	1	SUPPORT	

SERIAL

FRAME "LOCHMANN"

CODE REV

Y.01.01_0_43507



tav.1

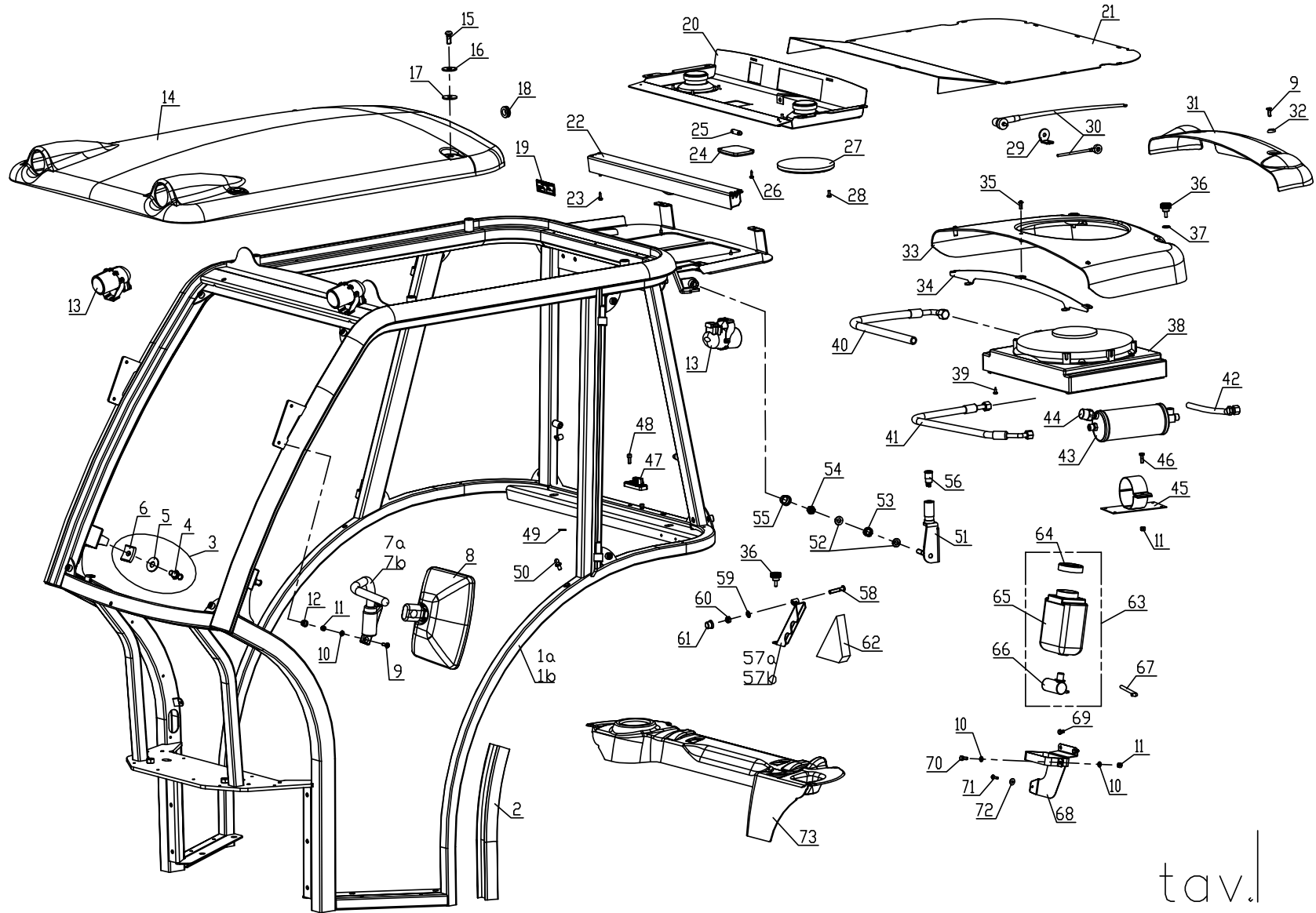
Pos.	Code	Q.ty	Description	Notes
35	59900750	3	SCREW	
36	59900725	4	KNOB	
37	59900398	2	WASHER M6X18	
38	59905009	1	CONDENSER	
39	59900468	4	RIBBED SCREW	
40	59905010	1	PIPE	
41	59905011	1	PIPE	
42	59905012	1	PIPE	
43	59905013	1	FILTER	
44	59905014	1	PRESSURE SWITCH	
45	59905015	1	RETAINER	
46	31112093	1	SCREW TE M6X20 UNI 5739 8G	
47	59900565	1	STOP	
48	59900566	2	SCREW	
49	59900390	4	WASHER M12X18	
50	59900106	4	JOINT	
51	59905101	1	SUPPORT	
52	31411105	2	WASHER 10,5x21	
53	59900782	1	SPRING	
54	59905102	1	SELFLOCK NUT M10	
55	59900108	1	NUT COVER	
56	59900047	1	SOCKET	
58	59900786	2	SCREW	
59	59900393	2	WASHER	
60	31241081	2	SELFLOCK NUT M8	
61	59900109	2	NUT COVER	
62	59905018	1	FOAM RUBBER	
63	59900389	1	TANK	
64	59900010	1	TANK COVER	
65	59900009	1	TANK	
66	59900011	1	ELECTRIC PUMP	
67	59900787	1	PIPE	
68	59905019	1	BRACKET	
69	59905020	2	SCREW	

SERIAL

FRAME "LOCHMANN"

CODE REV

Y.01.01_0_43507

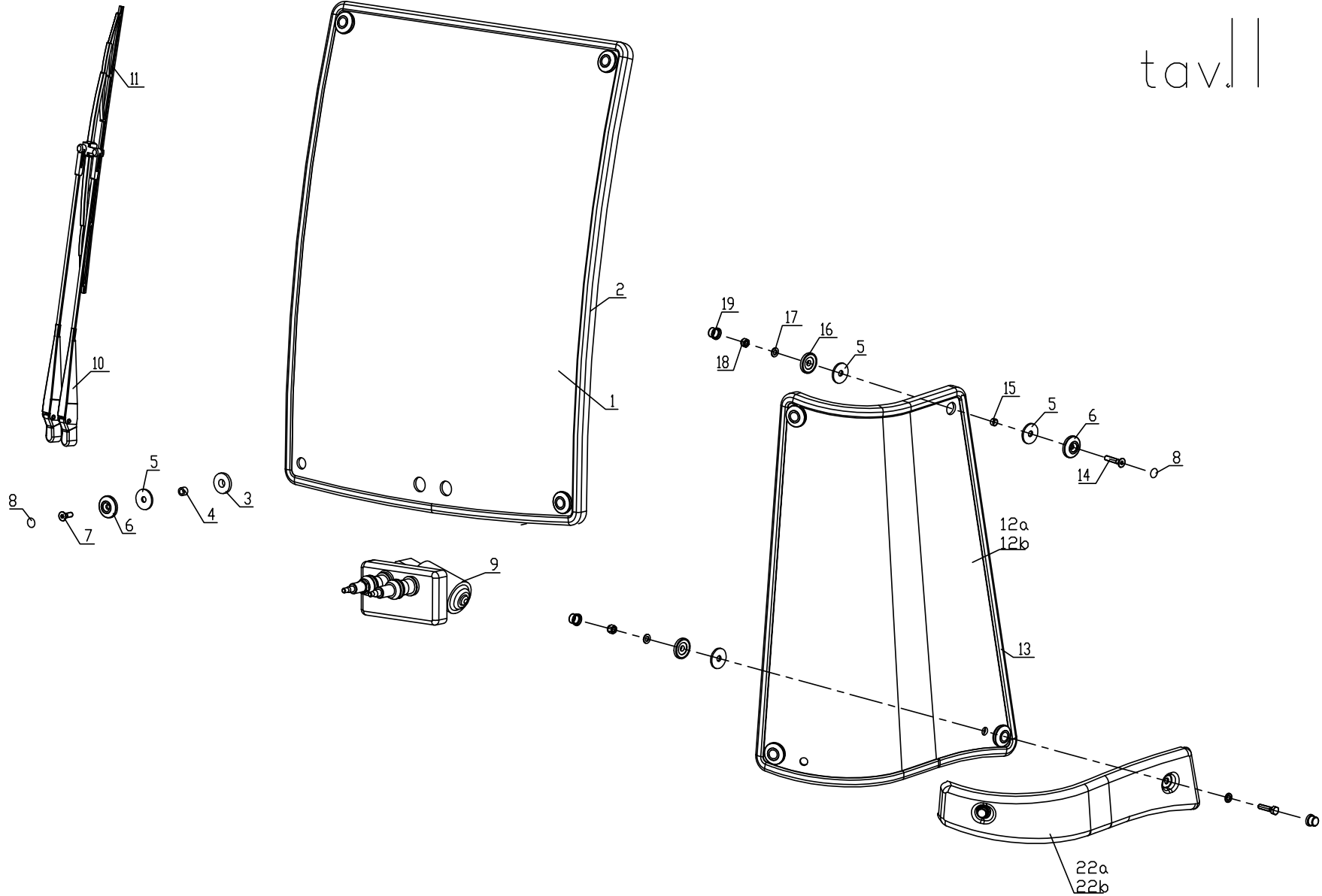


tav.

Pos.	Code	Q.ty	Description	Notes
70	59900396	1	SCREW	
71	59900516	1	RIBBED SCREW	
72	59900561	1	WASHER	
7a	59905091	1	ROD	
7b	59905092	1	ROD	
57a	59905103	1	TRIANG.PASSATUBI SX(703256940)	
57b	59905104	1	TRIANG.PASSATUBI DX(703256941)	

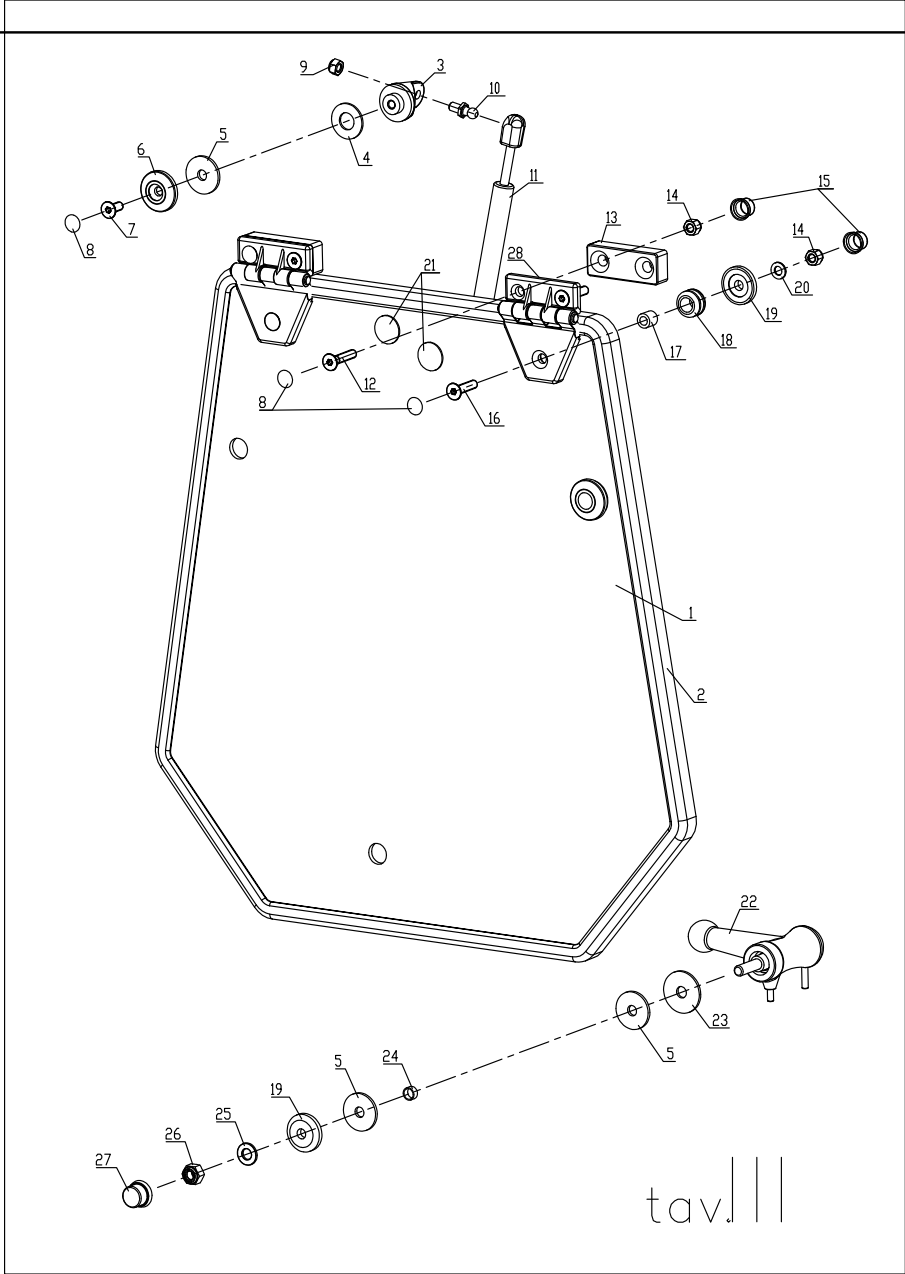
FRONT - SIDE GLASS "LOCHMANN"

tav. I

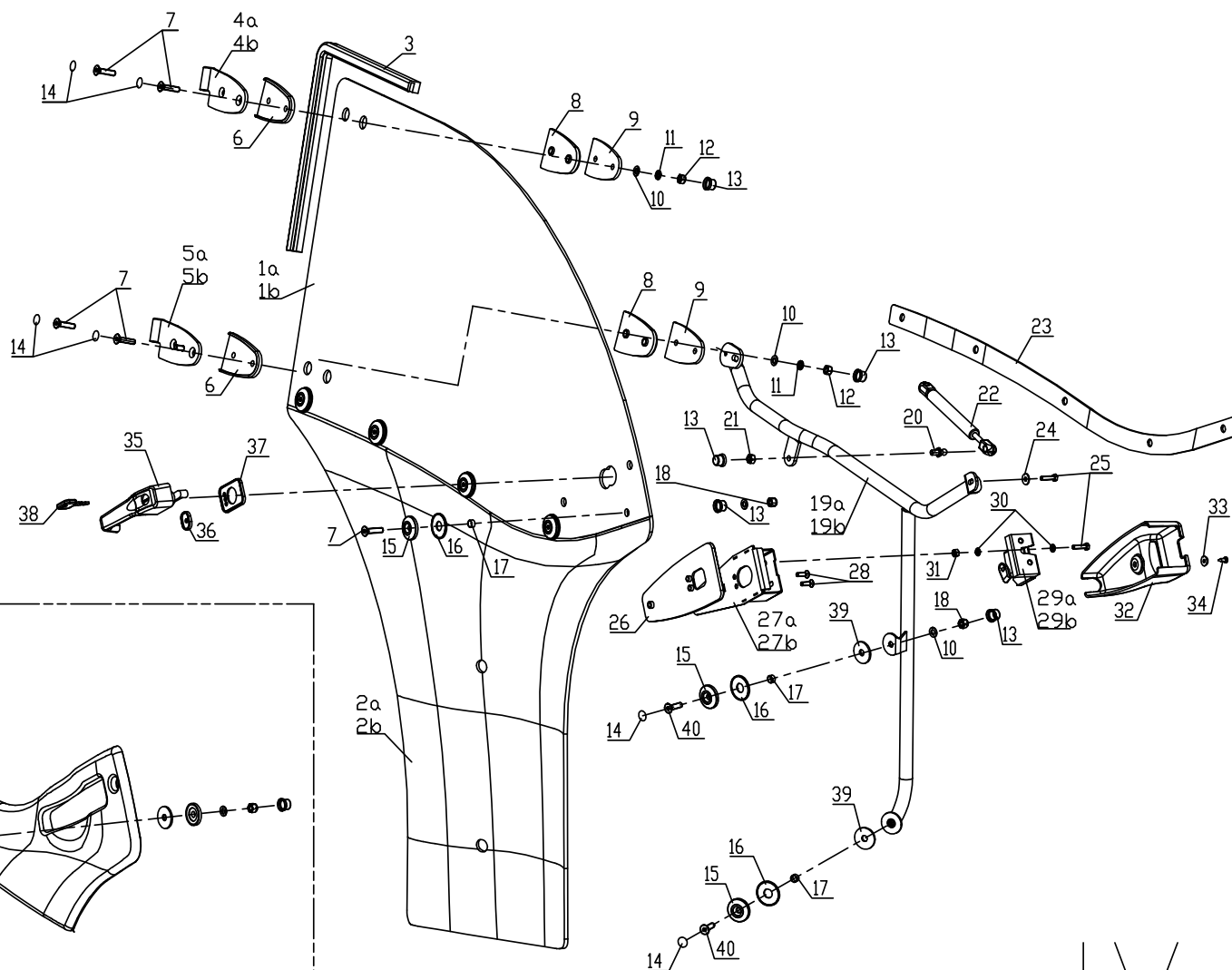


Pos.	Code	Q.ty	Description	Notes
1	59905105	1	FRONT GLASS	
2	59900112	3	GLASS GASKET	
3	59905021	4	RUBBER WASHER	
4	59900802	4	SPACER	
5	59900074	12	WASHER	
6	59900799	8	BOSS	
7	59905022	4	SCREW	
8	59900604	8	SCREW COVER	
9	59905023	1	WIPER MOTOR	
10	59905024	1	ARM	
11	59905261	1	SPAZZOLA BF6/7 (626020055)	
13	59900112	1	GLASS GASKET	
14	59900625	4	SCREW	
15	59900103	4	RING	
16	59900102	4	PLASTIC WASHER 10x36/8	
17	31411084	4	WASHER 8,4x17	
18	31241080	4	SELFLOCK NUT M8	
19	59900109	4	NUT COVER	
20	59905108	1	VET.AN.CON TERG.BF7(706050704)	
12a	59905106	1	RH SIDE GLASS	
12b	59905107	1	LH SIDE GLASS	
21a	59905109	1	VET.LA.DX GUARN.BF7(706050707)	
21b	59905110	1	VET.LA.SX GUARN.BF7(706050708)	
22a	57378896	1	HOSE CLIP	
22b	57378892	1	HOSE CLIP	

REAR GLASS "LOCHMANN"



Pos.	Code	Q.ty	Description	Notes
1	59905111	1	REAR GLASS	
2	59900112	1	GLASS GASKET	
3	59900101	1	CONNECTION	
4	59900629	1	WASHER	
5	59900074	3	WASHER	
6	59900799	1	BOSS	
7	59900628	1	SCREW	
8	59900604	7	SCREW COVER	
9	59900106	1	JOINT	
10	31241081	1	SELFLOCK NUT M8	
11	59905031	1	GAS SPRING	
12	59900625	4	SCREW	
13	59900621	2	SHIM	
14	31241080	6	SELFLOCK NUT M8	
15	59900604	6	SCREW COVER	
16	59900624	2	SCREW	
17	59900138	2	RING	
18	59900623	2	RUBBER RING	
19	59900102	3	PLASTIC WASHER 10x36/8	
20	31411084	2	WASHER 8,4x17	
21	59900094	1	HANDLE	
22	59900404	1	WASHER M10X36	
23	59900103	1	RING	
24	31411105	1	WASHER 10,5x21	
25	31241100	1	SELFLOCK NUT M10 6S	
26	59900108	1	NUT COVER	
27	59900576	1	PLUG	
28	59905122	1	RH HINGE	
29	59905112	1	REAR GLASS	



tav. V

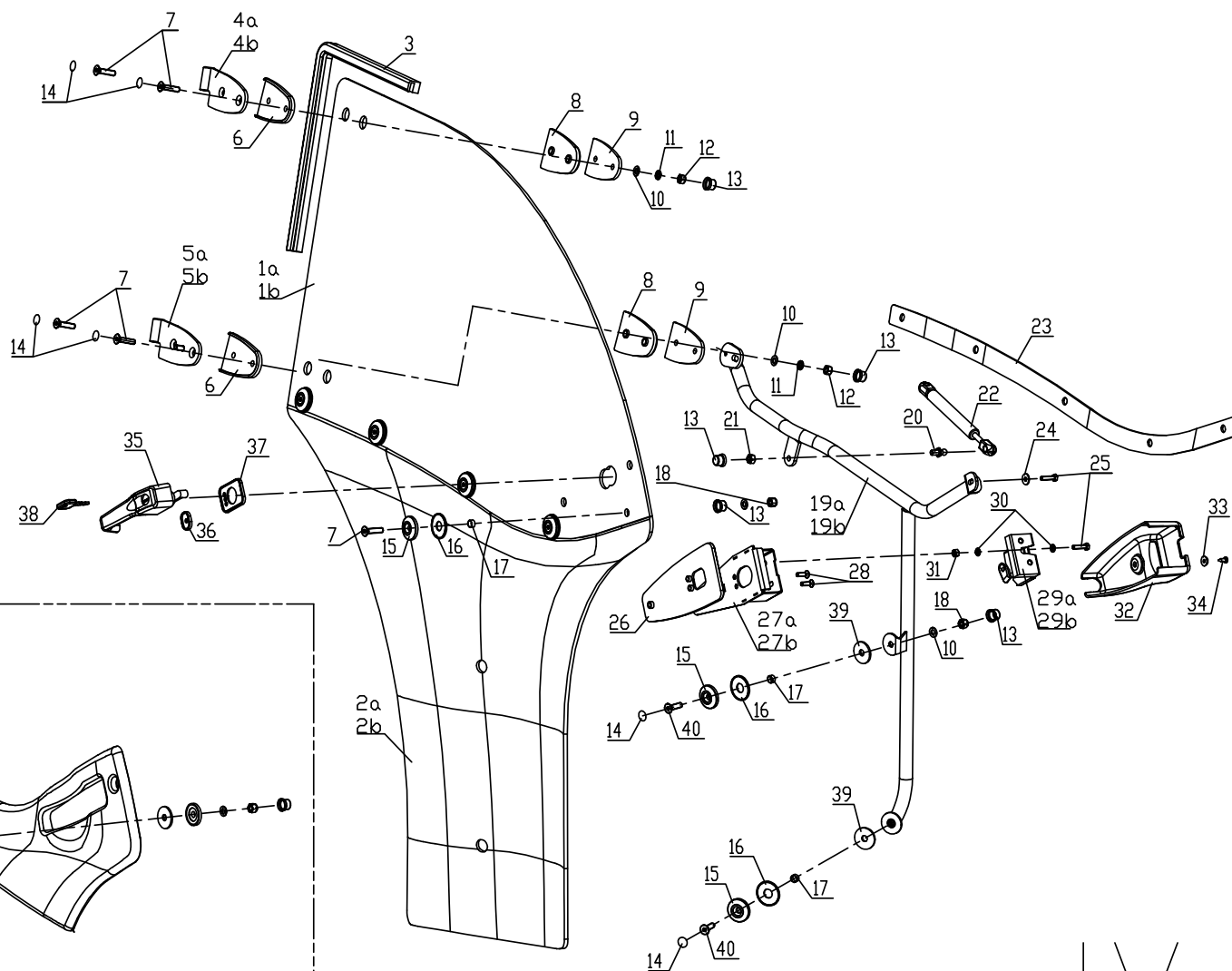
Pos.	Code	Q.ty	Description	Notes
3	59905037	1	GASKET	
6	59900425	2	GASKET	
7	59900624	9	SCREW	
8	59900426	2	GASKET	
9	59905042	2	PLATE	
10	31411084	10	WASHER 8,4x17	
11	59900117	4	WASHER 11,4	
12	31211060	4	NUT M6	
13	59900109	11	NUT COVER	
14	59900604	6	SCREW COVER	
15	59900799	7	BOSS	
16	59905043	7	RUBBER WASHER	
17	59900103	7	RING	
18	31241080	6	SELFLOCK NUT M8	
1a	59905113	1	RH DOORGLASS	
1b	59905114	1	LH DOORGLASS	
20	31241081	1	SELFLOCK NUT M8	
21	59900106	1	JOINT	
22	59900640	1	SPRING	
23	59905046	1	RIGA COL.VETRI POR.(703246856)	
24	59900398	1	WASHER M6X18	
25	59900432	3	SCREW	
26	59900641	1	S/BASE GOMMA SERR.T5 628014631	
28	59900644	2	SCREW	
2a	59905035	1	CAB DOOR RIGHT	
2b	59905036	1	CAB DOOR - LEFT	
30	31411064	4	WASHER 6,4x12,5	
31	31241060	2	SELFLOCK NUT M6	
32	59900647	1	LOCK COVER	
33	59900561	1	WASHER	
34	59905006	1	RIBBED SCREW	
35	59900649	1	DOOR HANDLE	
36	59900650	1	GASKET	
37	59900651	1	GASKET	

SERIAL

LEFT/RIGHT DOOR "LOCHMANN"

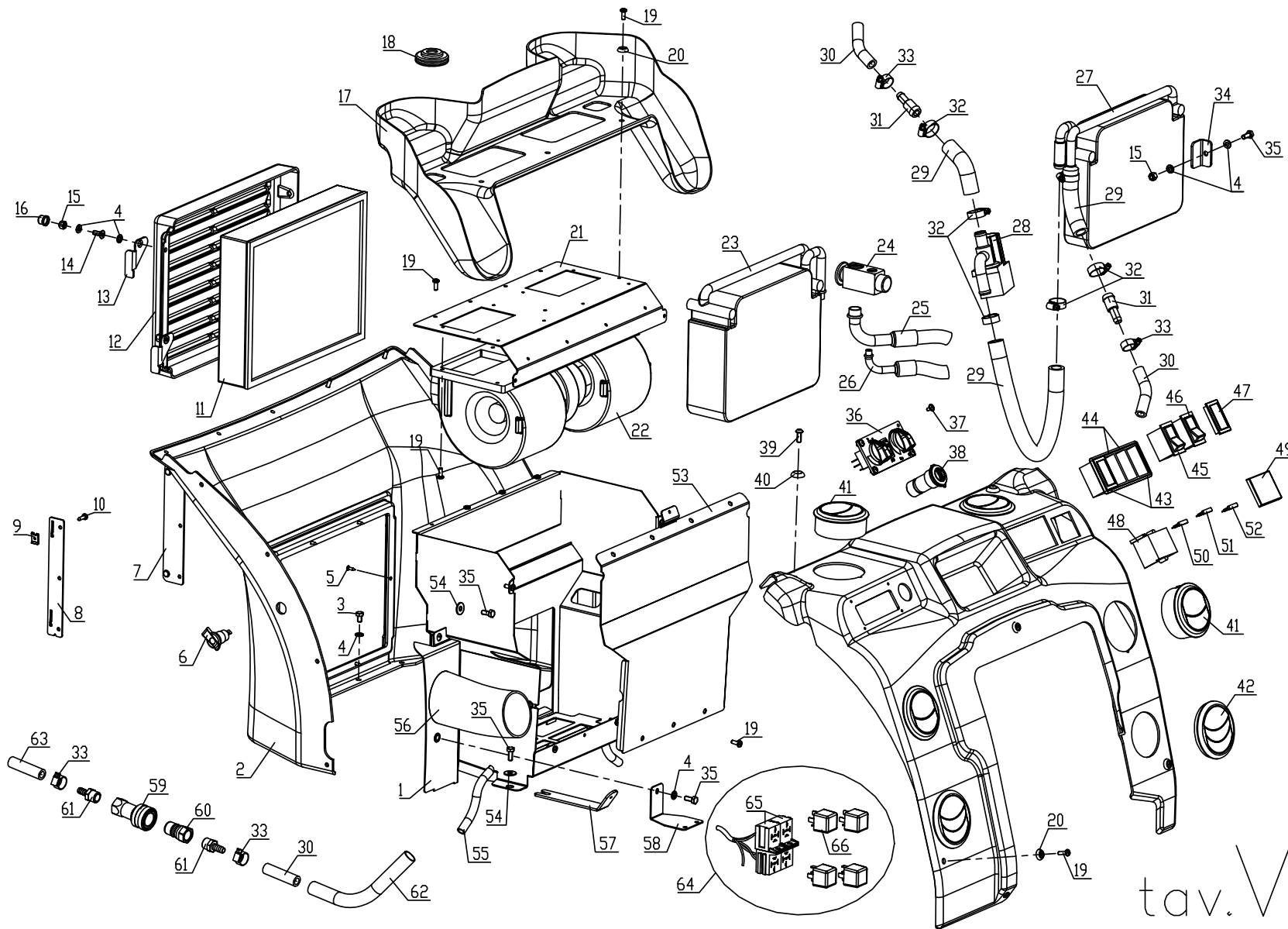
CODE REV

Y.01.04_0_43635



tav. V

Pos.	Code	Q.ty	Description	Notes
38	59900652	1	KEY	
39	59900074	2	WASHER	
40	F0862728000	2	SCREW M8x30 UNI 5933	
4a	59905038	1	RH HINGE	
4b	59905039	1	RH HINGE	
5a	59905040	1	RH HINGE	
5b	59905041	1	RH HINGE	
19a	59905115	1	DOOR HANDLE	
19b	59905116	1	DOOR HANDLE	
27a	59905047	1	SUPPORT	
27b	59905048	1	SUPPORT	
29a	59900646	1	LOCK SMALL BLOCK	
29b	59900645	1	LOCK SMALL BLOCK	
41a	59905117	1	CAB DOOR RIGHT	
41b	59905118	1	CAB DOOR - LEFT	
42a	57378888	1	HOSE CLIP	
42b	57378884	1	HOSE CLIP	



tav.V

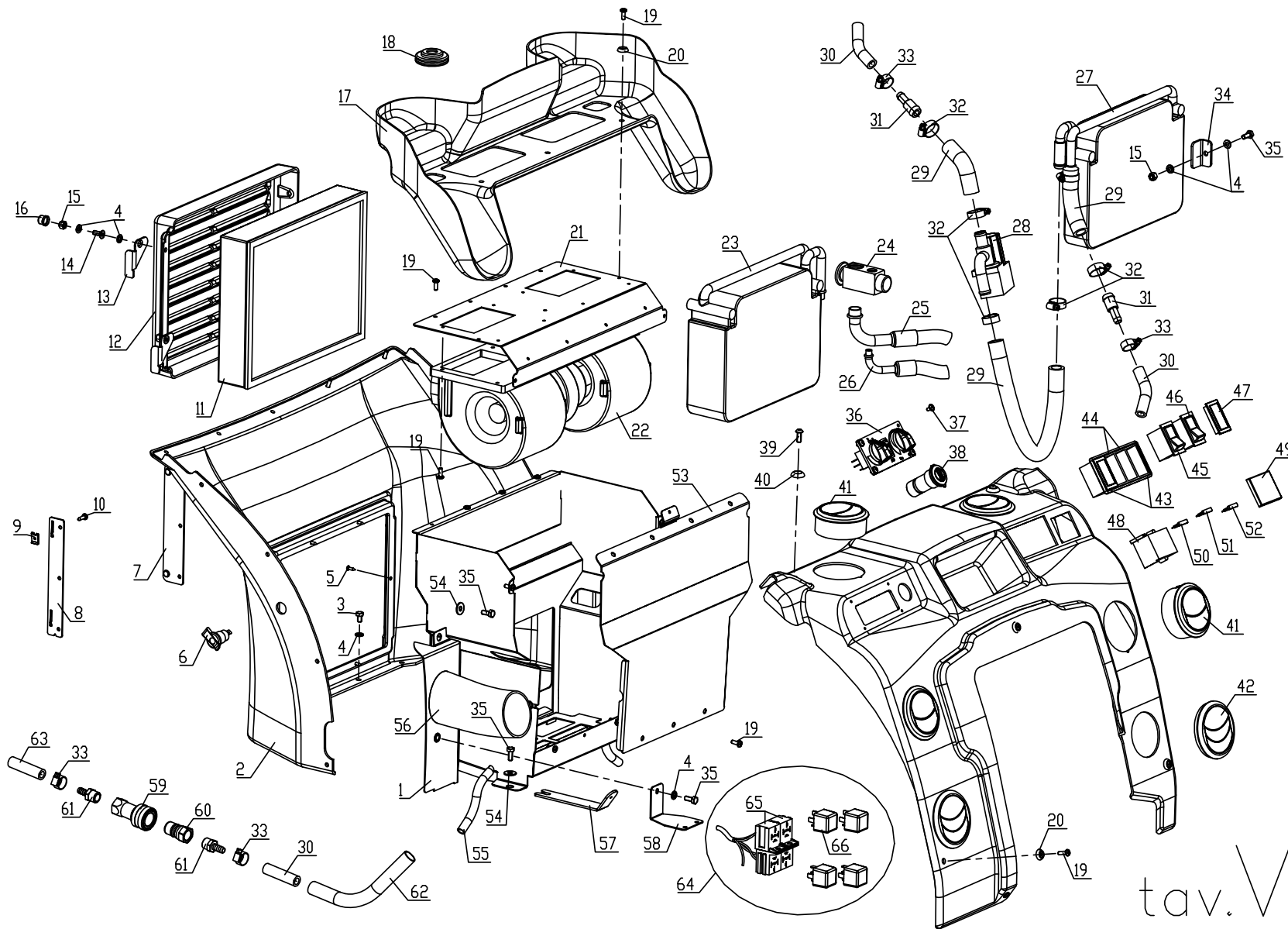
Pos.	Code	Q.ty	Description	Notes
1	59905052	1	BOX	
2	59905053	1	DIVISION	
3	59905020	7	SCREW	
4	31411064	14	WASHER 6,4x12,5	
5	59900699	6	SCREW	
6	59905055	1	SOCKET	
7	59905056	1	RH HINGE	
8	59905057	1	SMALL BLOCK	
9	59905058	2	STOP	
10	59905059	2	RIBBED SCREW	
11	59905060	1	FILTER	
12	59905061	1	COVER	
13	59905062	2	LEVER	
14	F0861972000	2	SCREW M6X10 UNI 5933	
15	31241060	4	SELFLOCK NUT M6	
16	59900037	2	NUT COVER	
17	59905063	1	DUCT	
18	59900469	2	PLUG	
19	59905006	31	RIBBED SCREW	
20	59900561	6	WASHER	
21	59905065	1	FAN BEARING	
22	59905066	1	ELECTRO-FAN	
23	59905067	1	VAPORIZER	
24	59905068	1	VALVE	
25	59905069	1	TUBO A.C.EVAP.COMP.(624990503)	
26	59905012	1	PIPE	
27	59905071	1	RADIATOR	
28	59905072	1	RADIATOR	
29	59905073	1	PIPE	
30	59900069	1	PIPE	
31	59905074	2	REDUCTION	
32	59905075	6	CLAMP	
33	59900071	6	PIPE CONNECTION	
34	59905076	2	FIXING BRACKET	

SERIAL

DASHBOARD - HEATING - AIR CONDITIONING "LOCHMANN"

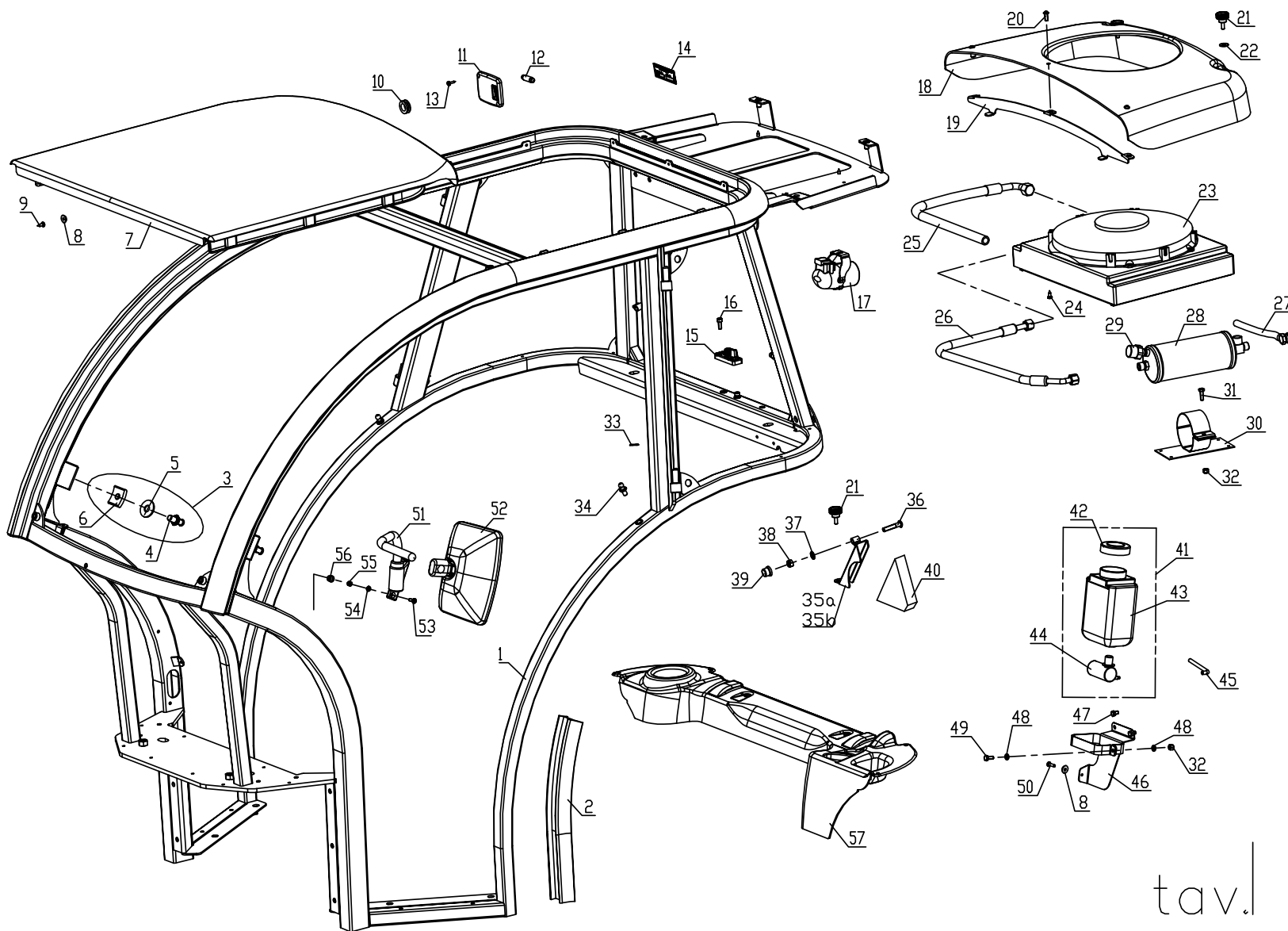
CODE REV

Y.01.05_0_43685



tav.V

Pos.	Code	Q.ty	Description	Notes
35	59900396	6	SCREW	
36	59905077	1	CONTROL	
37	59900467	4	RIBBED SCREW	
38	59905078	1	SOCKET	
39	59900750	2	SCREW	
40	59905079	2	WASHER	
41	59905080	4	PIPE UNION	
42	59900463	2	TONGUE	
43	59900051	2	SWITCH SUPPORT	
44	59900052	2	SWITCH SUPPORT	
45	59900054	1	SWITCH	
46	59900053	1	SWITCH	
47	59905081	2	PLUG	
48	59900058	1	FUSE-HOLDER	
49	59900057	1	COVER	
50	59900665	3	FUSE/LOCK	
51	59900667	2	FUSE/LOCK	
52	59900666	1	FUSE/LOCK	
53	59905082	1	COVER	
54	59900398	4	WASHER M6X18	
55	59900689	1	RUBBER HOSE	
56	59905083	1	PIPE	
57	59905084	1	FIXING BRACKET	
58	59905085	1	FIXING BRACKET	
59	59900018	2	CONNECTION	
60	59900019	2	CONNECTION	
61	59900020	4	PIPE FITTING	
62	59900704	1	SHEATH	
63	59900069	1	PIPE	
64	59905086	1	ELECTRICAL SYSTEM	
65	59905087	4	ZOCCOLO RELE' (622032213)	
66	59905088	4	RELAY	



tav.1

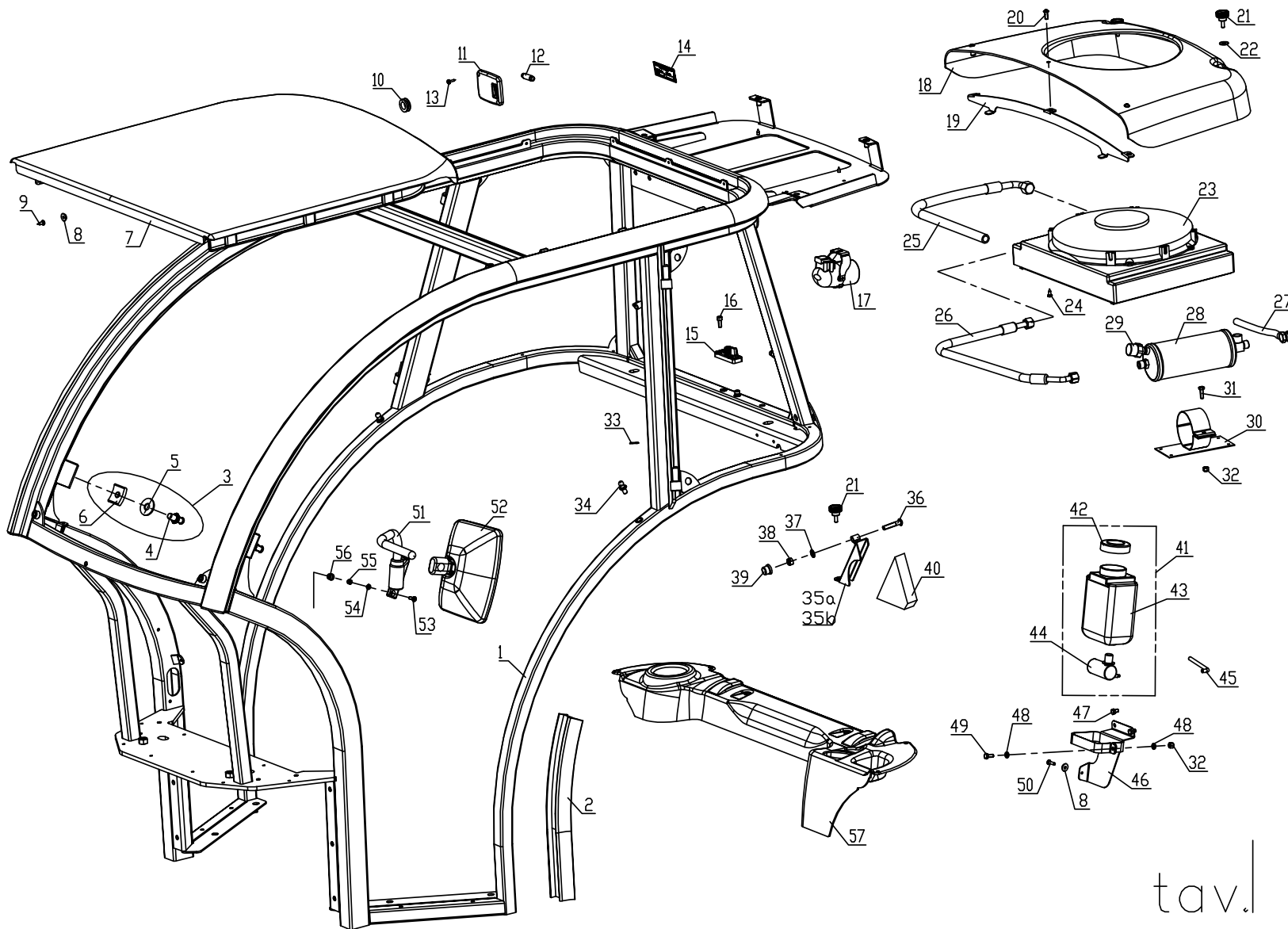
Pos.	Code	Q.ty	Description	Notes
1	59905003	1	CAB FRAME	
2	59905004	1	MUDGUARD GASKET	
3	59900564	2	KIT	
4	59900034	2	PIN	
5	59900027	2	SHIM M12X36	
6	59900028	2	SMALL PLATE	
7	59905005	1	ROOF	
8	59900561	13	WASHER	
9	59905006	12	RIBBED SCREW	
10	59900576	1	PLUG	
11	59900459	1	PLAFONIERA PER VENTILAZIONE	
12	59900668	1	LAMP	
13	59900460	2	RIBBED SCREW	
14	59900567	1	PLATE	
15	59900565	1	STOP	
16	59900566	2	SCREW	
17	59900727	2	HEADLIGHT	
18	59905007	1	COVER	
19	59905008	1	SUPPORT	
20	59900750	3	SCREW	
21	59900725	3	KNOB	
22	59900398	2	WASHER M6X18	
23	59905009	1	CONDENSER	
24	59900468	4	RIBBED SCREW	
25	59905010	1	PIPE	
26	59905011	1	PIPE	
27	59905012	1	PIPE	
28	59905013	1	FILTER	
29	59905014	1	PRESSURE SWITCH	
30	59905015	1	RETAINER	
31	31112093	1	SCREW TE M6X20 UNI 5739 8G	
32	31241060	2	SELFLOCK NUT M6	
33	59900390	4	WASHER M12X18	
34	59900106	3	JOINT	

SERIAL

FRAME "LOCHMANN"

CODE REV

Y.02.01_0_43752

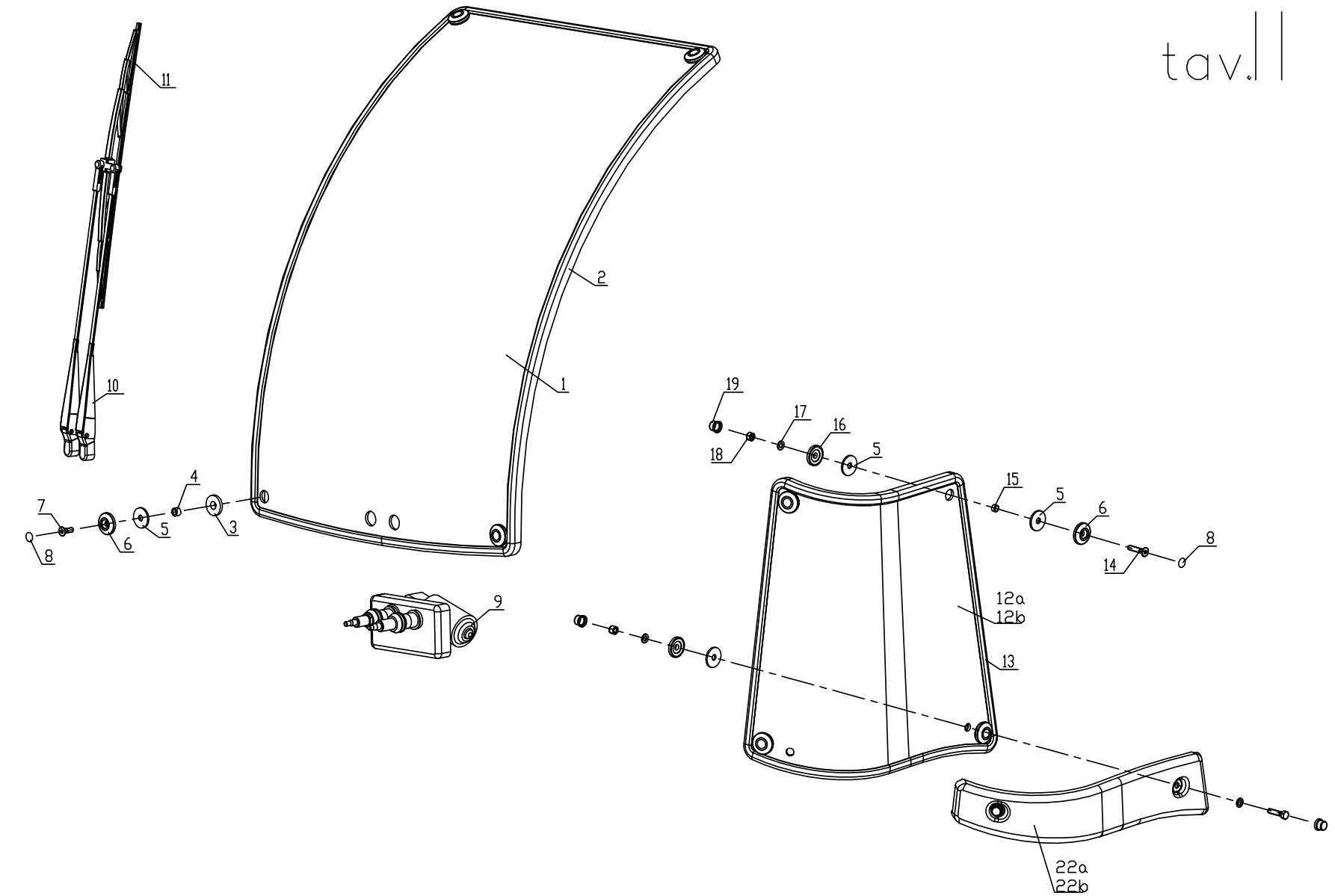


tav.1

Pos.	Code	Q.ty	Description	Notes
36	59900786	2	SCREW	
37	59900393	2	WASHER	
38	31241081	2	SELFLOCK NUT M8	
39	59900109	2	NUT COVER	
40	59905018	2	FOAM RUBBER	
41	59900389	1	TANK	
42	59900010	1	TANK COVER	
43	59900009	1	TANK	
44	59900011	1	ELECTRIC PUMP	
45	59900787	1	PIPE	
46	59905019	1	BRACKET	
47	59905020	2	SCREW	
48	31411064	2	WASHER 6,4x12,5	
49	59900396	1	SCREW	
50	59900516	1	RIBBED SCREW	
51	59905091	1	ROD	
52	59900006	1	SUMP	
53	59900644	1	SCREW	
54	31411064	1	WASHER 6,4x12,5	
55	31241060	1	SELFLOCK NUT M6	
56	59900037	1	NUT COVER	
35a	59905016	1	TRIANGLE	
35b	59905017	1	TRIANGLE	

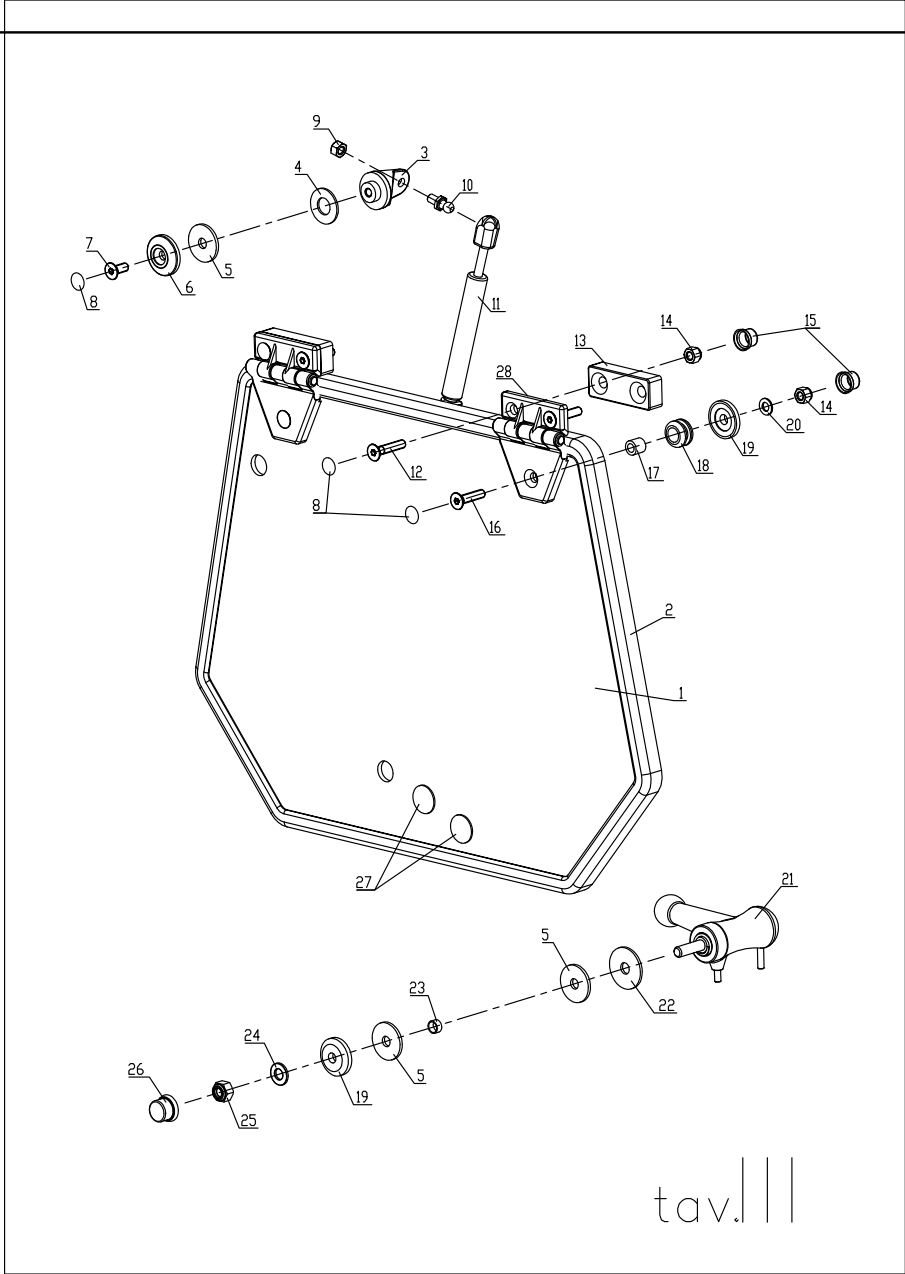
FRONT - SIDE GLASS "LOCHMANN"

tav.11



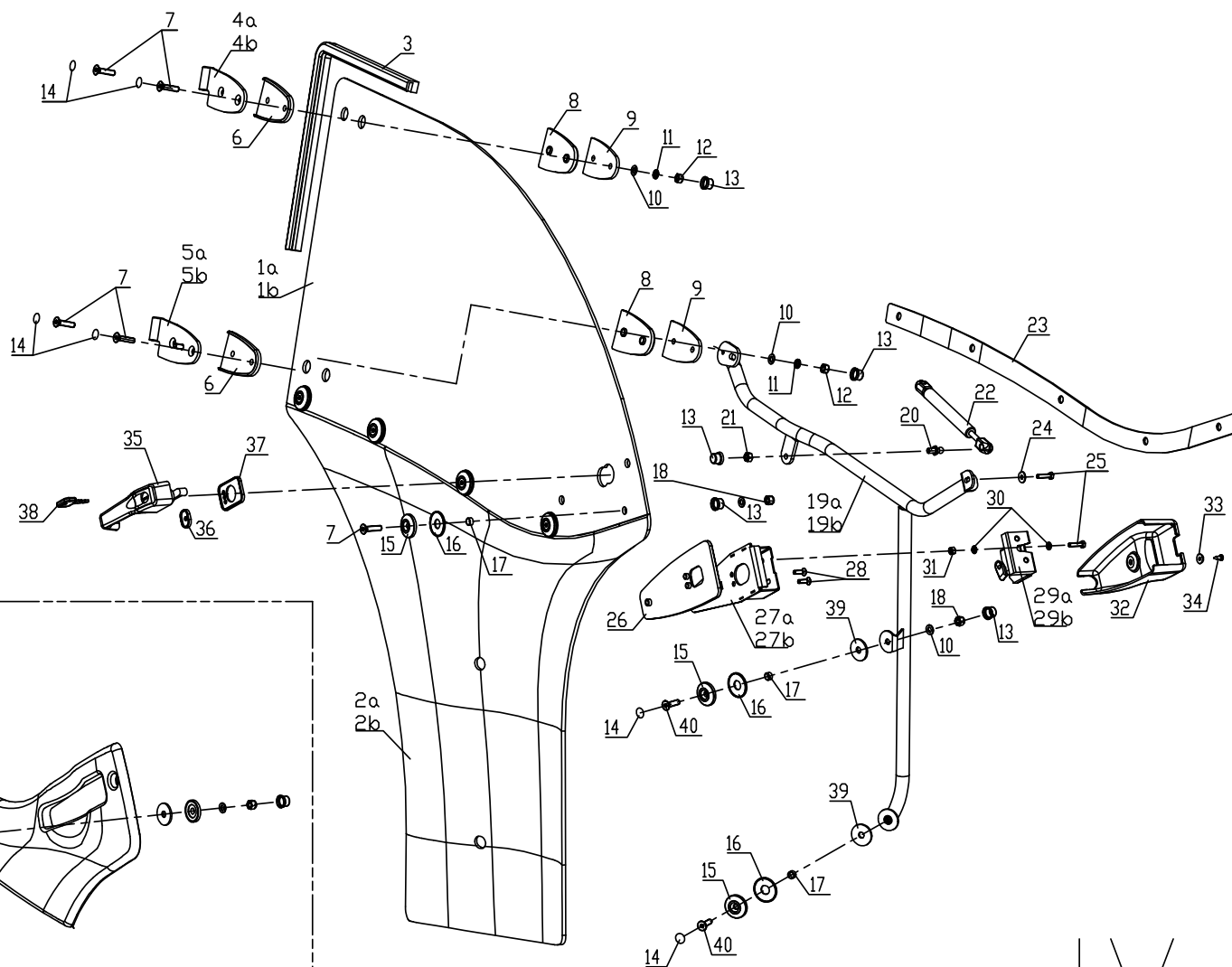
Pos.	Code	Q.ty	Description	Notes
1	59905000	1	FRONT GLASS	
2	59900112	1	GLASS GASKET	
3	59905021	4	RUBBER WASHER	
4	59900802	4	SPACER	
5	59900074	12	WASHER	
6	59900799	8	BOSS	
7	59905022	4	SCREW	
8	59900604	8	SCREW COVER	
9	59905023	1	WIPER MOTOR	
10	59905024	1	ARM	
11	59905261	1	SPAZZOLA BF6/7 (626020055)	
13	59900112	1	GLASS GASKET	
14	59900625	4	SCREW	
15	59900103	4	RING	
16	59900102	4	PLASTIC WASHER 10x36/8	
17	31411084	4	WASHER 8,4x17	
18	31241080	4	SELFLOCK NUT M8	
19	59900109	4	NUT COVER	
20	59905027	1	FRONT GLASS	
12a	59905025	1	RH SIDE GLASS	
12b	59905026	1	LH SIDE GLASS	
21a	59905028	1	RH SIDE GLASS	
21b	59905029	1	LH SIDE GLASS	
22a	57378896	1	HOSE CLIP	
22b	57378892	1	HOSE CLIP	

REAR GLASS "LOCHMANN"



tav. |||

Pos.	Code	Q.ty	Description	Notes
1	59905030	1	REAR GLASS	
2	59900112	1	GLASS GASKET	
3	59900101	1	CONNECTION	
4	59900629	1	WASHER	
5	59900074	3	WASHER	
6	59900799	1	BOSS	
7	59900628	1	SCREW	
8	59900604	7	SCREW COVER	
9	59900106	1	JOINT	
10	31241081	1	SELFLOCK NUT M8	
11	59905031	1	GAS SPRING	
12	59900625	4	SCREW	
13	59900621	2	SHIM	
14	31241080	6	SELFLOCK NUT M8	
15	59900604	6	SCREW COVER	
16	59900624	2	SCREW	
17	59900138	2	RING	
18	59900623	2	RUBBER RING	
19	59900102	3	PLASTIC WASHER 10x36/8	
20	31411084	2	WASHER 8,4x17	
21	59900094	1	HANDLE	
22	59900404	1	WASHER M10X36	
23	59900103	1	RING	
24	31411105	1	WASHER 10,5x21	
25	31241100	1	SELFLOCK NUT M10 6S	
26	59900108	1	NUT COVER	
27	59900576	1	PLUG	
28	59905122	1	RH HINGE	
29	59905032	1	REAR GLASS	



tav. V

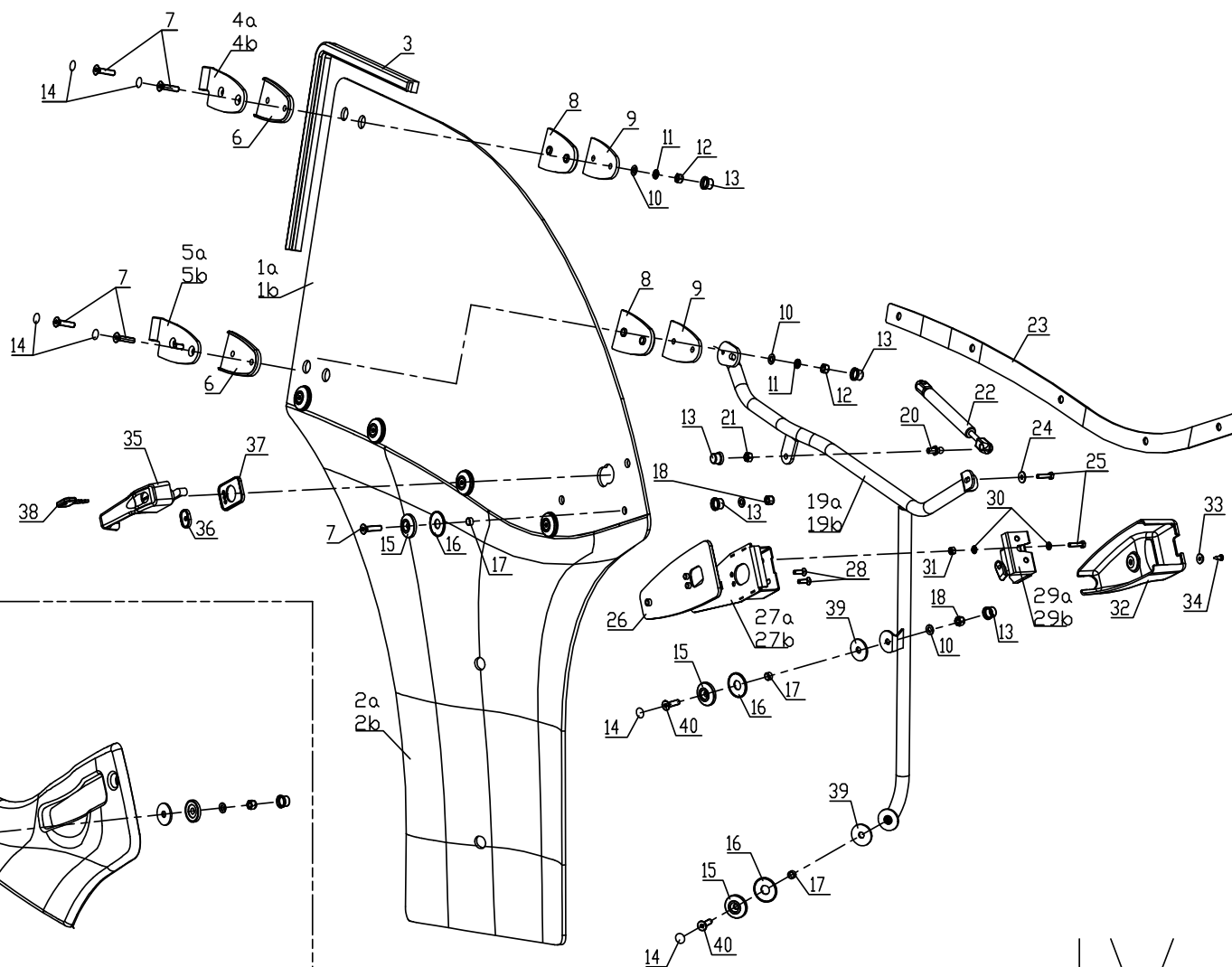
Pos.	Code	Q.ty	Description	Notes
3	59905037	1	GASKET	
6	59900425	2	GASKET	
7	59900624	9	SCREW	
8	59900426	2	GASKET	
9	59905042	2	PLATE	
10	31411084	10	WASHER 8,4x17	
11	59900117	4	WASHER 11,4	
12	31211060	4	NUT M6	
13	59900109	11	NUT COVER	
14	59900604	6	SCREW COVER	
15	59900799	7	BOSS	
16	59905043	7	RUBBER WASHER	
17	59900103	7	RING	
18	31241080	6	SELFLOCK NUT M8	
1a	59905033	1	RH DOORGLASS	
1b	59905034	1	LH DOORGLASS	
20	31241081	1	SELFLOCK NUT M8	
21	59900106	1	JOINT	
22	59900640	1	SPRING	
23	59905046	1	RIGA COL.VETRI POR.(703246856)	
24	59900398	1	WASHER M6X18	
25	59900432	3	SCREW	
26	59900641	1	S/BASE GOMMA SERR.T5 628014631	
28	59900644	2	SCREW	
2a	59905035	1	CAB DOOR RIGHT	
2b	59905036	1	CAB DOOR - LEFT	
30	31411064	4	WASHER 6,4x12,5	
31	31241060	2	SELFLOCK NUT M6	
32	59900647	1	LOCK COVER	
33	59900561	1	WASHER	
34	59905049	1	RIBBED SCREW	
35	59900649	1	DOOR HANDLE	
36	59900650	1	GASKET	
37	59900651	1	GASKET	

SERIAL

LEFT/RIGHT DOOR "LOCHMANN"

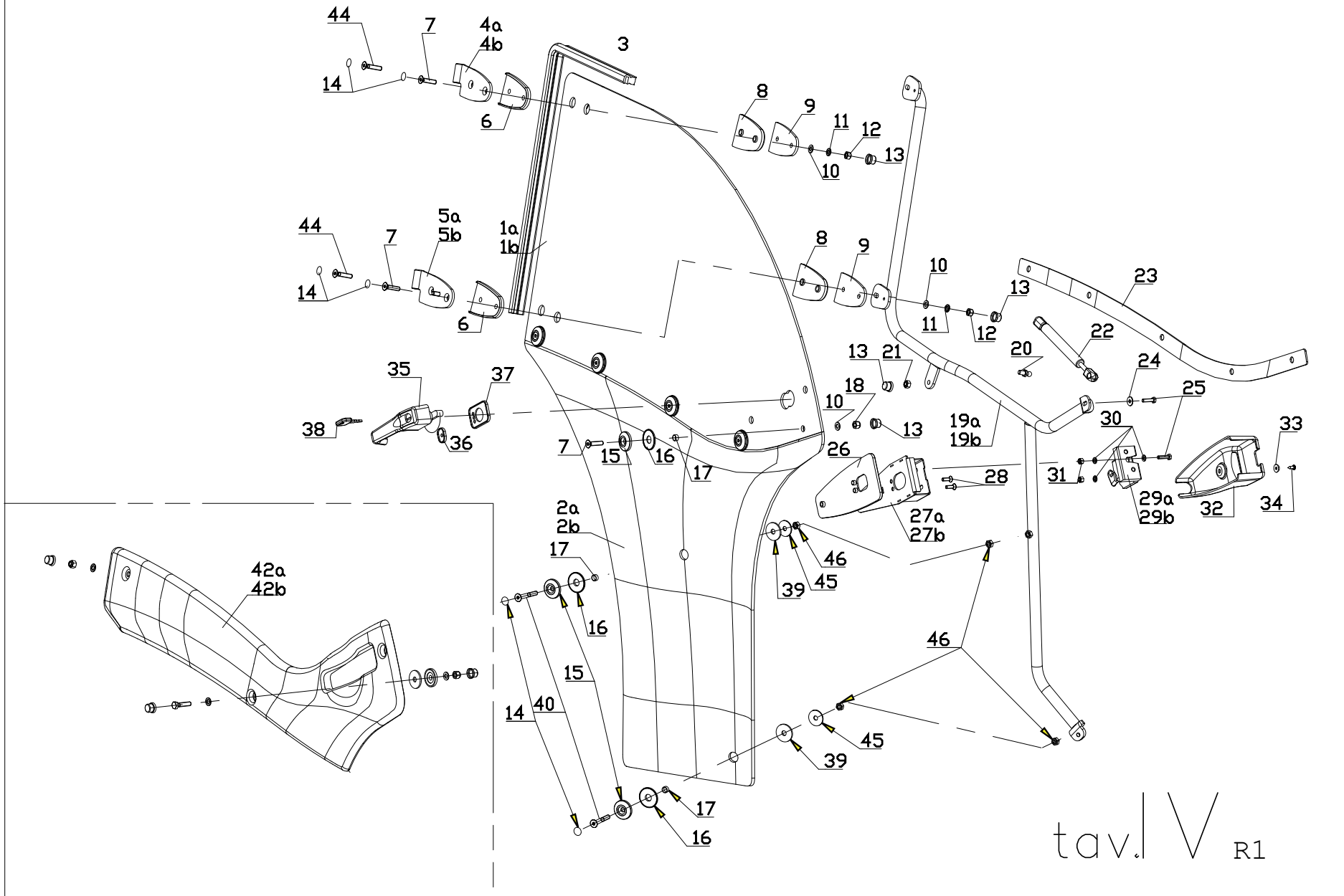
CODE REV

Y.02.04_0_43857



tav. V

Pos.	Code	Q.ty	Description	Notes
38	59900652	1	KEY	
39	59900074	2	WASHER	
40	F0862728000	2	SCREW M8x30 UNI 5933	
4a	59905038	1	RH HINGE	
4b	59905039	1	RH HINGE	
5a	59905040	1	RH HINGE	
5b	59905041	1	RH HINGE	
19a	59905001	1	DOOR HANDLE	
19b	59905045	1	DOOR HANDLE	
27a	59905047	1	SUPPORT	
27b	59905048	1	SUPPORT	
29a	59900646	1	LOCK SMALL BLOCK	
29b	59900645	1	LOCK SMALL BLOCK	
41a	59905050	1	CAB DOOR RIGHT	
41b	59905051	1	CAB DOOR - LEFT	
42a	57378888	1	HOSE CLIP	
42b	57378884	1	HOSE CLIP	



tav. | V R1

Pos.	Code	Q.ty	Description	Notes
3	59905037	1	GASKET	
6	59900425	2	GASKET	
7	59900624	7	SCREW	
8	59900426	2	GASKET	
9	59905042	2	PLATE	
10	31411084	9	WASHER 8,4x17	
11	59900117	4	WASHER 11,4	
12	31211060	4	NUT M6	
13	59900109	10	NUT COVER	
14	59900604	6	SCREW COVER	
15	59900799	7	BOSS	
16	59905043	7	RUBBER WASHER	
17	59900103	7	RING	
18	31241080	5	SELFLOCK NUT M8	
1a	59905033	1	RH DOORGLASS	
1b	59905034	1	LH DOORGLASS	
20	31241081	1	SELFLOCK NUT M8	
21	59900106	1	JOINT	
22	59900640	1	SPRING	
23	59905046	1	RIGA COL.VETRI POR.(703246856)	
24	59900398	1	WASHER M6X18	
25	59900432	3	SCREW	
26	59900641	1	S/BASE GOMMA SERR.T5 628014631	
28	59900644	2	SCREW	
2a	59905216	1	PORTA DX SOTTO V2 (623248262)	
2b	59905217	1	PORTA SX SOTTO V2 (623248263)	
30	31411064	4	WASHER 6,4x12,5	
31	31241060	2	SELFLOCK NUT M6	
32	59900647	1	LOCK COVER	
33	59900561	1	WASHER	
34	59905049	1	RIBBED SCREW	
35	59900649	1	DOOR HANDLE	
36	59900650	1	GASKET	
37	59900651	1	GASKET	

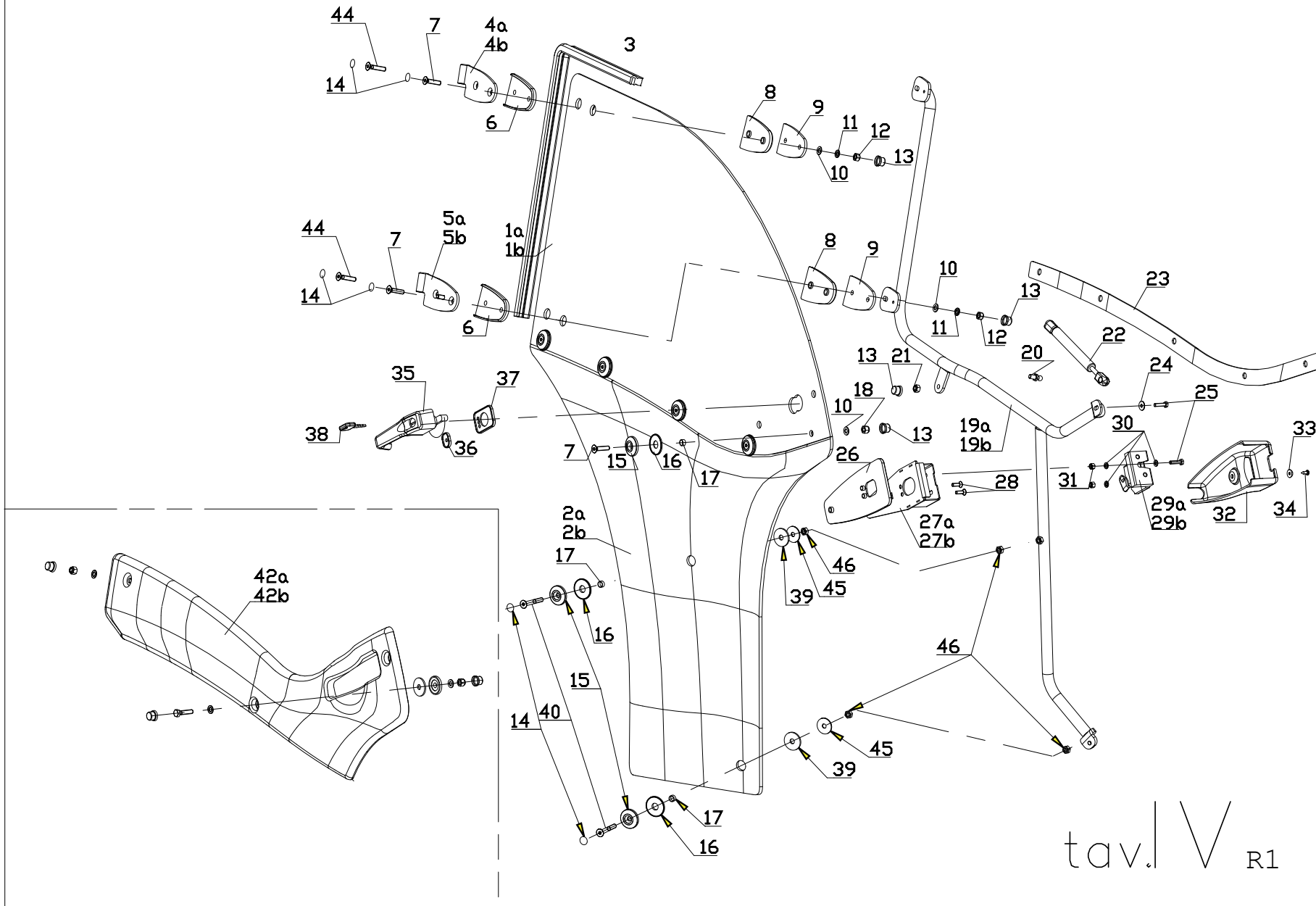
SERIAL

LEFT/RIGHT DOOR "LOCHMANN"

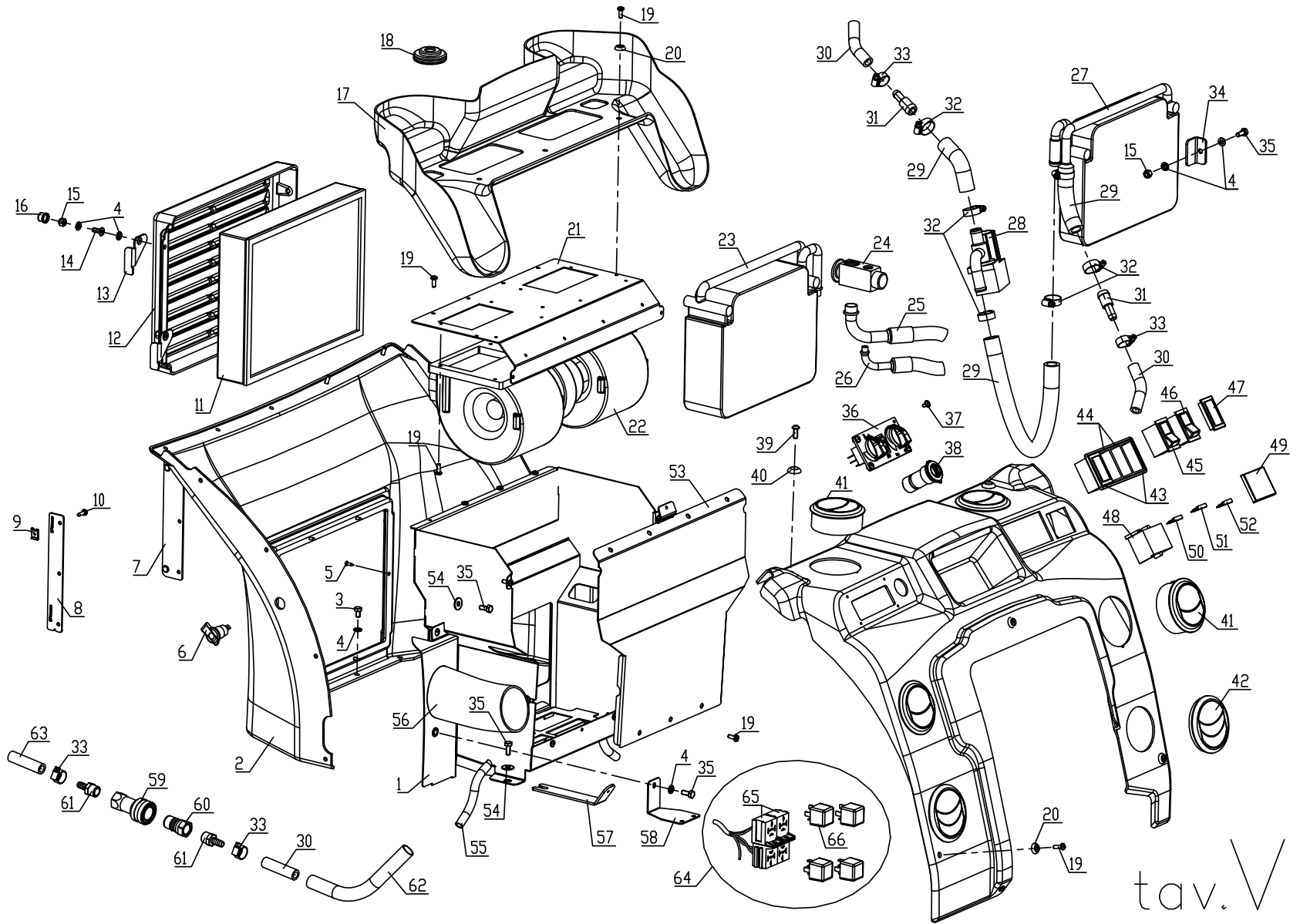
CODE REV

Y.02.04_1_75460

LEFT/RIGHT DOOR "LOCHMANN"



Pos.	Code	Q.ty	Description	Notes
38	59900652	1	KEY	
39	59900074	2	WASHER	
40	59905220	4	VTE TS PIANA (604080060)	
44	59900625	4	SCREW	
45	59905223	4	RONDELLA M8 D32 (611000832)	
46	31211060	2	NUT M6	
4a	59905038	1	RH HINGE	
4b	59905039	1	RH HINGE	
5a	59905040	1	RH HINGE	
5b	59905041	1	RH HINGE	
19a	59905218	1	MANIGL.PORTA DX V2 (703248247)	
19b	59905219	1	MANIGL.PORTA SX V2 (703248248)	
27a	59905047	1	SUPPORT	
27b	59905048	1	SUPPORT	
29a	59900646	1	LOCK SMALL BLOCK	
29b	59900645	1	LOCK SMALL BLOCK	
41a	59905221	1	PORTA CPL DX BF6V2 (706068262)	
41b	59905222	1	PORTA CPL SX BF6V2 (706068263)	
42a	57378888	1	HOSE CLIP	
42b	57378884	1	HOSE CLIP	



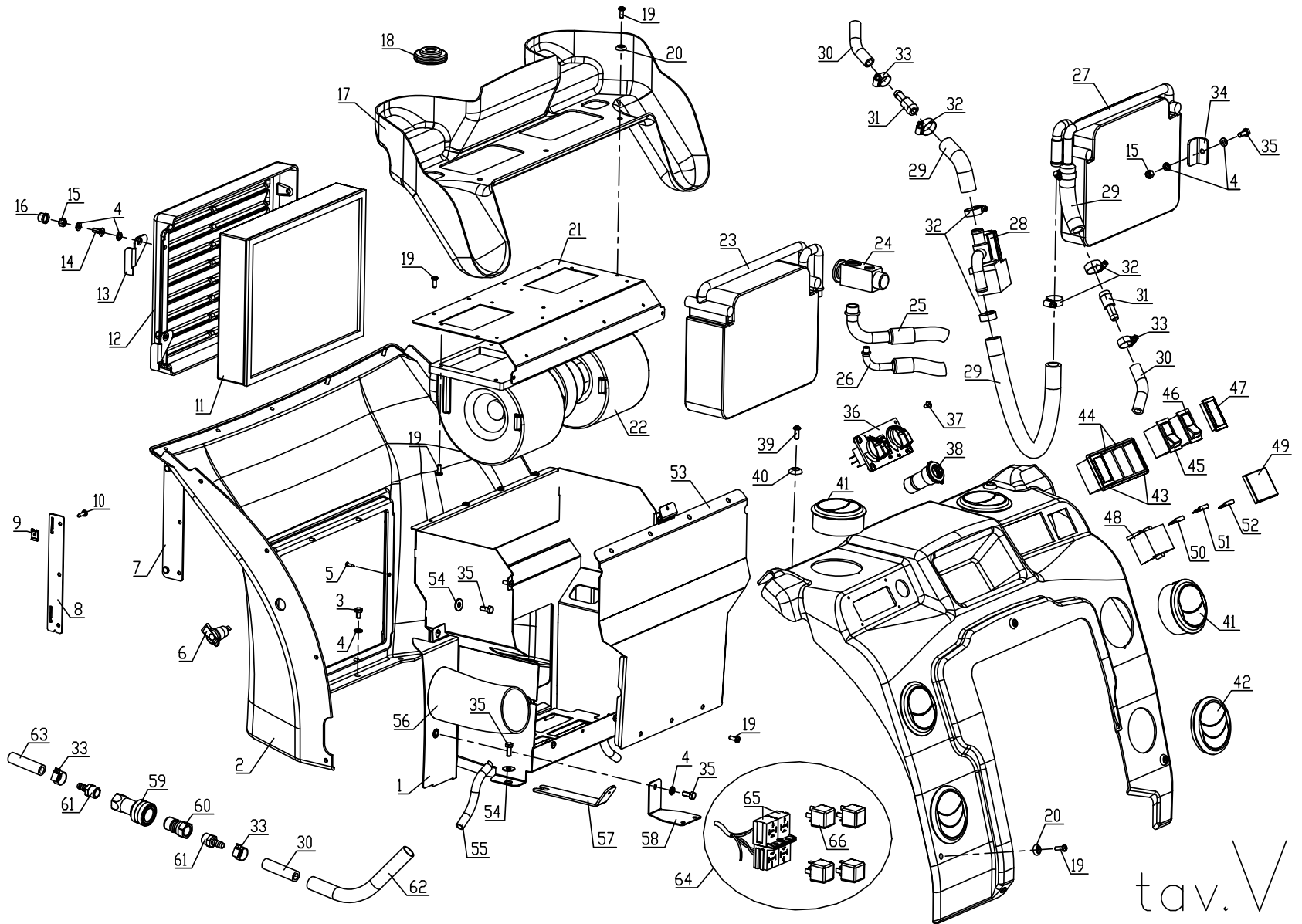
Pos.	Code	Q.ty	Description	Notes
1	59905052	1	BOX	
2	59905053	1	DIVISION	
3	59905054	7	SCREW	
4	31411064	14	WASHER 6,4x12,5	
5	59900699	6	SCREW	
6	59905055	1	SOCKET	
7	59905056	1	RH HINGE	
8	59905057	1	SMALL BLOCK	
9	59905058	2	STOP	
10	59905059	2	RIBBED SCREW	
11	59905060	1	FILTER	
12	59905061	1	COVER	
13	59905062	2	LEVER	
14	F0861972000	2	SCREW M6X10 UNI 5933	
15	31241060	4	SELFLOCK NUT M6	
16	59900037	2	NUT COVER	
17	59905063	1	DUCT	
18	59900469	2	PLUG	
19	59905006	1	RIBBED SCREW	
20	59900561	6	WASHER	
21	59905065	1	FAN BEARING	
22	59905066	1	ELECTRO-FAN	
23	59905067	1	VAPORIZER	
24	59905068	1	VALVE	
25	59905069	1	TUBO A.C.EVAP.COMP.(624990503)	
26	59905070	1	TUBO A.C.FILT.EV.(624990502)mr	
27	59905071	1	RADIATOR	
28	59905072	1	RADIATOR	
29	59905073	1	PIPE	
30	59900069	1	PIPE	
31	59905074	2	REDUCTION	
32	59905075	6	CLAMP	
33	59900071	6	PIPE CONNECTION	
34	59905076	2	FIXING BRACKET	

SERIAL

DASHBOARD - HEATING - AIR CONDITIONING "LOCHMANN"

CODE REV

Y.02.05_0_43906



Pos.	Code	Q.ty	Description	Notes
35	59900396	6	SCREW	
36	59905077	1	CONTROL	
37	59900467	4	RIBBED SCREW	
38	59905078	1	SOCKET	
39	59900750	2	SCREW	
40	59905079	2	WASHER	
41	59905080	4	PIPE UNION	
42	59900463	2	TONGUE	
43	59900051	2	SWITCH SUPPORT	
44	59900052	2	SWITCH SUPPORT	
45	59900054	1	SWITCH	
46	59900053	1	SWITCH	
47	59905081	2	PLUG	
48	59900058	1	FUSE-HOLDER	
49	59900057	1	COVER	
50	59900665	2	FUSE/LOCK	
51	59900667	2	FUSE/LOCK	
52	59900666	2	FUSE/LOCK	
53	59905082	1	COVER	
54	59900398	4	WASHER M6X18	
55	59900689	1	RUBBER HOSE	
56	59905083	1	PIPE	
57	59905084	1	FIXING BRACKET	
58	59905085	1	FIXING BRACKET	
59	59900018	2	CONNECTION	
60	59900019	2	CONNECTION	
61	59900020	4	PIPE FITTING	
62	59900704	2	SHEATH	
63	59900069	1	PIPE	
64	59905086	1	ELECTRICAL SYSTEM	
65	59905087	4	ZOCCOLO RELE' (622032213)	
66	59905088	4	RELAY	